

SV51 Series NAMUR Solenoid valve



Features

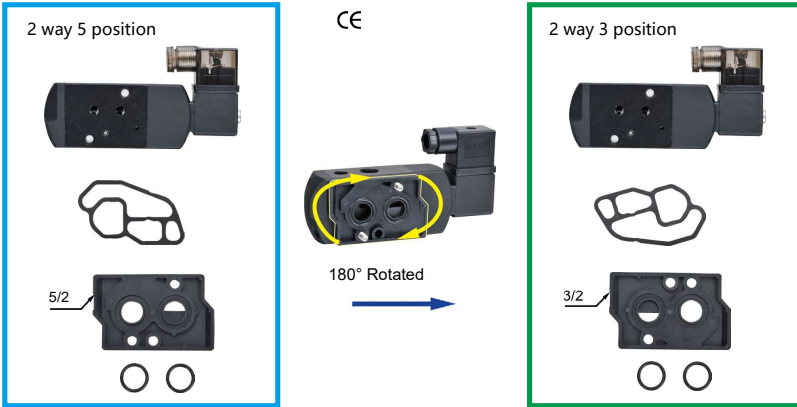
- Aluminum valve body, with thread connector and Namur interface.
- A slide valve can be assembled to 3/2 closed or 5/2 in order to control acting and single acting actuator.
- With manual override button.
- Coil can be rotated 360°.



Ordering Code

SV51	A02	DC24V	TYPE
Series Code	Coil Type	Standard Voltage	Coil Rating
SV51 Series	Blank: Single coil A02: Double coil	DC24V AC110V AC220V	Blank = IP67 Weather Proof EXP = CSA & FM Approved Explosion Proof

Install Instruction



Symbol



SV51 Series NAMUR Solenoid valve

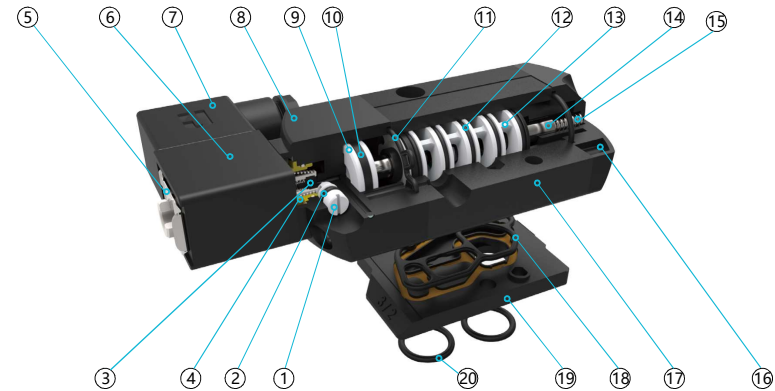
Specification

Working Pressure	2-10bar
Max Pressure	10bar
Flow Rate	700L/min
Medium	Air, Clean air
Ambient Temperature	-25°C to +60°C
Seal	NBR+PUR
Port Size	Inlet=1/4" NPT Exhaust=1/8" NPT

Feature

Coil Power	DC 3W; AC 4VA
Standard Voltage	DC24V; AC110V
Voltage Tolerance	±10%
Insulation Class	F
Protect Class	IP65
Operation	100%

Internal Structure



Parts

Number	Name	Number	Name
1	Manual Ride Spindle	11	Seal
2	O ring	12	O ring
3	Seal	13	Sleeve
4	Spring	14	Spool
5	Clip	15	Spring
6	Coil	16	End-cap
7	Terminal	17	Body
8	Pilot Set	18	Seal
9	Piston	19	Converting Plate
10	Piston Seal	20	O ring