



Pneumatic-Pneumatic Positioner TS610 Series

Fast response time and excellent stability

Simple zero and span adjustment

IP 66 enclosure

Low air consumption

By-pass valve (A/M switch) installed

Description

TS610 series Pneumatic-Pneumatic Positioner controls the valve stroke in response to an input signal pressure of 0.02~0.1Mpa from the controller.

Features



TS610L(Linear type)



TS610R(Rotary type)

- + Fast response time and excellent stability
- + Simple zero and span adjustment
- + IP 66 enclosure
- + Low air consumption
- + By-pass valve (A/M switch) installed
- + Position transmitter and Limit switch (Options)

Options



Option code No.1
TS610R with Dome cover



Option code No.2
TS610R with Position transmitter
(External TS500)



Option code No.3 and No.6
TS610R with Position transmitter
(External TS510)



Option code No.4
TS610R with Limit switch box
(External TS400)



Option code No.5
TS610R with Limit switch box
(External TS410)



Option code No.7
TS610R With external Limit switch
mounting device

Specifications

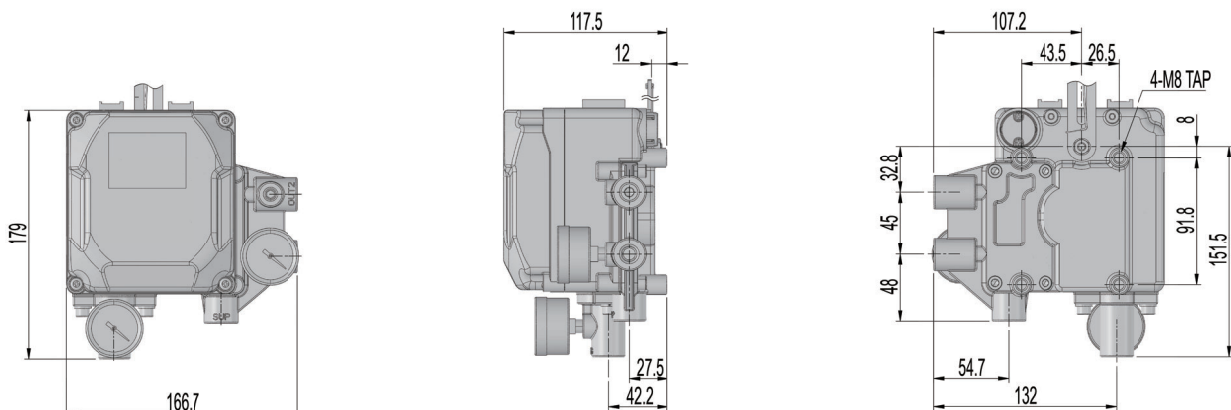
Model	TS610(Single)	TS610(Double)
Input signal	0.02~0.1Mpa	
Supply pressure	0.14~0.7MPa	
Stroke	10~150mm (Linear), 0~90°(Rotary)	
Air connection	PT1/4, NPT1/4, G1/4	
Gauge connection	NPT1/8	
Enclosure	IP66 (EN60529)	
Ambient Temp.	-20°C~70°C (Standard type)	
Linearity	±1.0% F.S.	±2.0% F.S.
Sensitivity	±0.2% F.S.	±0.5% F.S.
Hysteresis	±1.0% F.S.	
Repeatability	±0.5% F.S.	
Air consumption	Below 2.5LPM (Sup=0.14MPa)	
Flow capacity	Over 80LPM (Sup=0.14MPa)	
Material	Aluminum die cast	
Painting	Polyester powder coating	
Weight	2.8kg	

Product code

Model	TS610				
Acting type	Linear type	L			
	Rotary type	R			
Connection	PT1/4		1		
	NPT1/4		2		
	G1/4		3		
Lever (Linear type)	10 ~ 40mm			1	
	40 ~ 70mm			2	
	70~100mm			3	
	100~150mm			4	
Lever (Rotary type)	M6 x 39L			1	
	NAMUR			5	
Ambient Temp.	-20°C~70°C				S
	-20°C~120°C				H
	-40°C~70°C				L
	-60°C~70°C				U
Option	None				0
	With Dome cover				1
	External position transmitter (TS500)				2
	External Position transmitter (TS510)				3
	External Limit switch (TS400)				4
	External Limit switch (TS410)				5
	External Position transmitter and Limit switch (TS510)				6
With Limit switch mounting device				7	

*Option No.1~7 only available with TS610R(Rotary type).

Dimension [Unit:mm]



tissin

Solutions for control valve system

Tissin Co.,Ltd. (주)티씬

201-1105, No 397, Seokchen-ro, Ojeong-gu,
Bucheon-si, Gyeonggi-do, Korea 14449

Tel : +82-32-624-4573, Fax : +82-32-624-4574

www.tissin.co.kr



Version: PC-600EN_05/2023

We reserve the right to make technical changes or modify
the contents of this document without prior notice.

Copyright © 2023 Tissin
All rights reserved.

Printed in Korea