

The CP-11 Series valves are used for working under both high pressure and temperature service. Incorporated in the design, a bridle for pattern manometer and a back-seat allow the free packing change in service.

## Features & Benefits

- Male-Female connections
- Metal-to-metal shut-off
- Easy packing external adjustment
- Free packing change in service
- PTFE packing
- 100% tested

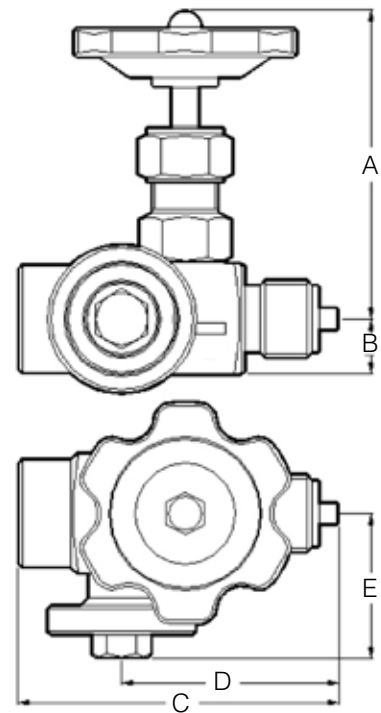
## Options

- Bleed screw in outlet
- Bar handle
- Graphoil packing for high temperatures



## Technical Data

Max. Pressure	Up to 6000 PSI (420 bar)	
Temperatures	-4°F / 752°F (-20°C / 400°C)	
Dimensions	1/4"	1/2"
A Opened	3.50	3.62
A Closed	3.22	3.22
B	0.49	.59
C (GAS-BSP)	2.95	3.38
C (NPT)	2.95	3.18
D (GAS-BSP)	1.97	2.32
D (NPT)	1.97	2.08
E	1.49	1.57
Orifice Size	0.10	0.10
Maximum Cv	0.1	0.1



## Order Codes

BSP	2200	2204
NPT	2201	2205

## Materials

No.	Part	Brass	Carbon Steel	Stainless Steel AISI-316	Special Alloys
1	Set Screw	AISI-304 (DIN1.4301)	AISI-304 (DIN1.4301)	AISI-304 (DIN1.4301)	AISI-304 (DIN1.4301)
2	Handle Washer	AISI-304 (DIN1.4301)	AISI-304 (DIN1.4301)	AISI-304 (DIN1.4301)	AISI-304 (DIN1.4301)
3	Handle Wheel	Black painted aluminum	Black painted aluminum	Black painted aluminum	Black painted aluminum
4	Nut	Brass (DIN1.7660)	F-112 (DIN1.1158)	AISI-316 (DIN1.4401)	AISI-316 (DIN1.4401)
5	Gland	Brass (DIN1.7660)	F-112 (DIN1.1158)	AISI-316 (DIN1.4401)	AISI-316 (DIN1.4401)
6	Packing	PTFE	PTFE or Graphoil	PTFE or Graphoil	PTFE or Graphoil
7	Bonnet	Brass (DIN1.7660)	F-112 (DIN1.1158)	AISI-316 (DIN1.4401)	Exotic Alloy
8	Stem	AISI-316 (DIN1.4401)	AISI-316 (DIN1.4401)	AISI-316 (DIN1.4401)	Exotic Alloy
9	Body	Brass (DIN1.7660)	F-112 (DIN1.1158)	AISI-316 (DIN1.4401)	Exotic Alloy
10	Bridle	Brass (DIN1.7660)	F-112 (DIN1.1158)	AISI-316 (DIN1.4401)	Exotic Alloy
11	Cap	Brass (DIN1.7660)	F-112 (DIN1.1158)	AISI-316 (DIN1.4401)	Exotic Alloy
12	Joint	PTFE	PTFE or Graphoil	PTFE or Graphoil	PTFE or Graphoil

## Special Alloys

Among the wide range of alloys existing, J Flow has selected those considered by our customers as most suitable, which we stock to ensure a quick and effective supply. If you do not find the required alloy or need further information about our exotic alloy valves, please contact our Technical Department.

AISI-316Ti (1.4571)

AISI-904L (1.4539)

Duplex (1.4462)

SuperDuplex (1.4410/1.4501)

254-SMO (1.4547)

Titanium Gr. 2 (1.7864)

Hastelloy C-276 (2.4819)

## Ordering Information

**Valve Code:** Look for it in the order codes chart on the previous page

**Option/s:** If required, add the code/s from the options section on the previous page

**Material:** Look for the code on the materials chart

### Example of valve and two options:

Needle valve CP-11 1/2" BSP with graphoil packing and bleed screw in outlet of AISI-316: The reference required to place the order is: 2204GPA4

## Tests

Each valve is tested with nitrogen at 100 bar for 15 seconds to check the leakage in the seat and the packing. Upon request, the corresponding materials and test certificates can be delivered with the valve.