



## STANDARDS

- Valve design: ASME B16.34
- Face to face: ASME B16.10
- Material certification: EN10204-3.1 MTR
- Quality assurance: ISO 9001:2008
- Steel casting: MSS SP-55
- Valve marking: MSS SP-25
- End connection: ASME B1.20.1

# J Flow Controls LD3700 Series Two Piece Ball Valves

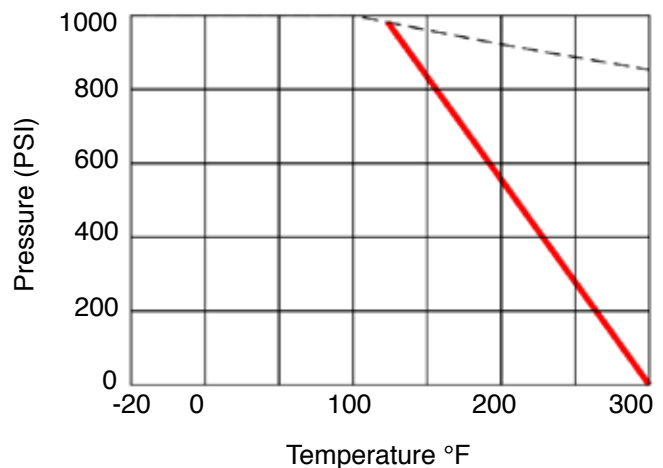
## FEATURES & BENEFITS

- For chemical and industrial applications
- Blow-out proof stem design
- 100% air tested under water at 80 - 100 psi
- Working pressure: 1000 psi (wog)
- Temperature range: -20°F to 300°F
- End type: NPT
- Pressure rating: 1000 psi (wog)

## OPTIONS

- Locking device
- Oval handle
- Butterfly handle

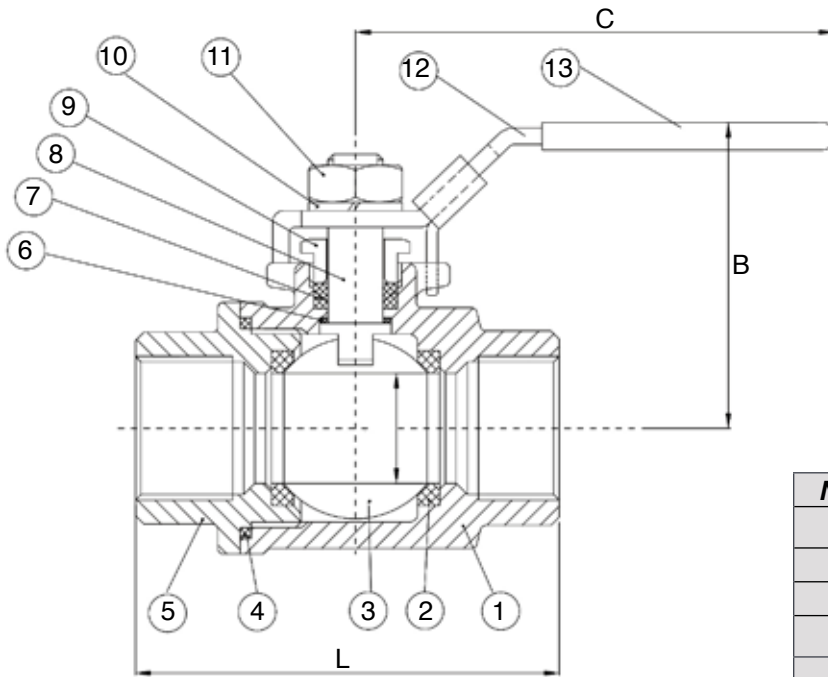
## PRESSURE/TEMPERATURE CHART



■ PTFE

## LD3700 Series Ball Valves

### BILL OF MATERIALS & DIMENSIONS



Size	L	A	B	C
1/4"	1.91	0.45	2.03	3.90
3/8"	1.91	0.49	2.03	3.90
1/2"	2.28	0.59	2.09	4.13
3/4"	2.52	0.79	2.20	4.13
1"	2.99	0.98	2.60	4.76
1-1/4"	3.43	1.26	2.91	5.39
1-1/2"	3.86	1.50	3.27	6.30
2"	4.92	1.97	3.62	7.48

No	Part Name	Materials
1	Body	CF8M
2	Seat	PTFE
3	Ball	SS316
4	gasket	PTFE
5	End Cap	CF8M
6	Thrust Washer	PTFE
7	Stem Packing	PTFE
8	Stem	SS316
9	Gland	SS304
10	Stem Washer	SS304
11	Handle Nut	SS304
12	Handle	SS304
13	Sleeve	Plastic

### HOW TO ORDER

Sizes	Series	Body, Ball & Stem	Port	Body Seal
1 1/4"	37	33 316S CF8M	F Full Port	F PTFE
2 3/8"				
3 1/2"				
4 3/4"				
5 1"				
0 1-1/4"				
6 1-1/2"				
7 2"				

Packing	Seat	End Connections	Options
F PTFE	F PTFE	FT Female NPT MT Female Metric THD	LD Locking Handle SE Stem Extension VB Vented Ball