



STANDARDS

- ISO 5211 direct mounting pad
- 100% air tested under water at 80 psi

DM2700 Series Top Entry Ball Valve

FEATURES & BENEFITS

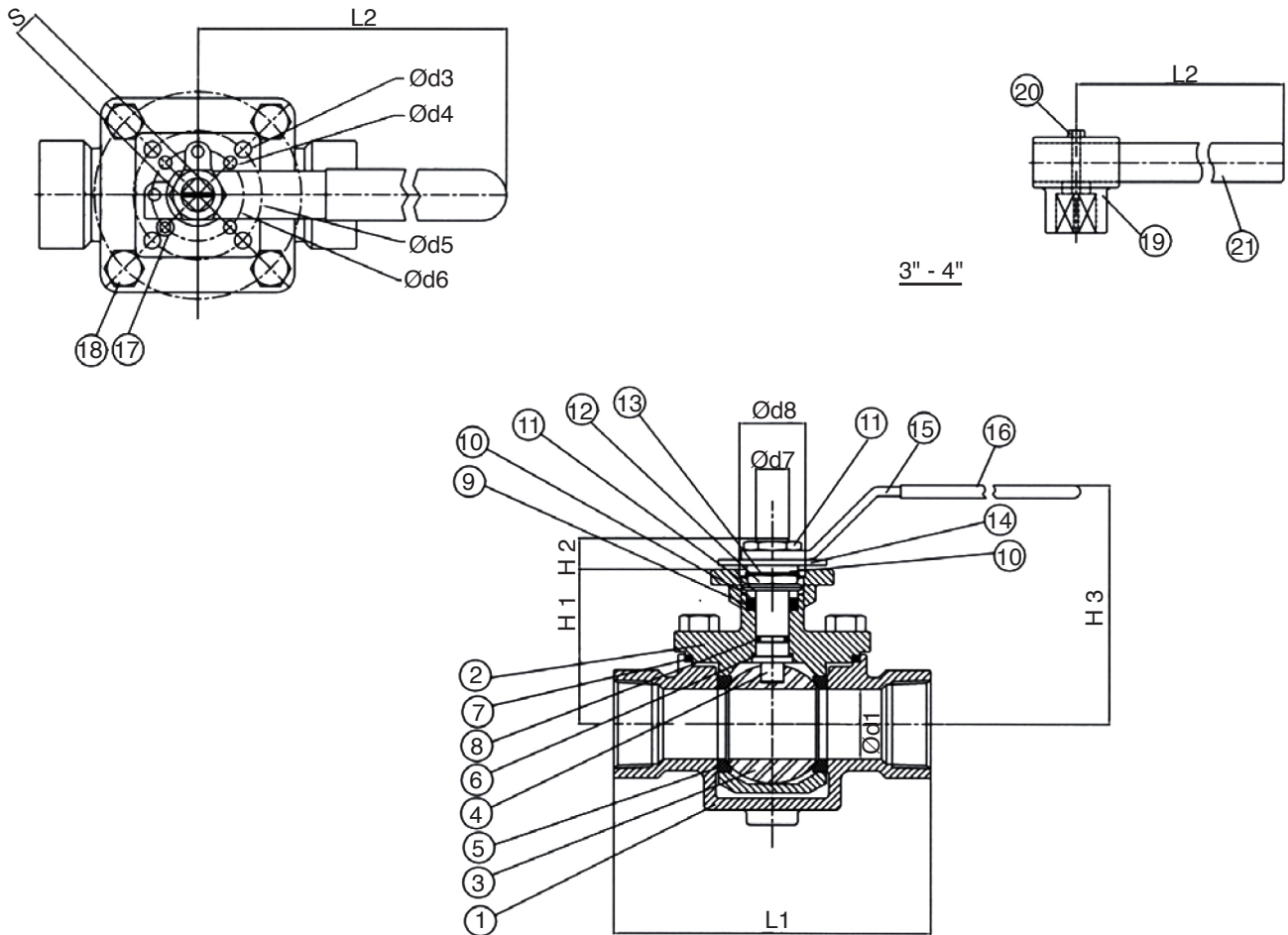
- Available in stainless steel or carbon steel
- Body and flange cap are investment cast
- Self-adjusting stem packing and blow-out proof stem design
- Working pressure: Class 300
- Temperature range: -20° to 1000°F
- Locking device
- Silicon free
- Top entry is convenient for in-line repair and cleaning the valve and components
- While the valve is in the "open" position, it is easy to draw out the bonnet with the ball and seat at one time without any other tools or devices
- While the valve is in the "closed" position, the ball and seat will be compressed together closely

APPLICATIONS & INDUSTRIES

- Natural gas
- LNG
- Crude oil
- Refined products transmission lines
- Offshore platforms
- Onshore terminals
- Metering stations
- Surge-relief skids
- Dirty/abrasive service
- General industrial applications
- General oil & gas applications

DM2700 Series Top Entry Ball Valve

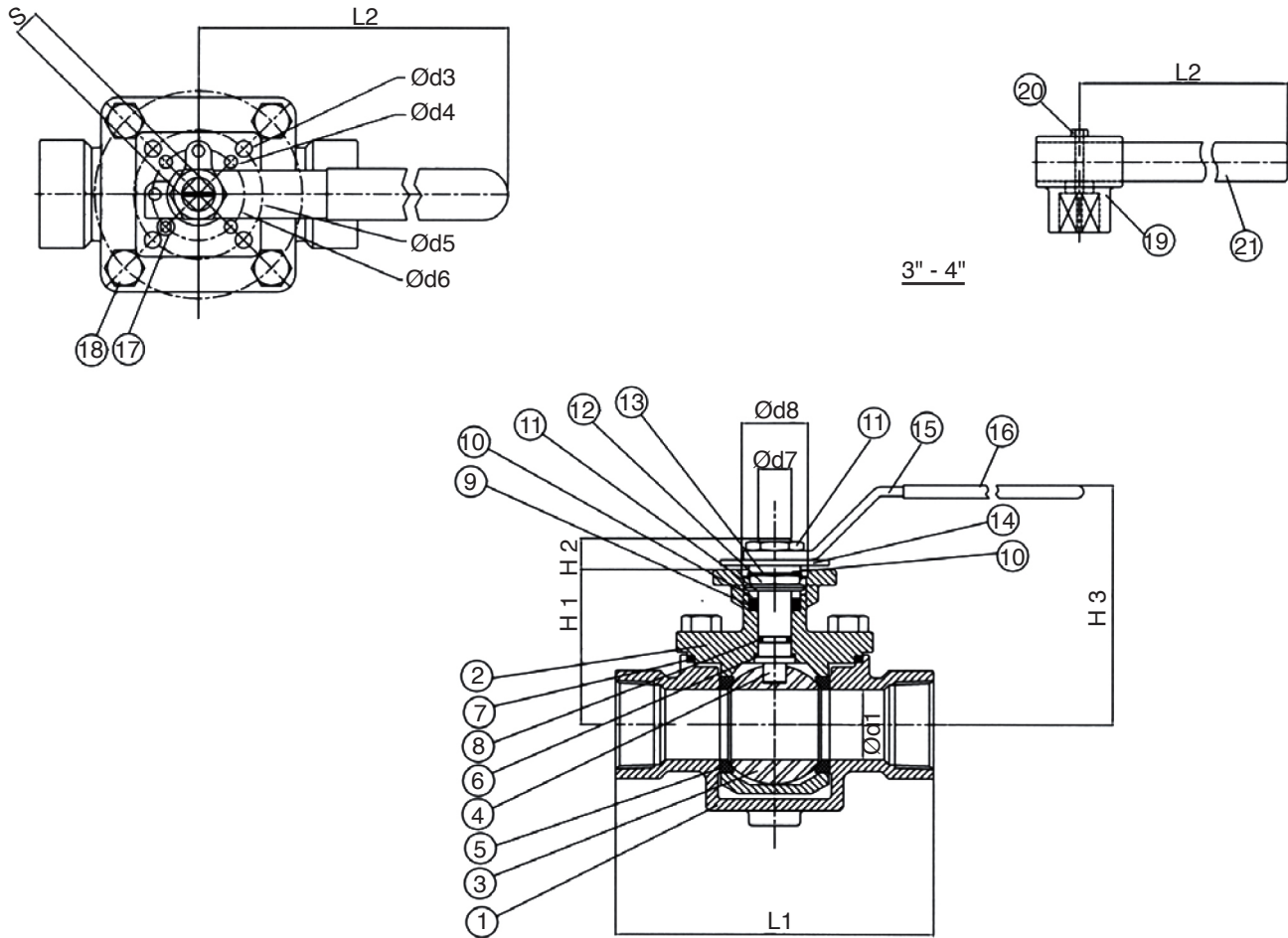
PARTS IDENTIFICATION - THREADED ENDS



Part No.	Description	Material	Option	Part No.	Description	Material	Option
1	Body (Socket Weld)	ASTM A351-CF8M	ASTM A216-WCB	12	Stem Nut	SS 304	
2	Bonnet	ASTM A351-CF8M	ASTM A216-WCB	13	Nut Stop	SS 304	
3	Ball	ASTM A351-CF8M	ASTM A351-CF8M	14	Stopper Plate	SS 304	
4	Stem	SS 316		15	Handle	SS 304	
5	Ball Seats	TFM 1600	PTFE+25%Carbon	16	Handle Cover	Plastic	
6	Thrust Washer	RPTFE		17	Stop Pin	SS 304	
7	Gasket	PTFE	Grafoil	18	Bonnet Bolts	Grade B8	Grade B7
8	O-Ring	Viton		19	Lever Head	ASTM A351-CF8	
9	Stem Packing	PTFE		20	Set Bolt	SS 304	
10	Space Washer	SS 304		21	Lever	Steel Pipe	
11	Disk Washer	SS 301					

DM2700 Series Top Entry Ball Valve

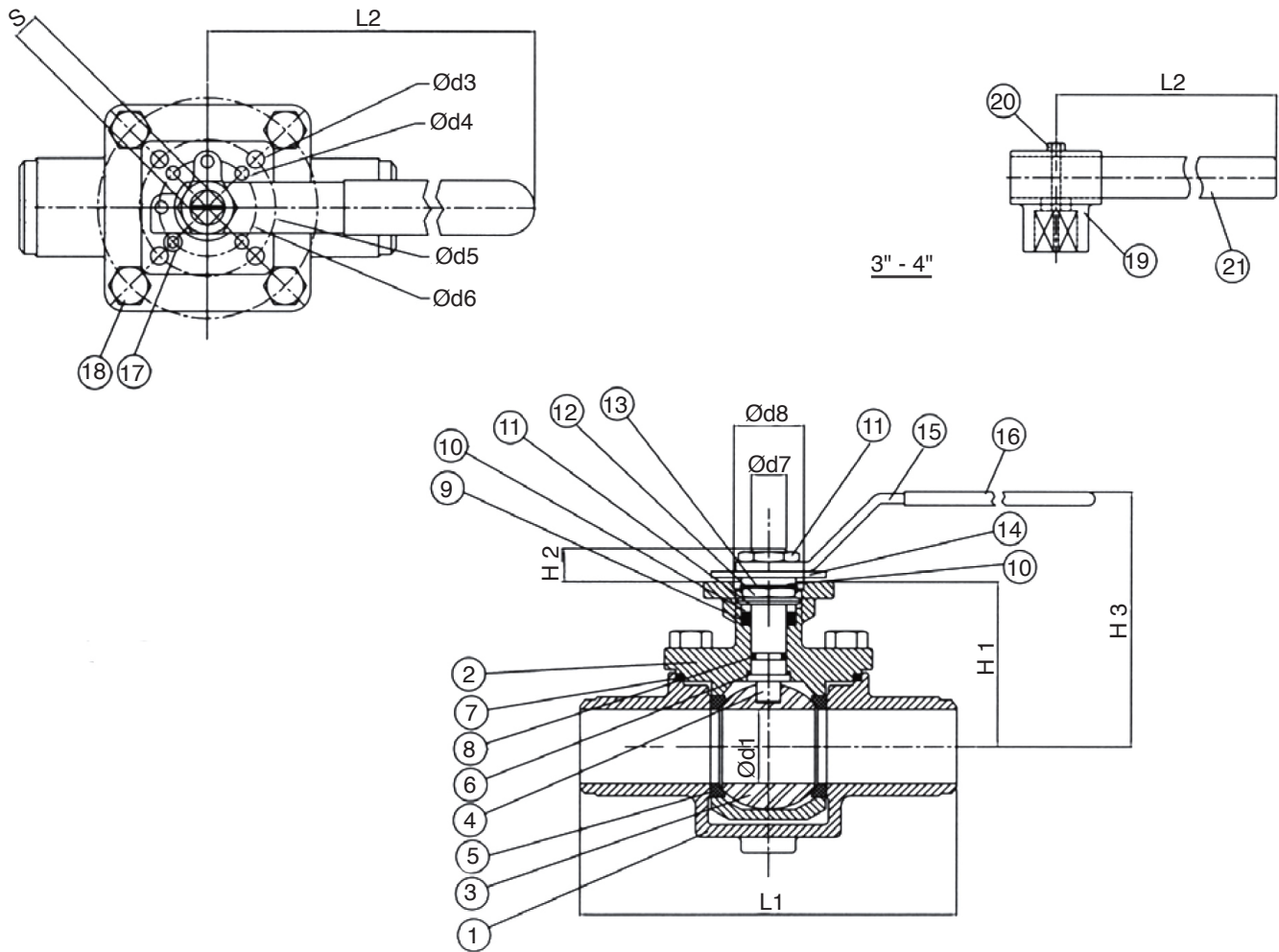
DIMENSIONS - THREADED ENDS



Size (in)	d1	d3	d4	d5	d6	d7	d8	H1	H2	H3	L1	L2	S
1/2"	0.77	0.28	0.24	1.97	1.65	M14	1.18	2.56	0.55	3.78	5.00	6.50	0.43
3/4"	0.77	0.28	0.24	1.97	1.65	M14	1.18	2.56	0.55	3.78	5.24	6.50	0.43
1"	0.77	0.28	0.24	1.97	1.65	M14	1.18	2.56	0.55	3.78	5.51	6.50	0.43
1-1/2"	1.26	0.36	0.28	2.76	1.97	M18	1.38	2.97	0.71	4.37	6.77	8.07	0.55
2"	1.50	0.36	0.28	2.76	1.97	M18	1.38	3.17	0.71	4.37	7.52	8.07	0.55
3"	2.25	0.45	0.36	4.02	2.76	M22	2.17	4.17	0.91	6.02	9.49	13.39	0.67
4"	3.00	0.45	0.36	4.02	2.76	M22	2.17	5.12	0.91	6.02	11.02	13.39	0.67

DM2700 Series Top Entry Ball Valve

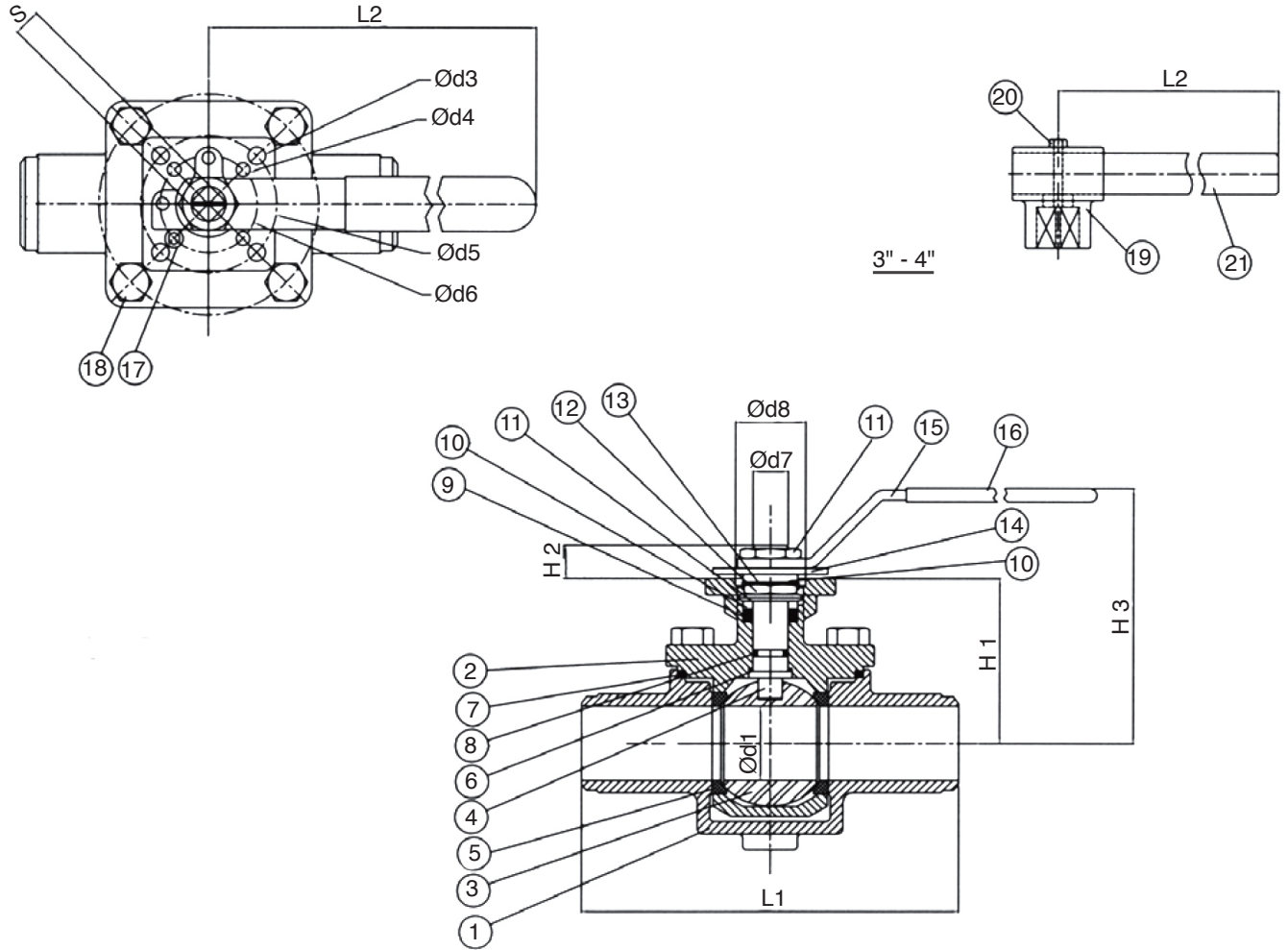
PARTS IDENTIFICATION - BUTT WELD ENDS



Part No.	Description	Material	Option	Part No.	Description	Material	Option
1	Body (Socket Weld)	ASTM A351-CF8M	ASTM A216-WCB	12	Stem Nut	SS 304	
2	Bonnet	ASTM A351-CF8M	ASTM A216-WCB	13	Nut Stop	SS 304	
3	Ball	ASTM A351-CF8M	ASTM A351-CF8M	14	Stopper Plate	SS 304	
4	Stem	SS 316		15	Handle	SS 304	
5	Ball Seats	TFM 1600	PTFE+25%Carbon	16	Handle Cover	Plastic	
6	Thrust Washer	RPTFE		17	Stop Pin	SS 304	
7	Gasket	PTFE	Grafoil	18	Bonnet Bolts	Grade B8	Grade B7
8	O-Ring	Viton		19	Lever Head	ASTM A351-CF8	
9	Stem Packing	PTFE		20	Set Bolt	SS 304	
10	Space Washer	SS 304		21	Lever	Steel Pipe	
11	Disk Washer	SS 301					

DM2700 Series Top Entry Ball Valve

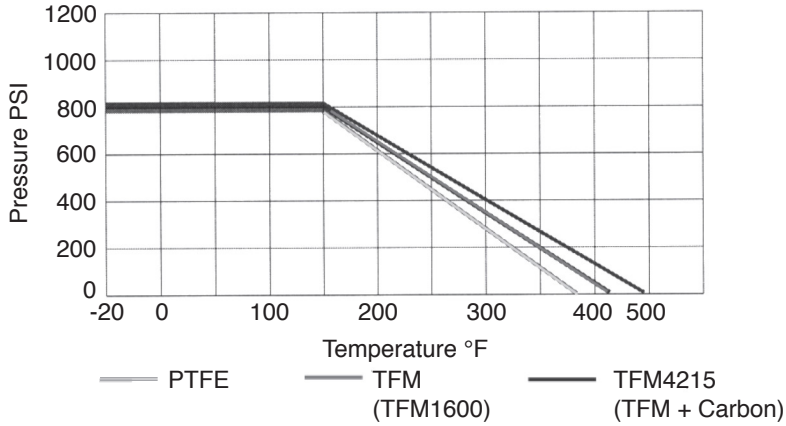
DIMENSIONS - BUTT WELD ENDS



Size (in)	d1	d3	d4	d5	d6	d7	d8	H1	H2	H3	L1	L2	S
1/2"	0.77	0.28	0.24	1.97	1.65	M14	1.18	2.56	0.55	3.78	5.51	6.50	0.43
3/4"	0.77	0.28	0.24	1.97	1.65	M14	1.18	2.56	0.55	3.78	5.98	6.50	0.43
1"	0.77	0.28	0.24	1.97	1.65	M14	1.18	2.56	0.55	3.78	6.50	6.50	0.43
1-1/2"	1.26	0.36	0.28	2.76	1.97	M18	1.38	2.97	0.71	4.37	7.52	8.07	0.55
2"	1.50	0.36	0.28	2.76	1.97	M18	1.38	3.17	0.71	4.37	8.50	8.07	0.55
3"	2.25	0.45	0.36	4.02	2.76	M22	2.17	4.17	0.91	6.02	11.14	13.39	0.67
4"	3.00	0.45	0.36	4.02	2.76	M22	2.17	5.12	0.91	6.02	12.00	13.39	0.67

DM2700 Series Top Entry Ball Valve

TEMPERATURE CHART



HOW TO ORDER

Series	Body Material ¹	Trim Material	Port	Packing	Seat
DM27	2 WCB/A015	3 Stainless Steel	R Reduced Port	G Graphoil T Teflon	C Ceramic
	3 316	4 Alloy 20			M Metal Seated
	A 304	5 Monel			T Teflon
	AL 304L	7 Hastelloy C			TM Super Teflon
	3L 316L	9 Duplex			TC Carbon-Super Teflon

End Connections	
F1	Flanged 150
F3	Flanged 300
S	Threaded
SW	Socket Weld
BW	Butt Weld

¹ Please see the J Flow Controls Configurator for a full list of material and accessories options

J Flow Controls®
4665 Interstate Drive
Cincinnati, OH 45246
513-330-6354
jflowcontrols.com

While the information and specifications contained in this literature are believed to be accurate, they are supplied for informative purposes only and should not be considered certified or a guarantee of satisfactory results. Nothing contained herein is to be construed as a warranty or guarantee, express or implied, regarding any matter with respect to this product. Because J Flow Controls® is continually improving and upgrading its product design, the specifications, dimensions and information contained herein are subject to change without notice.