



## STANDARDS

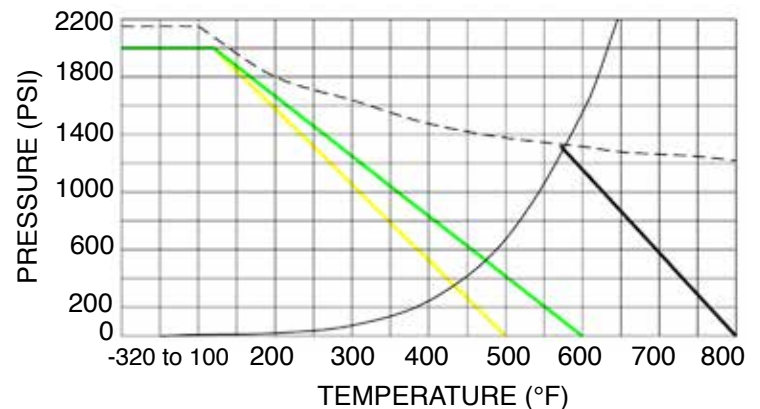
- Face to face dimension: ANSI B16.10
- Flanged dimension: ANSI B16.5
- Wall thickness: ANSI B16.34
- Flanged finish: MSS SP-6
- With ISO 5211 mounting pads
- Valve Marking: MSS SP25
- Steel Casting: MSS SP55

# J Flow Controls DBDM4600 Series Double Block & Bleed Ball Valve

## FEATURES & BENEFITS

- True double positive isolation
- Body and end caps are investment cast
- Self adjusting stem packing
- Blow-out proof stem design
- Working pressure of 2160 psi
- Temperature range of -320°F to 800°F
- With locking function
- MTR Reports available
- CRN numbers available

## PRESSURE/TEMPERATURE CHART



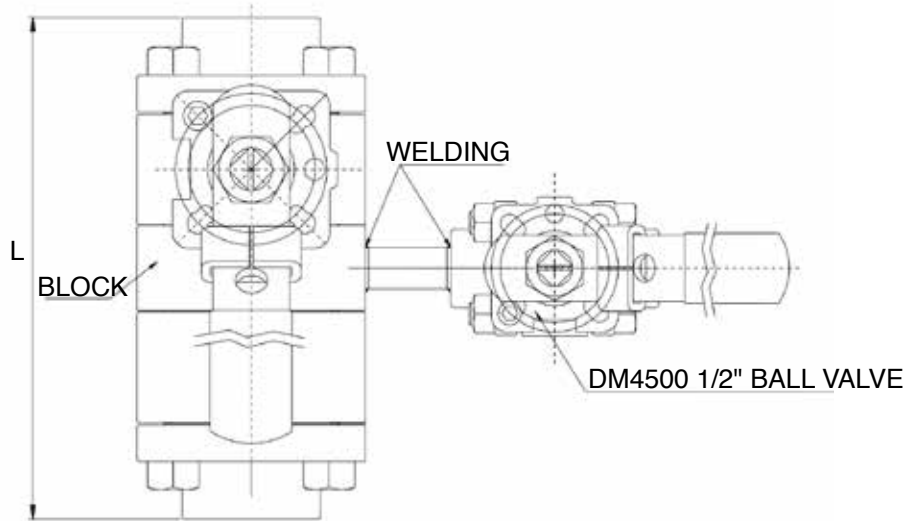
## OPTIONS

- Spring return (dead-man) handle
- V-ball for control valve (ball valve type)
- Cryogenic bonnet
- Fugitive emission bonnet
- PTFE / PFA coating (40 - 70 um)

- TFM1600
- TFM4215
- CF8M

## DBDM4600 Series Ball Valves

### DIMENSION



Size (in)	L
1/2	4.87
3/4	5.98
1	6.83
1-1/2	8.43
2	10.17

### HOW TO ORDER

Sizes	Series	Body <sup>1</sup> , Ball & Stem	Port	Body Seal	Packing
1 1/4"	<b>B46</b>	<b>00</b> CF8	<b>F</b> Full Port	<b>T</b> TFM 1600	<b>T</b> TFM 1600
2 3/8"		<b>0L</b> CF3		<b>C</b> TFM4215	<b>C</b> TFM4215
3 1/2"		<b>23</b> WCB, CF8M Ball & Stem		<b>G</b> Graphite	<b>G</b> Graphite
4 3/4"		<b>33</b> CF8M			
5 1"		<b>44</b> Alloy 20			
0 1-1/4"		<b>55</b> Monel			
6 1-1/2"		<b>6L</b> CF3M			
7 2"		<b>77</b> Hastelloy C			
8 3"		<b>88</b> LCB			
9 4"	<b>83</b> LCB, CF8M Ball & Stem				
		<b>99</b> Duplex			

Seat	End Connections	Options
<b>T</b> TFM 1600	<b>F1</b> ANSI 150 RF Flange	<b>LD</b> Locking Handle
<b>C</b> TFM4215	<b>F3</b> ANSI 300 RF Flange	<b>SH</b> Spring Handle
<b>M</b> Metal	<b>F6</b> ANSI 600 RF Flange	<b>GO</b> Gear Operator
	<b>B1</b> SW X FNPT (Block), FNPT (Bleed)	<b>BS</b> Bare Stem
	<b>B2</b> SW X SW (Block), FNPT (Bleed)	<b>FS</b> Fire Safe
	<b>B3</b> SW X SW (Block), SW (Bleed)	<b>FE</b> Fugitive Emission
		<b>SE</b> Stem Extension
		<b>VB</b> Vented Ball

<sup>1</sup>Please see the J Flow Controls Configurator for a full list of design options