



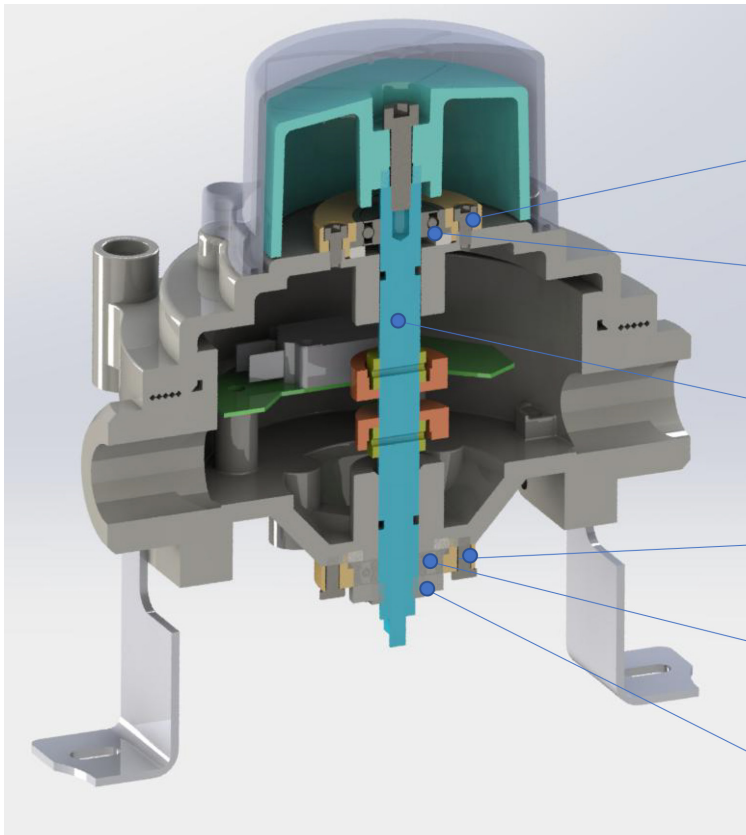
- ATEX, IECEx, EAC, CCOE, INMETRO  
Ex II 2GD Ex db IIC T4/T5/T6 Gb  
Ex tb IIIC T135/T100/365°F Db  
Ta: -67°F ≤ Ta ≤ 221°F / 176°F / 140°F
- UL (available on SK series only):  
Class I Division 1 Groups A, B, C, D  
Division 2 Groups A, B, C, D  
Class II Division 1 Groups E, F, G  
Division 2 Groups F, G
- SIL Certificate: up to SIL 3

## J Flow Controls **JFS-5 Series** High Frequency Use Limit Switches

### **FEATURES & BENEFITS**

- | Temperature: -40 to +176°F standard; 67 to +221°F available upon request
- | Protection rating: IP 66/68 15 m for 100 hours; NEMA 4, 4X on request
- | Compact limit switch box for hazardous areas, with explosion-proof protection
- | Twin shaft design
- | Metallic self-lubricant bushings
- | Aluminum or 316L Stainless Steel housing option for maximum corrosion protection
- | Two cable entries, either metric or imperial
- | Adjustable mounting kit for NAMUR actuators available upon request
- | Easy wiring through the terminal PCB board
- | Suitable for arctic environments

## CROSS SECTIONAL VIEW



Upper bearing seat

Deep groove ball bearing

Principal axis

Lower bearing seat

Deep groove ball bearing

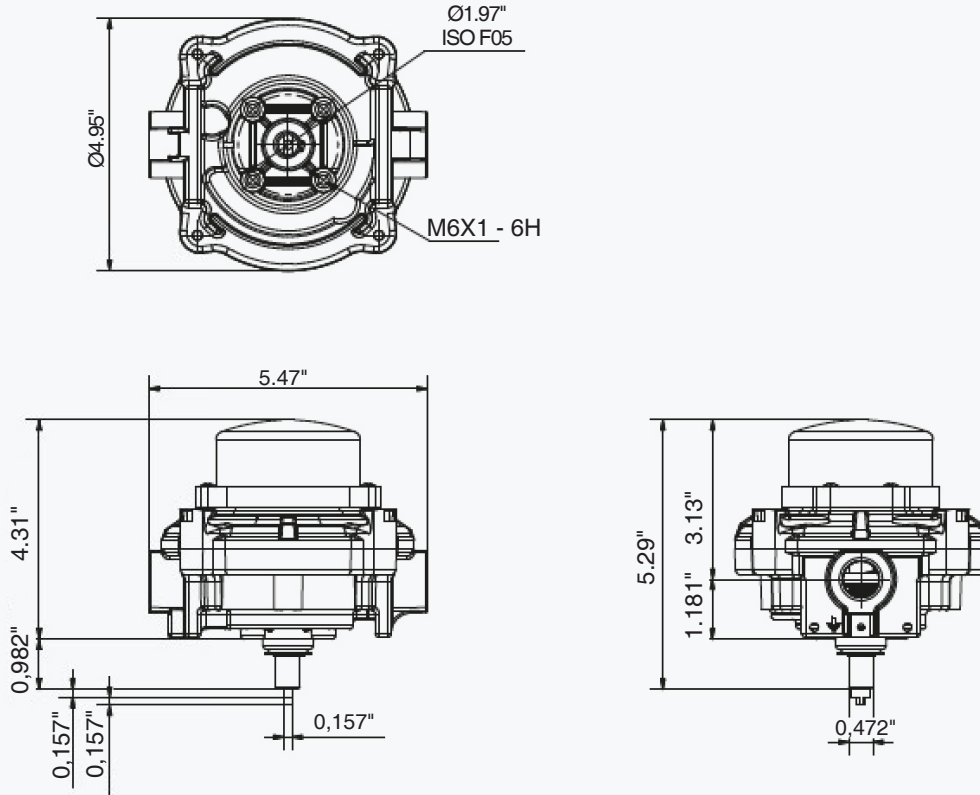
Lock nut

## ORDERING SCHEMATIC

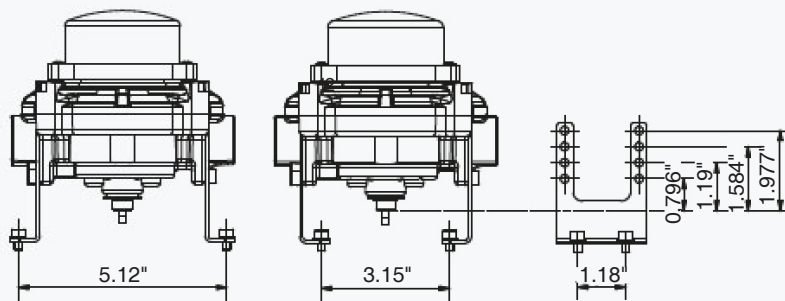
Part Number	Description
JFS-510N	2-SPDT Mechanical 15A-250VAC
JFS-514N	2-DPDT Mechanical 10A-250VAC
JFS-531N	2-SPDT Proximity 0.25A-120VAC
JFS-516N	2-SPDT Mechanical 15A-250VAC, with 4-20mA position transmitter

# JFS-5 Series High Frequency Use Limit Switches

## DIMENSION DETAILS



## Optional Adjustable Mounting Kit for NAMUR Actuators



4665 Interstate Drive • Cincinnati, OH 45246  
513-731-2900  
jflowcontrols.com

While the information and specifications contained in this literature are believed to be accurate, they are supplied for informative purposes only and should not be considered certified or a guarantee of satisfactory results. Nothing contained herein is to be construed as a warranty or guarantee, express or implied, regarding any matter with respect to this product. Because J Flow Controls® is continually improving and upgrading its product design, the specifications, dimensions and information contained herein are subject to change without notice.