



JFS-431N Series proximity switch, Type 4, 4, IP67 limit switch, (2) SPDT, 2A resistive max, 230V A C/DC max proximity reed switches, (2) 1/2" NPT conduit entries with red close and yellow open dome indicator

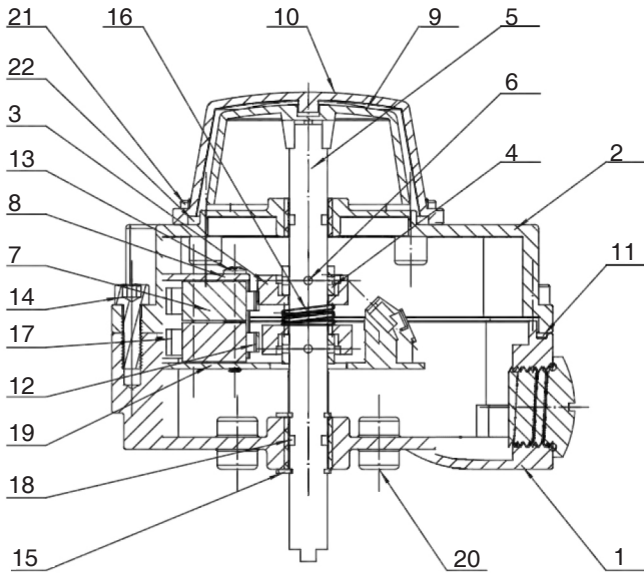
J Flow Controls **JFS-431N Series** Proximity Limit Switch

FEATURES & BENEFITS

- | (2) SPDT hermetically sealed proximity switches. Can be used in a Class 1, Division 2, Groups A, B, C & D IP 67 Rating
- | Aluminum die cast enclosure, powder coated from superior corrosion protection
- | Polycarbonate dome - shatterproof
- | Red (close) and Yellow (open) indicator
- | Color coded cams for easy indication and setting
- | Circuit board eliminates internal wiring and laminated for corrosion protection
- | Solenoid termination - standard
- | Anti-vibration spline cams
- | Two 1/2" NPT conduit entries
- | Temperature -4° to +146°F
- | SST NAMUR bracket included (30x80x20 standard)

JFS-431N Series Proximity Limit Switch

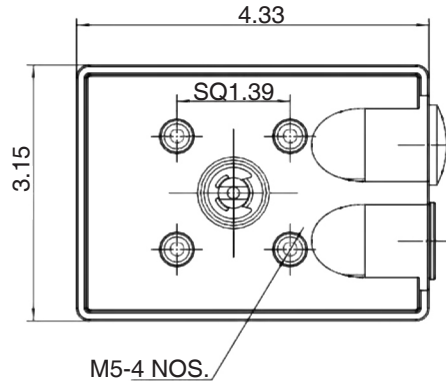
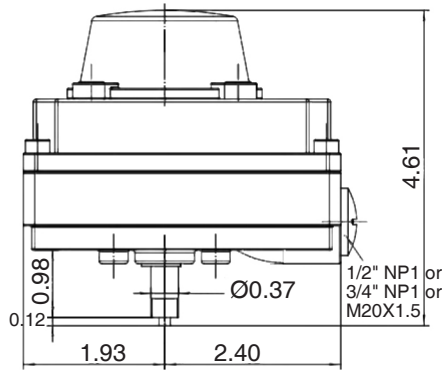
CROSS SECTION



MATERIALS OF CONSTRUCTION

No	Description	Qty	Material
1	Housing	1	Aluminum Alloy
2	Cover	1	Aluminum Alloy
3	Cam	2	Polycarbonate
4	Cam-Lock	2	POM
5	Shaft	1	Stainless Steel
6	Spring Dowel	2	Spring Steel
7	MSwitch	2	-
8	Connector Strip-6 Way	1	Polymide
9	Indicator	1	ABS Plastic
10	Indicator Cover	1	Polycarbonate
11	Gasket	1	NBR
12	Screw for Microswitch	2	Stainless Steel
13	Screw for Conn. Strip	2	Stainless Steel
14	Screw for Cover	4	Stainless Steel
15	'E' Type Circlip	1	Spring Steel
16	Spring	1	Stainless Steel
17	Pad	1	Polyamide
18	'O' Ring	2	NBR
19	Circuit Board	1	-
20	Screw for Earthing	2	Stainless Steel
21	Philips Head Screw	4	Stainless Steel
22	'O' Ring	1	NBR

DIMENSION DETAILS



WIRING DIAGRAM

