



## **STANDARDS**

- ANSI / ASME B16.34
- End connections: ASME B1.20.1, ASME B16.11, ASME B16.25
- Material certification EN10204-3.1 MTR
- Steel casting: MSS SP-55
- Valve marking: MSS SP-25
- Direct mount: ISO 5211
- Stem connection: DIN 3337
- Class (pressure rating): Class 400

# **J Flow Controls DM3844 Series**

## **Direct Mount 2 Piece Alloy Ball Valve**

### **FEATURES & BENEFITS**

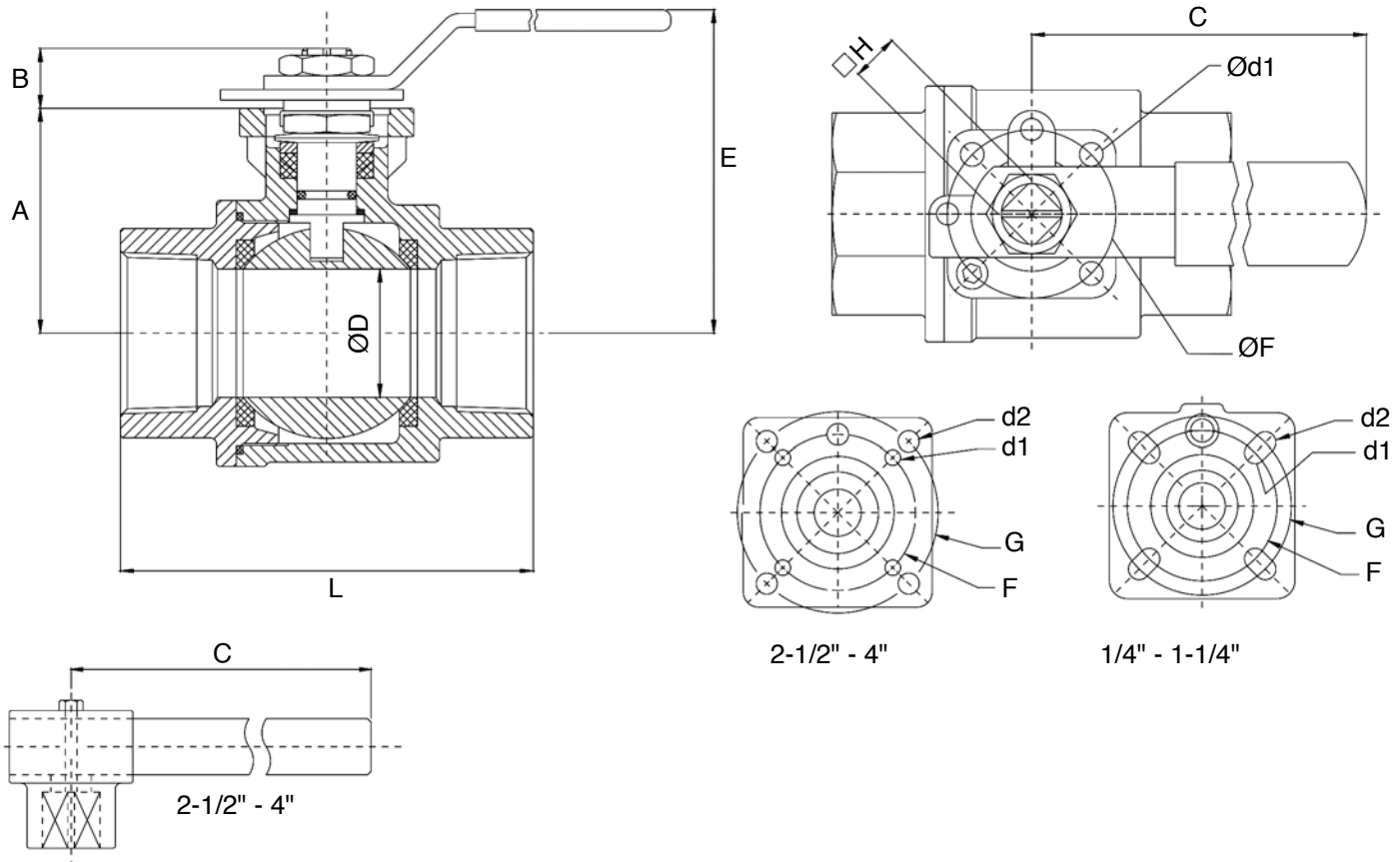
- Body and end caps quality investment casting
- ISO 5211 direct mounting pad
- Adjustable stem packing
- Stocked in alloy material
- Blow-out proof stem design
- 100% air tested under water at 80 - 100 psi
- Working pressure of 600 / 800 / 1000 psi
- Temperature range from -20°F to 300°F
- Locking function
- End type: NPT / BSPT

### **OPTIONS**

- Spring return (dead man) handle
- Extended stem for thermal insulation
- Oval handle
- Automation application
- PTFE / PFA coating (40 - 70 um)

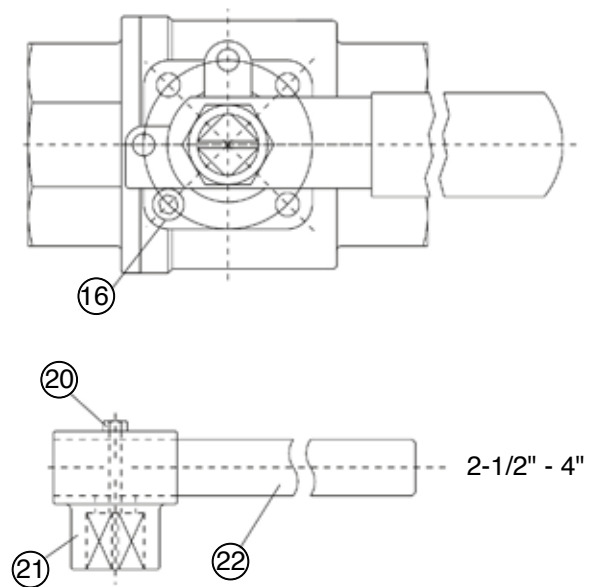
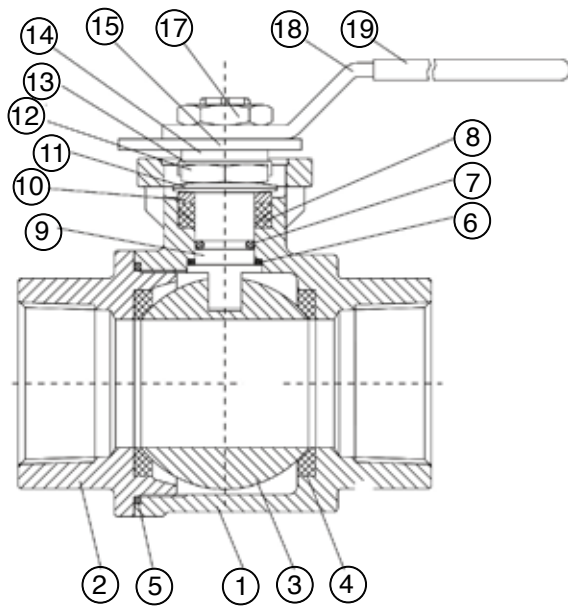
# DM3844 Series Ball Valves

## DIMENSIONS



| Size (in) | A    | B    | C     | D    | d1   | d2   | E    | F    | G    | H    | L    |
|-----------|------|------|-------|------|------|------|------|------|------|------|------|
| 1/4       | 1.46 | 0.35 | 5.12  | 0.43 | 0.24 | 0.24 | 2.60 | 1.42 | 1.65 | 0.35 | 2.22 |
| 3/8       | 1.46 | 0.35 | 5.12  | 0.49 | 0.24 | 0.24 | 2.60 | 1.42 | 1.65 | 0.35 | 2.22 |
| 1/2       | 1.46 | 0.35 | 5.12  | 0.59 | 0.24 | 0.24 | 2.60 | 1.42 | 1.65 | 0.35 | 2.32 |
| 3/4       | 1.57 | 0.43 | 5.12  | 0.79 | 0.24 | 0.24 | 2.72 | 1.42 | 1.65 | 0.35 | 2.81 |
| 1         | 1.89 | 0.55 | 6.30  | 0.98 | 0.24 | 0.28 | 3.15 | 1.65 | 1.97 | 0.43 | 3.13 |
| 1-1/4     | 2.11 | 0.55 | 6.30  | 1.26 | 0.24 | 0.28 | 3.35 | 1.65 | 1.97 | 0.43 | 3.62 |
| 1-1/2     | 2.50 | 0.71 | 8.07  | 1.50 | 0.28 | -    | 3.86 | 1.97 | -    | 0.55 | 4.11 |
| 2         | 2.83 | 0.71 | 8.07  | 1.97 | 0.28 | -    | 4.17 | 1.97 | -    | 0.55 | 4.86 |
| 2-1/2     | 3.68 | 0.71 | 12.20 | 2.50 | 0.35 | 0.45 | 5.79 | 2.76 | 4.02 | 0.67 | 6.54 |
| 3         | 4.09 | 0.71 | 12.20 | 3.07 | 0.35 | 0.45 | 6.18 | 2.76 | 4.02 | 0.67 | 7.28 |
| 4         | 5.20 | 1.02 | 13.78 | 3.90 | 0.45 | 0.53 | 7.60 | 4.02 | 4.92 | 0.87 | 8.62 |

## PARTS IDENTIFICATION



| Part No. | Name          | Material | Part No. | Name        | Stainless Steel |
|----------|---------------|----------|----------|-------------|-----------------|
| 1        | Body          | Alloy    | 12       | Stem Nut    | SS 304          |
| 2        | End Cap       | Alloy    | 13       | Nut Stop    | SS 304          |
| 3        | Ball          | SS 316   | 14       | Face Washer | SS 304          |
| 4        | Seat          | PTFE     | 15       | Plater      | SS 304          |
| 5        | Gasket        | PTFE     | 16       | Stop Pin    | SS 304          |
| 6        | Thrust Washer | RPTFE    | 17       | Handle Nut  | SS 304          |
| 7        | O-Ring        | Viton    | 18       | Handle      | SS 304          |
| 8        | Stem Packing  | SS 316   | 19       | Sleeve      | Plastic         |
| 9        | Stem          | SS 304   | 20       | Set Bolt    | SS 304          |
| 10       | Gland         | SS 301   | 21       | Lever Head  | CF8             |
| 11       | Disk Washer   | SS 304   | 22       | Lever       | Steel Pipe      |

## BREAK-TORQUE VALUE (IN-LB AT 0 PSI)

| Size   | 1/4" | 3/8" | 1/2" | 3/4" | 1" | 1-1/4" | 1-1/2" | 2"  | 2-1/2" | 3"  | 4"  |
|--------|------|------|------|------|----|--------|--------|-----|--------|-----|-----|
| Grease | 53   | 53   | 62   | 80   | 97 | 124    | 257    | 327 | 637    | 832 | 929 |

Note 1: The grease J Flow Control uses include lubricants and anti-seize grease that are both SILICONE-FREE

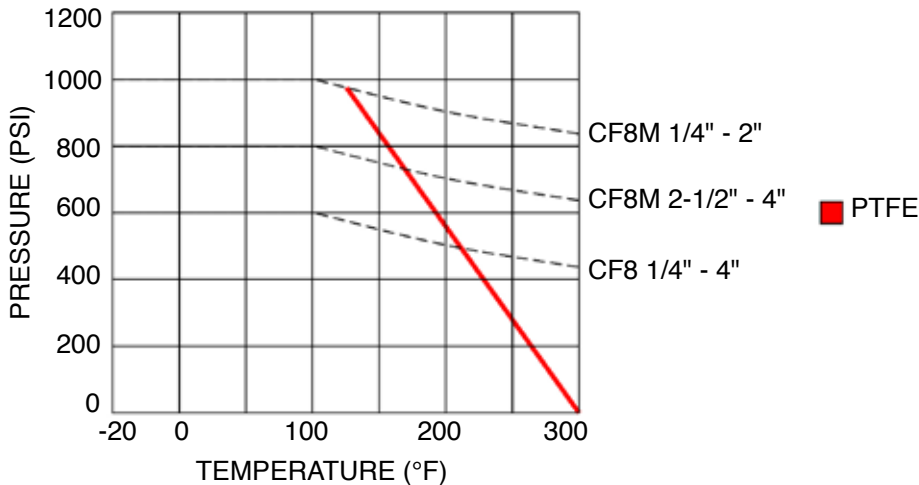
Note 2: J Flow Controls strongly suggests increasing the torque at least 30% - 40% for safety factor when mounting an actuator

## DM3844 Series Ball Valves

### FLOW COEFFICIENT

| Size      | 1/4" | 3/8" | 1/2" | 3/4" | 1" | 1-1/4" | 1-1/2" | 2"  | 2-1/2" | 3"  | 4"   |
|-----------|------|------|------|------|----|--------|--------|-----|--------|-----|------|
| CV Factor | 8.5  | 8.5  | 21   | 50   | 90 | 110    | 240    | 400 | 700    | 980 | 1700 |

### PRESSURE/TEMPERATURE CHART



### HOW TO ORDER

| Sizes    | Series | Body, Ball & Stem | Port        | Body Seal | Packing   |
|----------|--------|-------------------|-------------|-----------|-----------|
| 1 1/4"   | 38     | 44 Alloy          | F Full Port | T TFM1600 | T TFM1600 |
| 2 3/8"   |        |                   |             |           |           |
| 3 1/2"   |        |                   |             |           |           |
| 4 3/4"   |        |                   |             |           |           |
| 5 1"     |        |                   |             |           |           |
| 0 1-1/4" |        |                   |             |           |           |
| 6 1-1/2" |        |                   |             |           |           |
| 7 2"     |        |                   |             |           |           |
| 8 2-1/2" |        |                   |             |           |           |
| 9 3"     |        |                   |             |           |           |

| Seat      | End Connections                       | Options  |
|-----------|---------------------------------------|--|
| T TFM1600 | FT Female NPT<br>MT Female Metric THD | LD Locking Handle<br>SH Spring Handle<br>GO Gear Operator<br>BS Bare Stem<br>SE Stem Extension |

**J Flow Controls®**  
 4665 Interstate Drive  
 Cincinnati, OH 45246  
 513-731-2900  
[jflowcontrols.com](http://jflowcontrols.com)

While the information and specifications contained in this literature are believed to be accurate, they are supplied for informative purposes only and should not be considered certified or a guarantee of satisfactory results. Nothing contained herein is to be construed as a warranty or guarantee, express or implied, regarding any matter with respect to this product. Because J Flow Controls® is continually improving and upgrading its product design, the specifications, dimensions and information contained herein are subject to change without notice.