

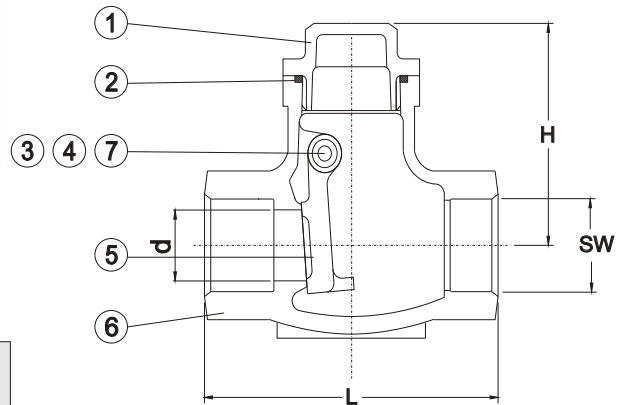
SB Series Low Pressure Swing Check Valve

200WOG
SIZE: 1/4"-3"



SPECIFICATION

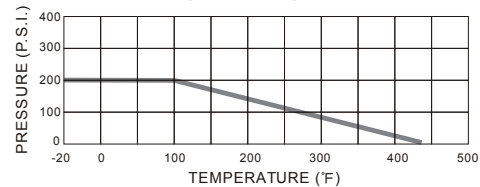
- * Body & end caps quality investment casting
- * 200 WOG working pressure
- * Size range: 1/4" to 3"



DIMENSIONS (inch)

SIZE	L	H	∅SW	d
1/4"	2.28	1.61	-	0.43
3/8"	2.28	1.61	-	0.47
1/2"	2.60	1.77	0.86	0.59
3/4"	3.19	2.13	1.07	0.79
1"	3.58	2.32	1.33	0.98
1-1/4"	4.19	2.72	1.68	1.22
1-1/2"	4.76	2.97	1.92	1.46
2"	5.59	3.19	2.41	1.89
2-1/2"	5.59	3.54	2.91	2.48
3"	7.48	3.86	3.54	2.95

PRESSURE/ TEMPERATURE (BODY)



MATERIALS LIST

ITEM	PART NAME	MATERIALS
1	COVER	CF8M
2	GASKET	PTFE
3	PIN	SS 316
4	PLUG	SS 316
5	DISC	CF8M
6	BODY	CF8M
7	GASKET	PTFE

ORDERING SCHEMATIC

Series	Body / Plug	Port	Packing	Seat	Ends
SB	33 316 SS	F Full	T PTFE Teflon	M Metal	S Threaded



The Right Valve • The Right Application • Right now!

J Flow Controls, LLC
14 De Camp • Cincinnati, OH 45216
Phone: 513-731-2900 • Fax 513-731-6939
www.jflowcontrols.com