

# DMCF3L/3T2A33FTT-KE Series

## Cavity Filled Three Way/Four Way Valve

### Features & Benefits

- Available in stainless steel
- Body & end are investment cast
- Self adjusting stem packing
- Available in 3 way & 4 way
- Available in T-port, L-port, or X (LL)-port
- 4 piece ball seats
- Blow-out proof stem design
- Cavity filled seats/non-cavity filled seats
- 100% air tested under water at 80–100 psi
- Working pressure 800 psi
- Temperature range -20°F to +450°F
- ISO 5211 direct mounting pad
- Connection DIN 337
- End type: T-Clamp/thread/SW/BW ends
- With locking function
- Option: actuator, solenoid valve, limit switch box



### Ordering Schematic

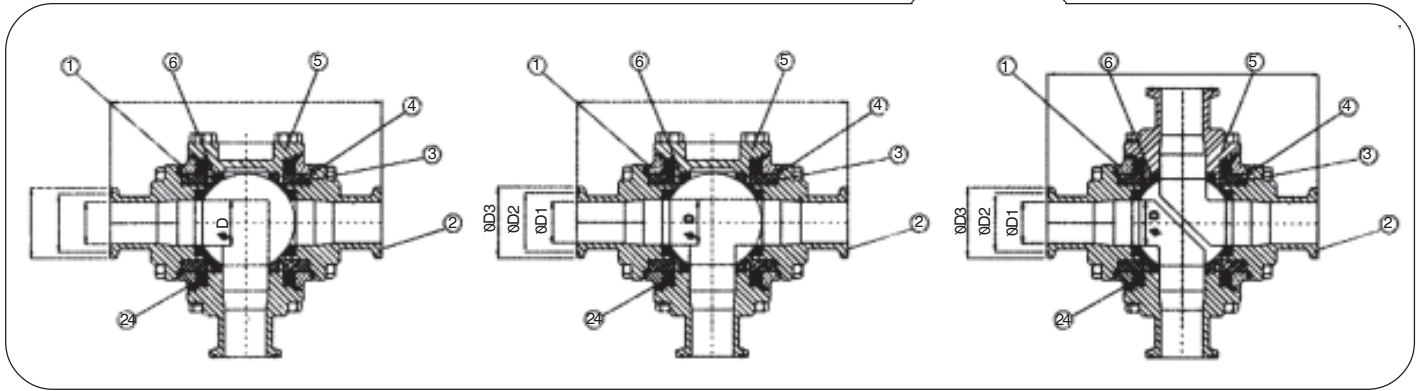
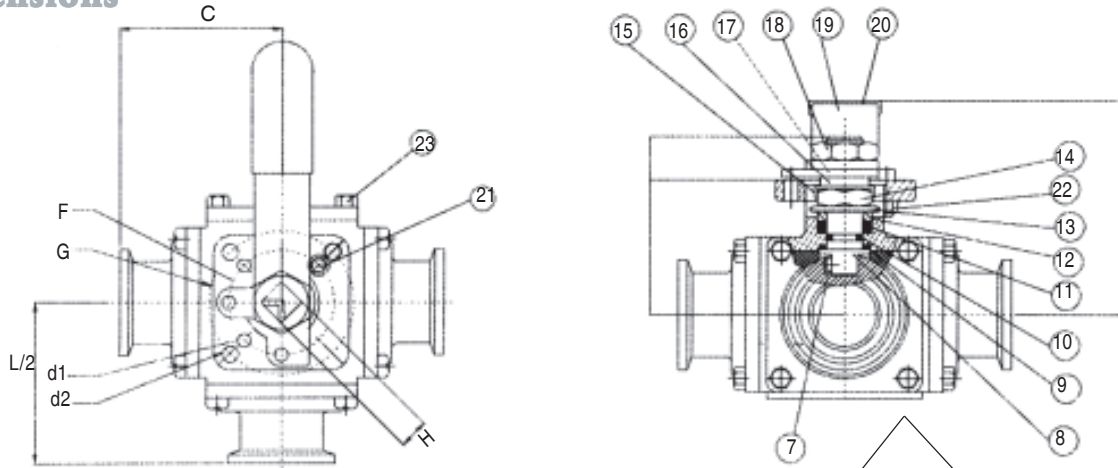
□	□	□	□	□	□	□
Series	Body Material	Trim Material	Port	Packing	Seats	Ends
<b>DMCF3L/T2A</b>	2 Carbon Steel 3 Stainless Steel 4 Alloy 20 5 Monzl 7 Hastalloy C 9 Duplex	3 Stainless Steel 4 Alloy 20 5 Monzl 7 Hastally C 9 Duplex	F Full Port R Red. Port	T Teflon	T Teflon TC Carbon-Super Teflon TM Super Teflon	KE Tri Clamp S Threaded SW Socket Weld BW Butt Weld ISO Flanges ANSI 150 Flanges ANSI 300 Flanges

**J Flow Controls, LLC**

**J Flow Controls, LLC**  
 14 De Camp Ave. • Cincinnati, OH 45216  
 513-731-2900 • 1-866-95JFLOW • 513-731-6939  
 sales@jflowcontrols.com • www.jflowcontrols.com

# Engineering

## Dimensions



## Materials

No.	Description	Material Specification
1	Body	A351 Gr. CF8M
2	T-Clamp End	A351 Gr. CF8M
3	Cavity Fill Seat	PTFE
4	Gasket	PTFE
5	Blank Cap	A351 Gr. CF8M
6	Ball Seat	PTFE
7	Pin	SS316
8	Stem	SS316
9	Thrust Washer	RPTFE
10	O-Ring	Viton
11	Stem Packing	PTFE
12	Gland	SS304
13	Disk Washer	SS301
14	Stem Nut	SS304
15	Nut Stop	SS304
16	Space Washer	SS304
17	Plater	SS304
18	Handle Nut	SS304
19	Handle	SS304
20	Handle Cover	Plastic
21	Stop Pin	SS304
22	Stop Pin Nut	SS304
23	End Cap Bolts	SS304
24	Cavity Fill Housing	PTFE

Size	A	B	C	d1	d2	E	F	G	H	L/2	L	D	D1	D2	D3	Weight
1/2"	1.5	0.43	5.1	0.24	0.24	2.4	1.4	1.7	0.35	2.6	5.2	0.47	0.38	0.85	0.98	3.0
3/4"	1.6	0.43	5.1	0.24	0.24	2.5	1.4	1.7	0.35	2.8	5.6	0.59	0.62	0.85	0.98	5.9
1"	2.2	0.55	6.5	0.24	0.28	3.5	1.7	2.0	0.43	3.1	6.3	0.98	0.87	1.71	1.98	9.6
1-1/2"	2.9	0.71	8.1	0.28	0.36	4.3	2.0	2.8	0.55	3.6	7.2	1.50	1.37	1.71	1.98	18.9
2"	3.7	0.91	12.8	0.36	0.45	5.5	2.8	4.0	0.67	4.3	8.5	1.97	1.87	2.22	2.52	33.8

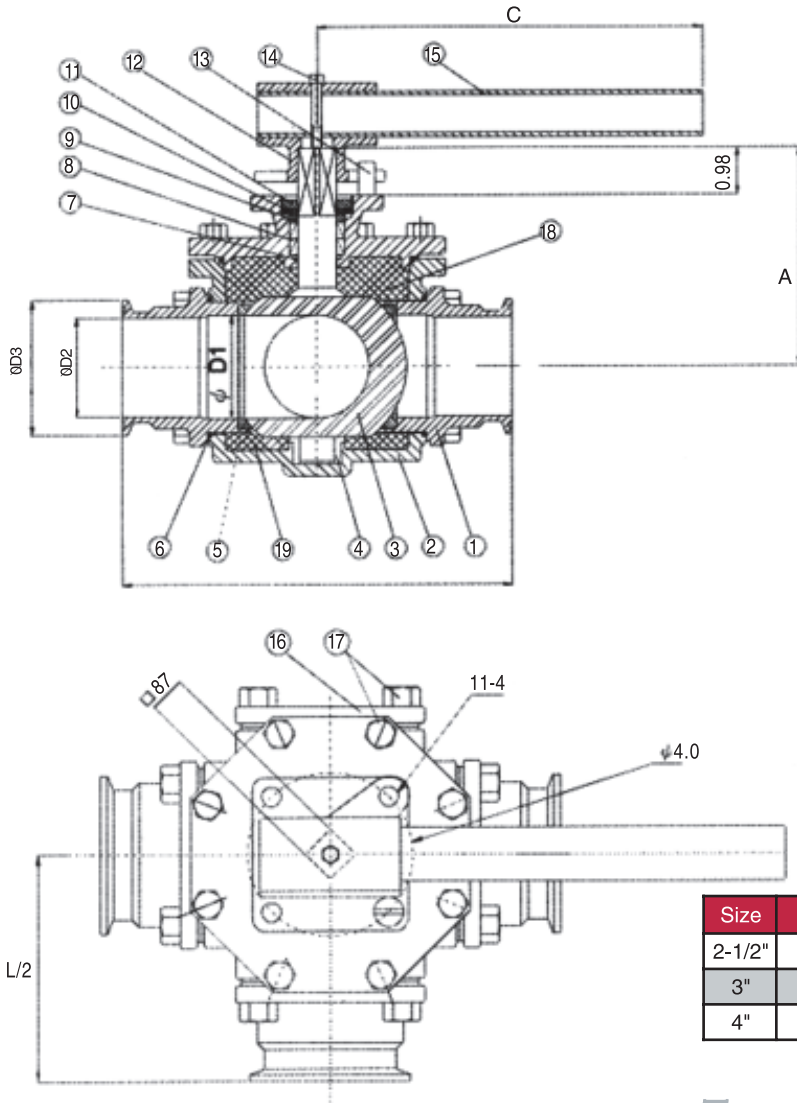
## Break-Torque Value (Ft/Lb at 9 psi)

Size	1/2"	3/4"	1"	1-1/2"	2"	2-1/2"	3"	4"	6"
Non-Grease	13.28	14.75	31.72	53.10	82.61	188.08	213.89	265.52	258.88

Note: For sanitary ball valves, no grease will be used inside the valve. The torque will be larger for non-grease and cavity-filled seats. Anti-seize grease will still be used on the bolts.

# Engineering

## Dimensions

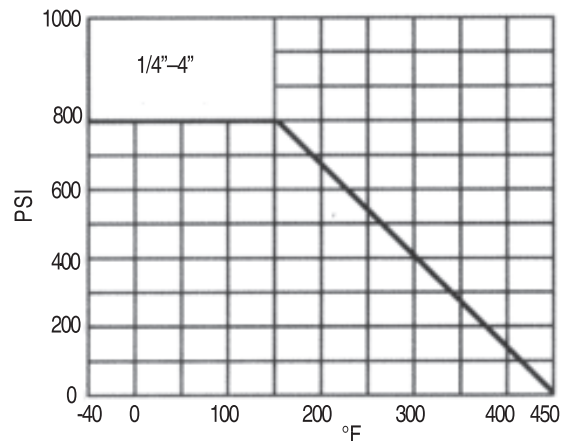


## Materials

No.	Description	Material Specification
1	Body	A351 Gr. CF8M
2	T-Clamp End	A351 Gr. CF8M
3	Ball & Stem	A351 Gr. CF8M
4	Housing	PTFE k+ Stainless
5	Seats	PTFE
6	Gasket	PTFE
7	O-Ring	Viton
8	Stem Packing	PTFE
9	Gland Washer	SS304
10	Disk Washer	SS301
11	Gland	SS304
12	Handle Head	A351 Gr. CF8M
13	Stop Pin	SS304
14	Bolt	SS304
15	Lever	Carbon Steel
16	Blank End	A351 Gr. CF8M
17	Connection Bolt	SS304
18	Cavity Filler (A)	PTFE
19	Cavity Filler (B)	PTFE

Size	A	C	D1	D2	D3	L	L/2	Weight
2-1/2"	5.7	15.7	2.44	2.37	3.05	9.5	4.75	44.6
3"	6.4	19.7	2.99	2.87	3.58	11.0	5.50	58.1
4"	7.2	25.6	3.78	3.83	4.69	13.0	6.50	105.0

## Temperature Chart



**J Flow Controls, LLC**

**J Flow Controls, LLC**  
 14 De Camp Ave. • Cincinnati, OH 45216  
 513-731-2900 • 1-866-95JFLOW • 513-731-6939  
 sales@jflowcontrols.com • www.jflowcontrols.com

# **J Flow Controls, LLC**

**J Flow Controls, LLC**

**14 De Camp Ave. • Cincinnati, OH 45216**

**513-731-2900 • 1-866-95JFLOW • 513-731-6939**

**sales@jflowcontrols.com • www.jflowcontrols.com**