



STANDARDS

- ASME Class 900 / 1500
- ANSI Class IV Shut Off
- Multi-Disc
- 64ths Indicator

9200 Series Choke Valve

FEATURES & BENEFITS

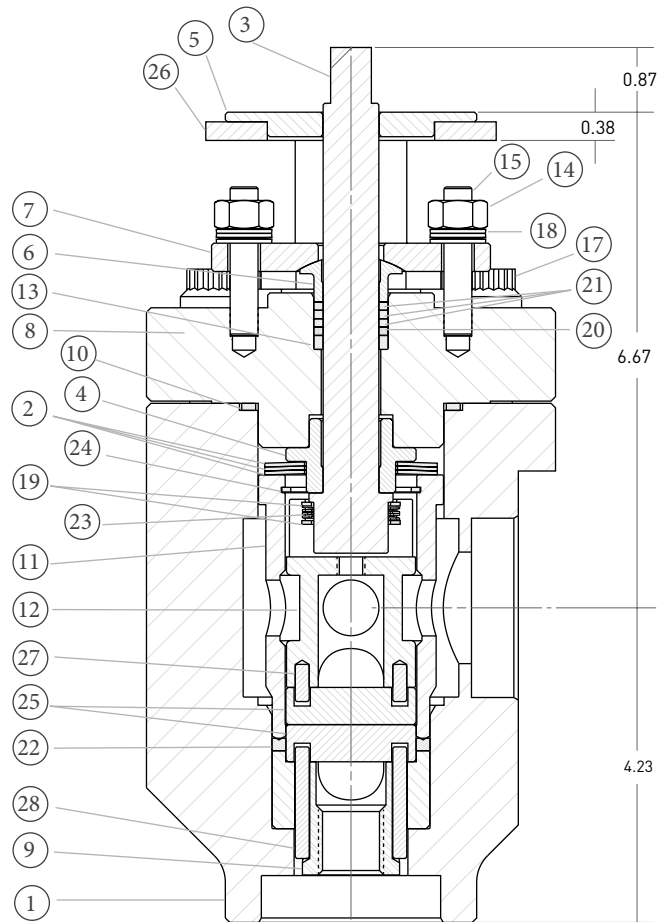
- Graphite Packing
- Carbide, 17-4 and Ceramic Discs Available
- Angle Body Design for Longevity
- End Connections: Socket Weld
- Bolted Bonnet for Ease of Maintenance
- Live Loaded Packing Design
- Quarter Turn
- Easily Automated

APPLICATIONS & INDUSTRIES

- Steam Injection applications
- Water Injection
- Gas Injection
- CO2 Injection
- Production Flow Back
- Liquid Bypass
- Gas Bypass

9200 Series Choke Valve

SPECIFICATIONS - CLASS 1500 STEEL



Part Number	Description	Part Number	Description
1. Body	A105	15. Stud-Packing Gland	A193 B8M CL. 1
2. Belleville Spring	17-4 PH H1150 + 1150	17. Ferry Cap Screw	A193 B7
3. Stem	17-4 PH H1150 + 1150	18. Belleville Spring - Live Loaded	17-7 PH
4. Stem Bushing	410 SS - QPQ	19. Washer	304 SS
5. Guide Bearing	Brass	20. Packing Ring	Grafoil
6. Packing Follower	410 SS - QPQ	21. Anti-Extrusion Ring	Inconel 718 / Grafoil
7. Gland Flange	17-4 PH	22. Seal Ring	Grafoil
8. Bonnet	A105	23. Spring	A-286
9. Wear Sleeve	17-4 PH H1150 + 1150	24. Retaining Ring	302 SS
10. Body Gasket	304 SS - Grafoil Filled	25. Choke Disk	WC
11. Outer Cage	17-4 PH H1150 + 1150	26. Bracket	Stainless Steel
12. Drive Cage	17-4 PH H1150 + 1150	27. Dowel Pin	Alloy Steel
13. Packing Bushing	410 SS - QPQ	28. Dowel Pin	Alloy Steel
14. Nut-Packing Gland	A194 Gr. 8M		

9200 Series Choke Valve

HOW TO ORDER

Series	Body Material	Disc Material	Packing	Orifice Size	End Connection
92	2 WCB/A015	3 17-4 SS	G Graphite	A 3/16"	SW Socket Weld *
	3 316	10 Tungsten Carbide		B 1/4"	F300 ANSI 300
		11 Ceramic		C 3/8"	F600 ANSI 600
				D 1/2"	F900 ANSI 900
				E 5/8"	F1500 ANSI 1500
					F 3/4"

* SW -Standard Ends- Please see the J Flow Controls Configurator for a full list of body and trim materials

Orifice Sizes Available

Sizes	Rated Cv
3/16"	1.6
1/4"	2.9
3/8"	6.6
1/2"	11.7
5/8"	18.4
3/4"	26.4



4665 Interstate Drive

Cincinnati, OH 45246

513-330-6354

jflowcontrols.com

While the information and specifications contained in this literature are believed to be accurate, they are supplied for informative purposes only and should not be considered certified or a guarantee of satisfactory results. Nothing contained herein is to be construed as a warranty or guarantee, express or implied, regarding any matter with respect to this product. Because J Flow Controls® is continually improving and upgrading its product design, the specifications, dimensions and information contained herein are subject to change without notice.