



STANDARDS

- ISO 5211
- Threaded ends conform to ASME B1.20.1 (NPT)
- NACE MR0175
- All valves tested and inspected to API 598

J Flow Controls DM3200 Series

Two Piece Direct Mount Ball Valves

FEATURES & BENEFITS

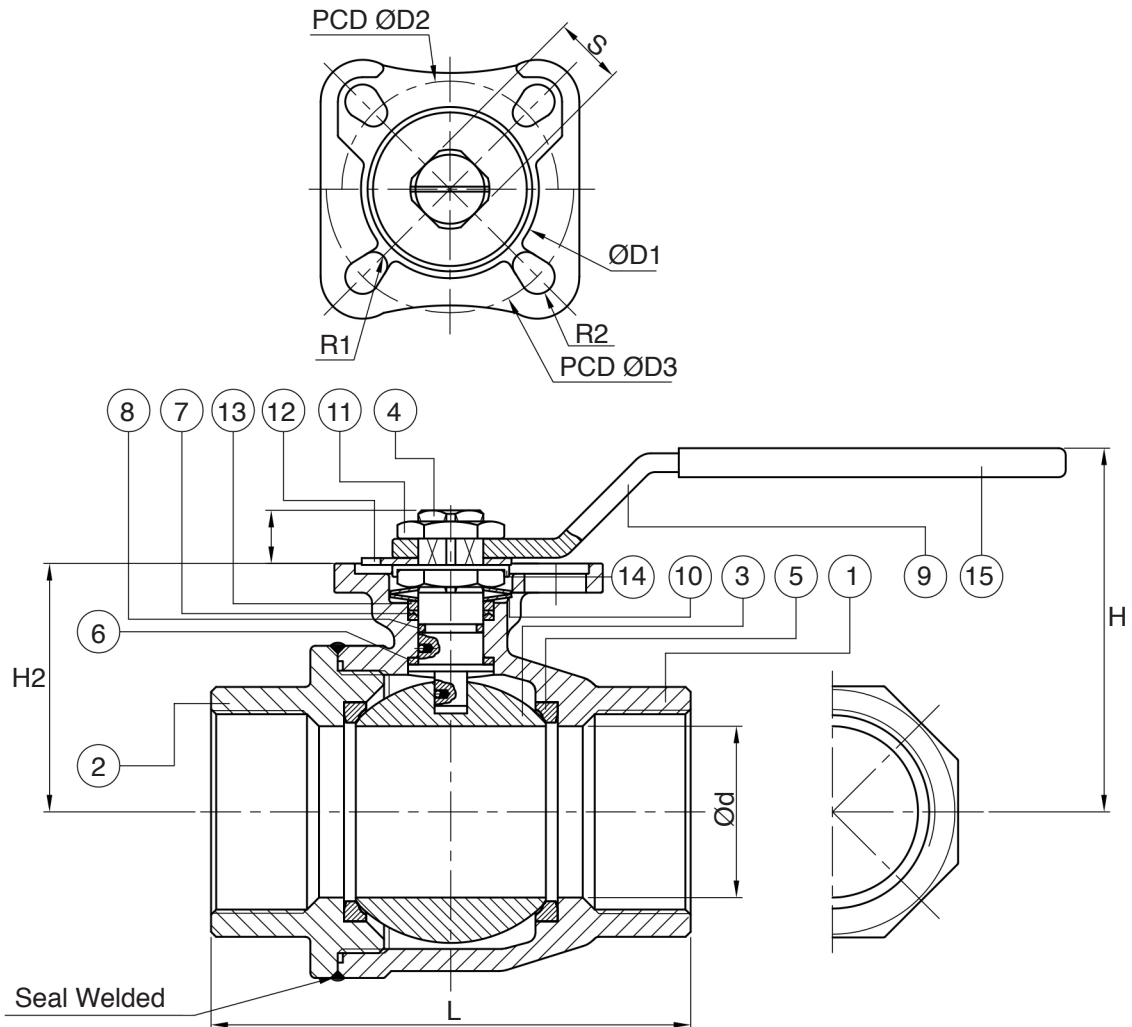
- Investment casting
- Blow-out proof stem
- Full port
- 2000 psi
- TFM 1600 seat material
- PTFE seal & packing
- Seal welded ends

APPLICATIONS & INDUSTRIES

- Industrial process services
- Sampling systems
- Instrument panels
- Hydraulic test stands
- Pneumatic systems
- High pressure instrument lines
- Gas sampling lines
- Equipment isolation
- Test systems
- Air injection systems
- Gas sampling cylinders
- Corrosive and viscous fluids
- Refinery pilot plants
- Water, oil & gas utility services

DM3200 Series Direct Mount Two Piece Ball Valve

PARTS IDENTIFICATION



No	Parts Name	Materials	
1	Body	ASTM A351-CF8M 1.4408	ASTM A216-WCB 1.0619
2	Cap		
3	Ball	ASTM A351-CF8M	
4	Stem	ASTM A276-316	
5	Seat	RTFE / PTFE/ TFM 1600	
6	Thrust Washer	PTFE	
7	Packing		
8	O-Ring	Viton	
9	Handle	Stainless Steel	
10	Disc Spring	SS 301	
11	Stem Nut	AISI 304	
12	Lock Device		
13	Gland Ring		
14	Lock Washer		
15	Handle Sleeve	PVC	

DM3200 Series Direct Mount Two Piece Ball Valve

DIMENSIONS

Size	Dimensions												Torque (in-lb)		Weight
	d	L	H	H1	H2	S	D1	D2	D3	R1	R2	ISO 5211	Action	Breakway	
1/4"	0.31	2.95	2.52	0.31	1.54	0.35	1.22	1.42	1.65	0.11	0.11	F03/F04	19.5	31.9	1.1
3/8"	0.39	2.95	2.52	0.31	1.54	0.35	1.22	1.42	1.65	0.11	0.11	F03/F04	19.5	31.9	1.1
1/2"	0.59	2.95	2.52	0.31	1.54	0.35	1.22	1.42	1.65	0.11	0.11	F03/F04	19.5	31.9	1.1
3/4"	0.79	3.15	2.76	0.31	1.73	0.35	1.22	1.42	1.65	0.11	0.11	F03/F04	38.9	57.5	1.3
1"	0.98	3.56	2.91	0.35	1.87	0.43	1.4	1.65	1.97	0.11	0.14	F04/F05	52.2	84.1	2.2
1-1/4"	1.26	4.33	3.15	0.47	2.09	0.43	1.4	1.65	1.97	0.11	0.14	F04/F05	52.2	97.4	3.3
1-1/2"	1.5	4.72	3.86	0.51	2.54	0.55	2.2	1.97	2.76	0.14	0.18	F05/F07	79.7	115.1	5.1
2"	1.97	5.51	4.21	0.53	2.87	0.55	2.2	1.97	2.76	0.14	0.18	F05/F07	292.1	460.3	7.9

HOW TO ORDER

Sizes	Series	Body, Ball & Stem	Port	Packing	Body Seal	Seat
1 1/4"	DM32	23 WCB, CF8M Ball & Stem 33 CF8M	F Full	T TFM 1600	T TFM 1600	T TFM 1600
2 3/8"						
3 1/2"						
4 3/4"						
5 1"						
6 1-1/2"						
7 2"						



J Flow Controls®
4665 Interstate Drive
Cincinnati, OH 45246
513-731-2900
jflowcontrols.com

While the information and specifications contained in this literature are believed to be accurate, they are supplied for informative purposes only and should not be considered certified or a guarantee of satisfactory results. Nothing contained herein is to be construed as a warranty or guarantee, express or implied, regarding any matter with respect to this product. Because J Flow Controls® is continually improving and upgrading its product design, the specifications, dimensions and information contained herein are subject to change without notice.