



The TS600L is a linear Electro-Pneumatic Positioner that controls the valve stroke in response to an input signal of 4-20mA from the control panel, DCS or calibrator.

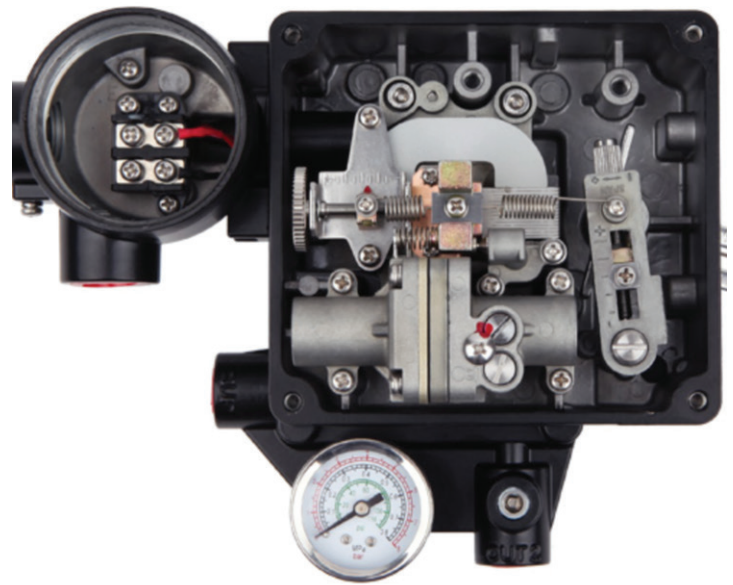
## Electro-Pneumatic Positioner (Linear & Rotary)

### ***FEATURES & BENEFITS***

- Fast response time, durability and excellent stability
- Simple zero and span adjustment
- IP 66 enclosure
- Strong anti-vibration performance
- By-pass valve (A/M switch) installed
- Air connection part is designed for detachability and it can be changed PT/NPT tapping threads in the field easily.

## TS600 Electro-Pneumatic Positioner (Linear)

### **LINEAR MODEL**

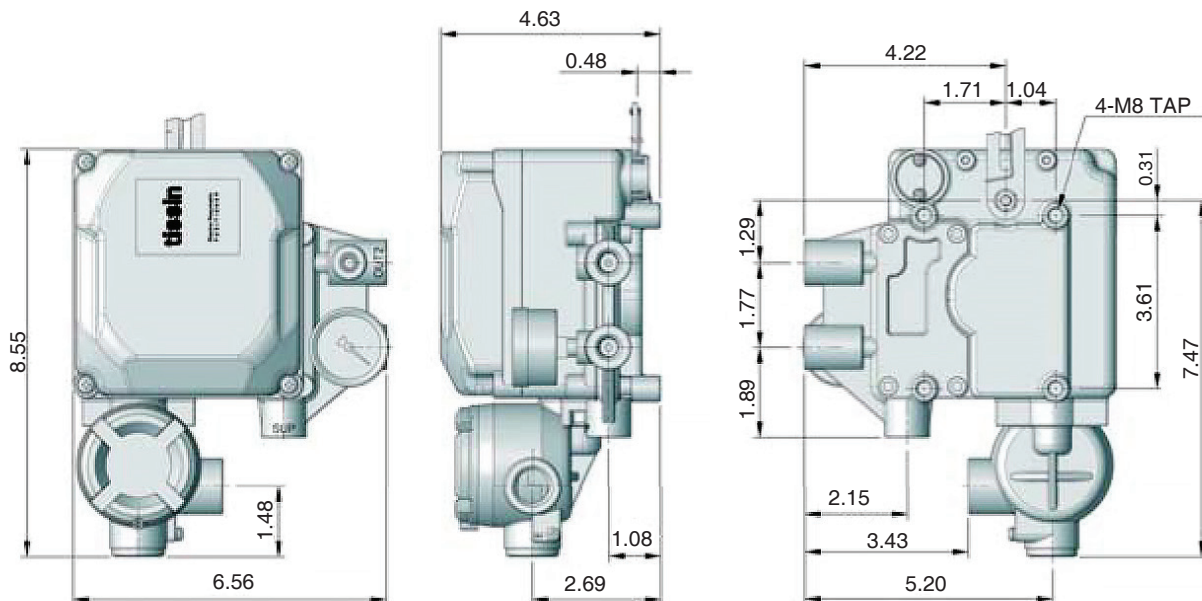


## TS600 Electro-Pneumatic Positioner (Linear)

### SPECIFICATIONS

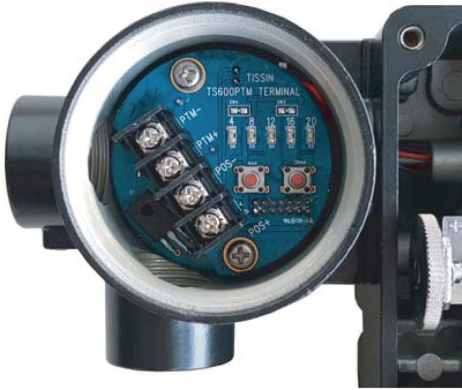
		TS600L (Single)	TS600L (Double)
Input Signal		4-20mA DC	
Impedance		250 ± 15Ω	
Supply Pressure		0.14~0.7MPa	
Stroke		10~100mm	
Air Connection		PT 1/4, NPT 1/4	
Gauge Connection		PT 1/8, NPT 1/8	
Conduit		G(PF) 1/2, NPT 1/2	
Explosion-proof type		Non-explosion proof EX dmb IIB T5/T6, Ex dmb IIC T5/T6 Ex ia IIC T6	
Enclosure		IP66	
Ambient Temp.	Operating Temperature	-4°F ~ 158°F (standard) -40°F ~ 158°F (option) -4°F ~ 248°F (option)	
	Explosion proof	-40°F ~ 140°F (T5) / -40°F ~ 104°F (T6)	
Linearity		± 1.0% F.S.	± 2.0% F.S.
Sensitivity		± 0.2% F.S.	± 0.5% F.S.
Hysteresis		± 1.0% F.S.	
Repeatability		± 0.5% F.S.	
Air Consumption		Below 2.5LPM (Sup=0.14MPa)	
Flow Capacity		Over 80LPM (Sup=0.14MPa)	
Material		Aluminum die cast	
Weight		6.2 lbs	

### DIMENSIONS



## TS600 Electro-Pneumatic Positioner (Linear)

### SMART TYPE POSITION TRANSMITTER



Option code No. 1

### HOW TO ORDER

Model		Acting Type		Explosion Proof		Connection		Lever (Linear)		Ambient Temp		
TS600L	Linear	L	Linear	N	Non-explosion proof		Conduit Entry	Air Connection	1	0.4" ~ 1.57"	S	-4°F ~ 158°F
				B	Ex dmb IIB T5/T6	1	G1/2	PT1/4	2	1.57" ~ 2.76"	H	-4°F ~ 248°F*
				C	Ex dmb IIC T5/T6	2	G1/2	NPT1/4	3	2.76" ~ 3.94"	L	-40°F ~ 158°F
				A	Ex ia IIC T5/T6	3	NPT1/2	NPT1/4	4	3.94" ~ 5.91"		

Option	
0	None (standard)
1	4~20mA Position transmitter (Positioner is RA type)*
2	4~20mA Position transmitter (Positioner is DA type)*

\* Must be non-explosion proof type.