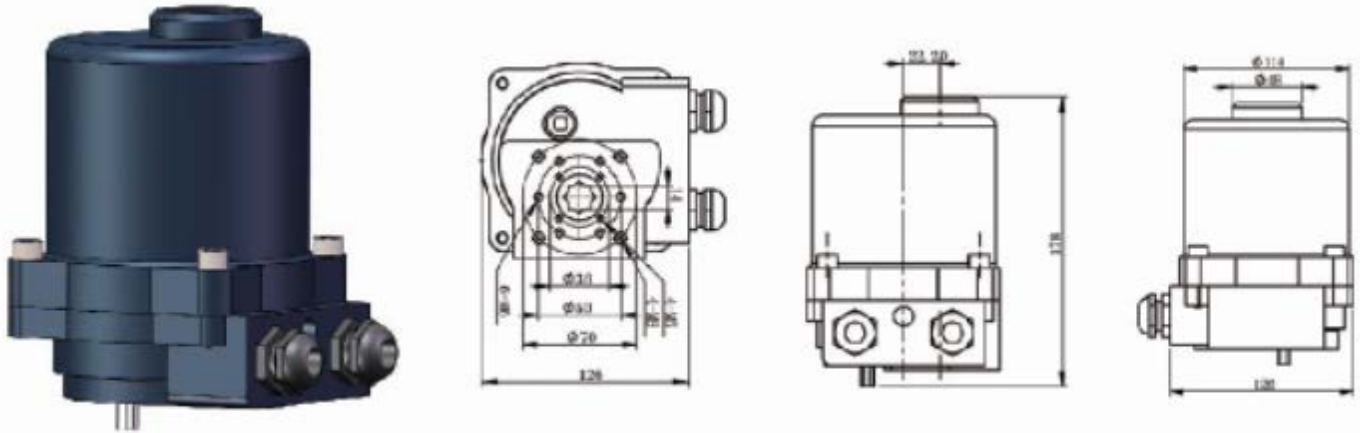
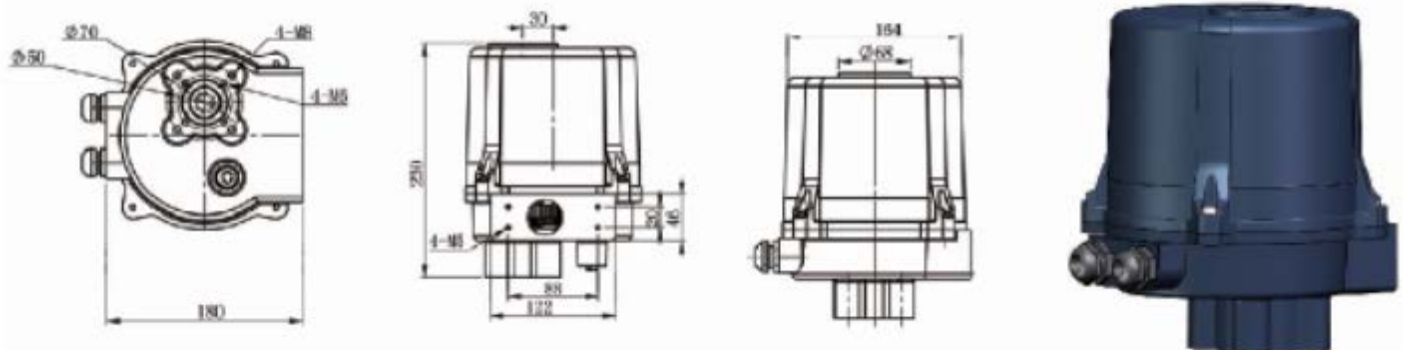


## J Flow JTM Series Electric Actuator

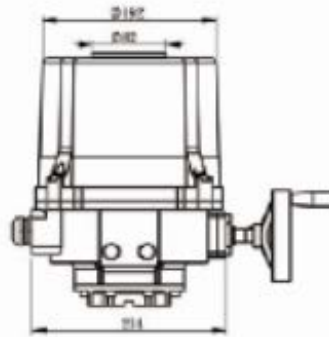
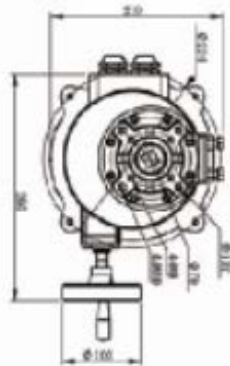


Base No.	Product Model No.	Output Torque (N*M)	Motor Power	Switch Time	Connection Dimension
JTM1S	JTMS-40	40	15W	12S	F03/05 14*14 Socket octagon
	JTMS-40-2.5S	15	15W	2.5S	F03/05 14*14 Socket octagon

Electric connection: 2\*M20\*1.5

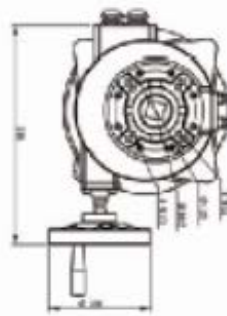
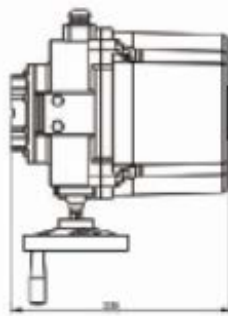
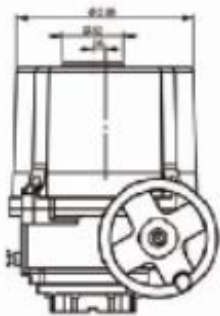


Base No.	Product Model No.	Output Torque (N*M)	Motor Power	Switch Time	Connection Dimension
JTM2S	JTMS-150	150	40W	8S	F05/07 17*17 Socket octagon
	JTMS-150-2.5S	80	60W	2.5S	F05/07 17*17 Socket octagon
	JTMS-150-1S	50	60W	1S	F05/07 17*17 Socket octagon



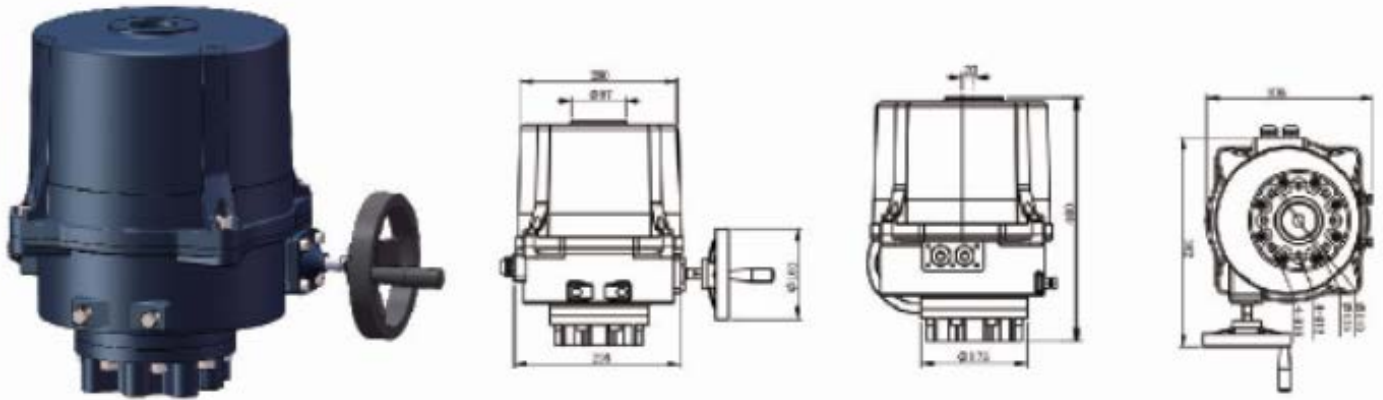
Base No.	Product Model No.	Output Torque (N*M)	Motor Power	Switch Time	Connection Dimension
JTM3	JTM-200	200	40W	20S	F07/10 Spline shaft can be customized
	JTM-300	300	60W	30S	

Electric connection: 2\*G3/4



Base No.	Product Model No.	Output Torque (N*M)	Motor Power	Switch Time	Connection Dimension
JTM4	JTM-400	400	90W	29S	F10/12 Spline shaft can be customized
	JTM-600	600	90W	40S	
	JTM-800	800	90W	48S	
	JTM1000	1000	120W	48S	

Electric connection: 2\*G3/4



Base No.	Product Model No.	Output Torque (N*M)	Motor Power	Switch Time	Connection Dimension
JTM5	JTM-1600	1600	200W	35S	F12/14 Spline shaft can be customized
	JTM-2300	2300	200W	48S	

Electric connection: 2\*G3/4

## SMART PRODUCT

The TM smart electric actuator features a multi-purpose servo amplifier and a position signal transmitter. It can directly receive 4-20mA current control signal or open/close control signal from DCS or other upstream control system. The actuator is provided with a coder as the valve position signal transmitter, where the valve position signal and control signal are compared in the control board chip. When the signal difference is bigger than the sensitivity of the control board, the control board will control the current contactor in the electric actuator so as to control the electric actuator motor to work in a way that the signal difference is reduced till it is lower than the sensitivity value of the control board.

## FEATURE

- Input signal: 4-20mA DC, 0-10A DC or on-off control signal
- Input impedance: 250Ω (4-20mA) or 500 Ω (0-10mA)
- Valve position sensor: 1-5k Ω
- Valve position transmitter output signal: 4-20mA DC or 0-10mA DC
- Intrinsic error:  $\leq \pm 0.2\%$
- Motor locked rotor protection time: 1-25.4s (default 6.4s)
- Power consumption:  $\leq 3VA$
- Actuator sensitivity: 0.5%~12.5%
- Transient reverse protection function: Upon receiving reverse action instruction while the actuator is in action, the control panel will first stop the rotation of the electric actuator and with certain time delay (delay can be set as required) before it executes the reverse action instruction, so as to avoid unnecessary damage to the actuator motor, reducer, valve stem and other parts
- Relay contact output alarm functions including Open position, Close position, Error, Remote state, Local state
- Alarm functions including no signal, no feedback. When there is no signal, it can be set to maintain current position, full open, full close, or any other designated positions
- Field test and function setting of control panel can be done via portable IR remote control
- Three-phase auto phase correction protection function to make sure actuator maintains correct rotating direction
- Insulation strength: Power frequency 1500V, 1min
- Insulation resistance: 50MΩ min
- Ambient temperature: 0-50℃
- Relative humidity:  $\leq 85\%$
- Motor locked rotor protection function
- Load default setting function
- Error code prompt function

## RATING:

Ex db IIC T5/T6 II 2D Ex tb IIIC T85°C/T100 °C

## MOUNTING

### 1. ENVIRONMENT

#### 1.1 Indoor

For mounting in environment with explosive gas, explosion-proof actuator is required;  
For mounting in submerged or outdoor environment, please note us in advance;  
Space shall be reserved for wiring, manual operation and maintenance activities.

#### 1.2 Outdoor

To avoid rainwater and direction sunlight, protective hood shall be installed; or select IP67 or above;  
Space shall be reserved for wiring, manual operation and maintenance activities.

#### 1.3 Ambient Temperature

Ambient temperature: -20°C to +70°C;  
When ambient temperature is below 0°C, space heater is required inside.

#### 1.4 Fluid Temperature

When used in the valve, the heat from the fluid may transfer to the actuator and increase the temperature; when the fluid is at high temperature, the bracket connecting to the valve need special treatment:

Standard bracket: For fluid temperature below +65°C, or no bracket;  
Medium temperature bracket: For fluid temperature above +100°C and below +180°C;  
High temperature bracket: For fluid temperature above 180°C.

**Note:** Customized design and manufacturing is available upon request from customer based on functions of driving bushing, which may be designed in shapes like round shaft, square shaft or other shapes. (Ensure eccentricity between hole and outside circle)



4665 Interstate Drive  
Cincinnati, OH 45246  
[www.jflowcontrols.com](http://www.jflowcontrols.com)  
513-731-2900