



STANDARDS

- FM Approved Explosion Proof Switchbox



J Flow Controls **JFS-ALS30 Series**

Limit Switch

FEATURES & BENEFITS

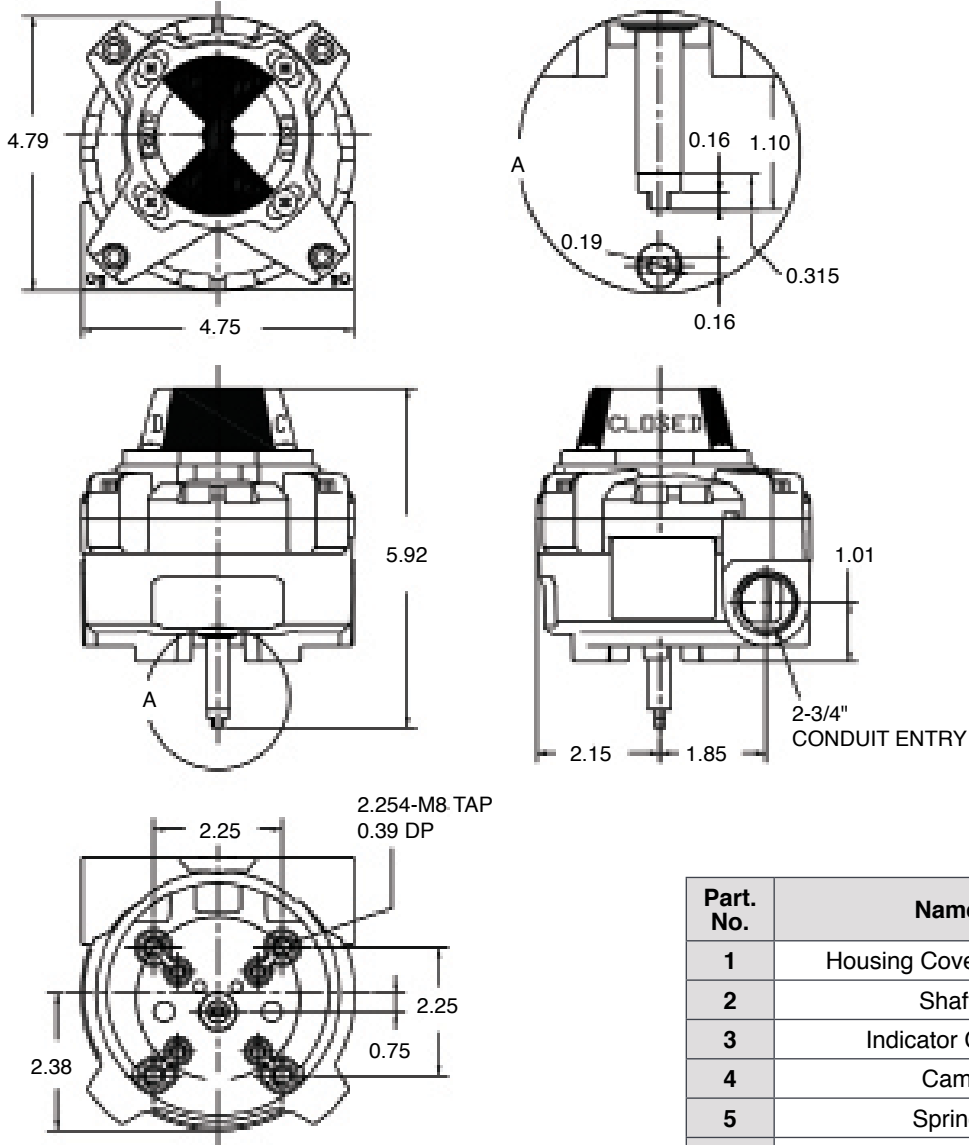
- FM Approved Explosion Proof Switchbox
- 2 x SPDT switches for indication of fully open and fully closed positions
- Powder Coated Aluminum Housing with high visibility beacon indicator
- Captive cover bolts are safely retained during installation and maintenance
- Quick-Set Cams - spring loaded splined cams are easily adjustable with no tools required
- Dual 3/4" NPT cable entries are provided

TECHNICAL SPECIFICATION

- Enclosure: FM Approved Explosion Proof Class I, Division 1, Groups C & D; Class II, III, Division 1, Groups E, F & G; Flame Proof Ex db IIC, T5 Gb, with ingress protection IP67
- Cable Entries: Two NPT 3/4"
- Ambient Temperature: -40°F to 140°F
- Terminal Strips: 8 points (0.08 - 2.5mm²)
- Position Indicator: 0 - 90° (90° turn free join close: red & open: green)
- Switches: Mechanical Switch x 2
- Painting: Chromate Polyester Powder Coating

JFS-ALS30 Limit Switch

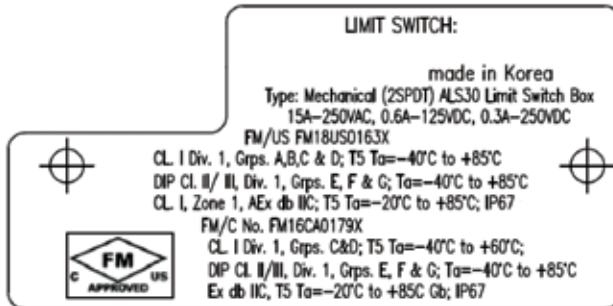
DIMENSIONS & BILL OF MATERIALS



Part No.	Name	Material
1	Housing Cover & Body	Aluminum Die-Casting
2	Shaft	Stainless Steel
3	Indicator Cover	Polycarbonate
4	Cam	ABS
5	Spring	Stainless Steel
6	Housing Cover Bolt	Stainless Steel
7	O-Ring	NBR
8	Bushing	Bronze
9	E-Ring (Shaft)	Stainless Steel
10	Earth Lug	Stainless Steel
11	Indicator	ABS/Polycarbonate
12	Bracket	Stainless Steel

STANDARD SWITCHES - MECHANICAL

- 2 SPDT Switches
- Contact Arrangement:
16A, 1/2HP @ 125V / 250VAC
10A @ 30VDC, 0.6A @ 125VDC



ADJUSTMENTS

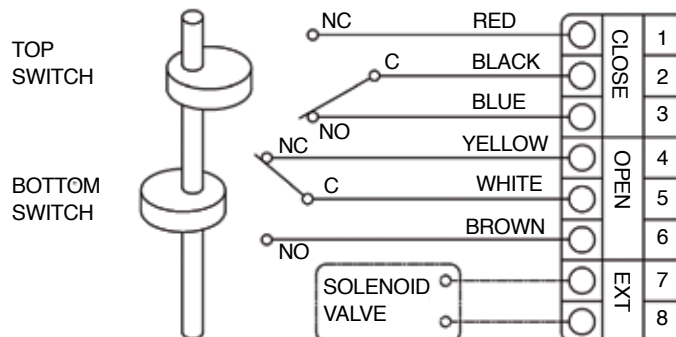
J Flow Controls limit switch boxes are factory set, and should not require any adjustment, however, if final adjustment in the field is required the following procedures must be followed.

Adjustment Mechanical Switch

1. Isolate Electrical Supply
2. Unscrew captive bolts
3. Remove the top cover, be careful not to damage the 'O' ring seal
4. You will find two colored quick set cams (1) & (2), one cam for each limit switch
5. Gently press down and rotate each spring loaded cam, against the mechanical switch lever until the desired contact is made and release. The cam is now set in the desired position.

WIRING DIAGRAM - MECHANICAL SWITCH (2 SPDT)

MECHANICAL SWITCHES



JFS-ALS30 Limit Switch



4665 Interstate Drive
Cincinnati, OH 45246
513-731-2900
jflowcontrols.com

While the information and specifications contained in this literature are believed to be accurate, they are supplied for informative purposes only and should not be considered certified or a guarantee of satisfactory results. Nothing contained herein is to be construed as a warranty or guarantee, express or implied, regarding any matter with respect to this product. Because J Flow Controls® is continually improving and upgrading its product design, the specifications, dimensions and information contained herein are subject to change without notice.