

STANDARDS

- ISO 5211 direct mount design
- ANSI Class 150, 300, 600, 900
- Standard ISA 75.04 face-to-face
Optional ANSI B16.10 short pattern
- CRN registered
- Equal percentage

J Flow Controls DM9900-J Series Segmented & Anti-Cavitation V-Port Control Valve

FEATURES & BENEFITS

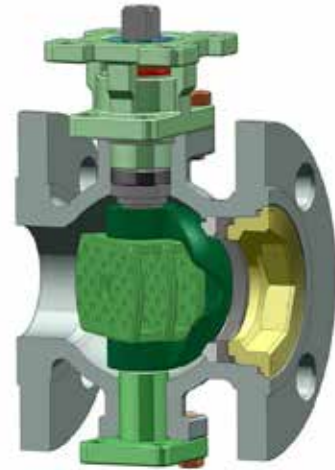
- Size range: 1-1/2" - 6"
- ISO 5211 direct mount design
- ANSI Class 150, 300, 600, 900
- Flanged and flangeless versions available
- Live loaded packing
- Protected bearings, top & bottom
- Easy installation and versatility
- Extremely low actuator torque
- J trim for cavitation / noise abatement
- WCB, 316SS, 317SS and other alloy materials
- available
- Metal seated
- Patented for live loading packing US 8,398,055B2
- Fugitive emission bonnet

APPLICATIONS & INDUSTRIES

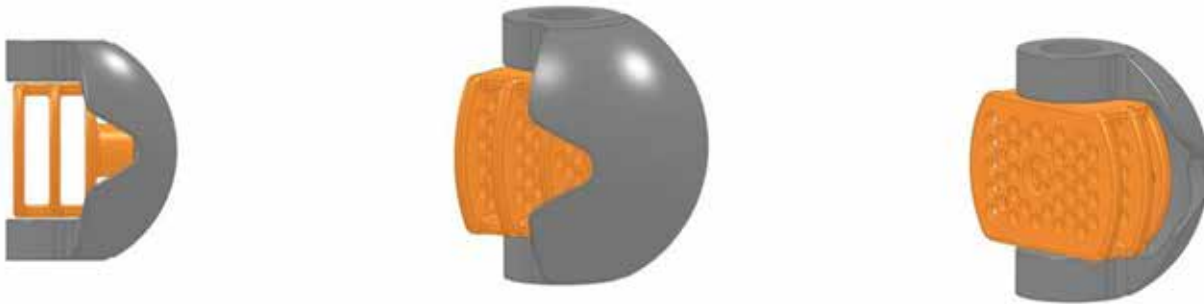
- High pressure water, steam, and gas drops
- Compressors
- Steam lines
- Water pump and flow curve (back pressure)
- Back pressure reducing control
- Pressure reducing control
- Surge control
- Jet fuel

DESCRIPTION OF J-TRIM OPTION

The J Trim option can help with liquid cavitation and aerodynamic noise problems. The pressure drop is divided into a series of small pressure drops and separates the flow stream into many small jet streams. This provides a combination of cavitation / noise abatement with high capacity, high rangeability and the capability to handle impure fluids.

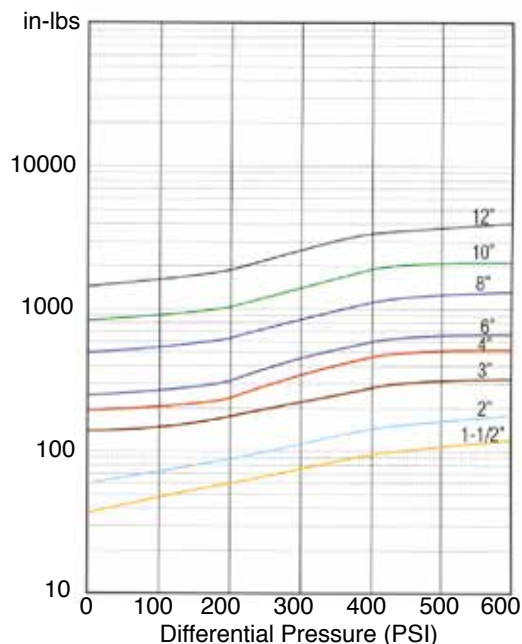


J-TRIM OPTION



Now available with J Trim option! The valve's application can now range from very low-flow and high accuracy service. This is ideal for additive and coloring lines and pilot plants. Cavitation and aerodynamic noise is also reduced. The J Trim is a self-cleaning design which handles contaminated flows without plugging.

ACTUATOR SIZING TORQUE

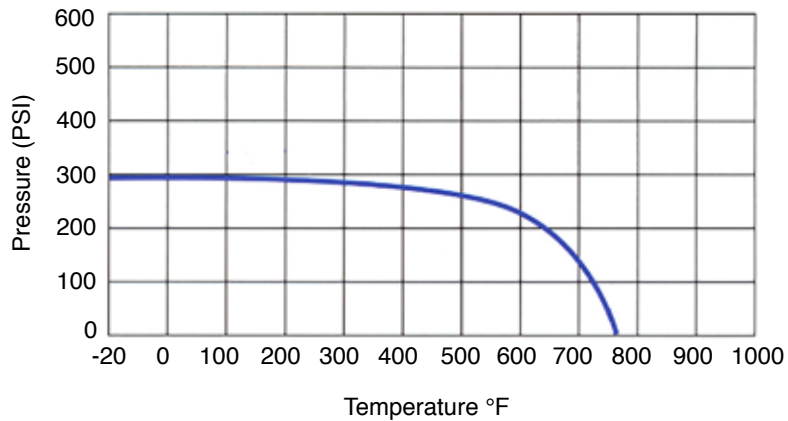


Torque is based on clean, clear liquid

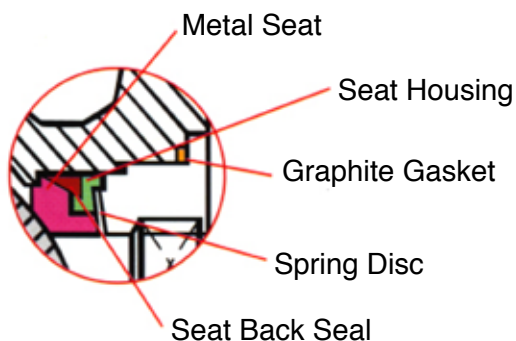
DM9900F SERIES - SIZE & CLASS (1-1/2" - 6")

Nominal Diameter		DM9900 Series Flanged Class 150	CV Max
inches	mm		
1-1/2"	40		--
2"	50		47
3"	80		160
4"	100		250
6"	150		540

PRESSURE TEMPERATURE CHART (ANSI 150 METAL SEAT)



METAL-TO-METAL CONTACT SEATS

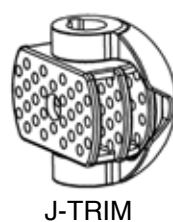
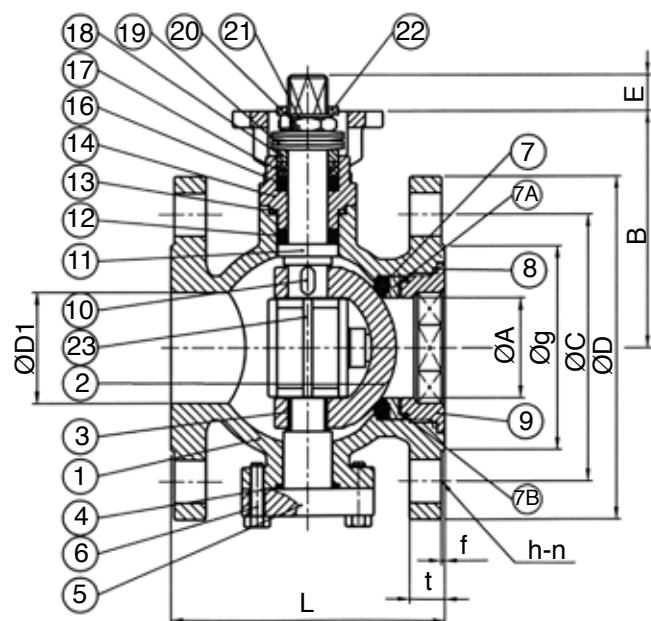
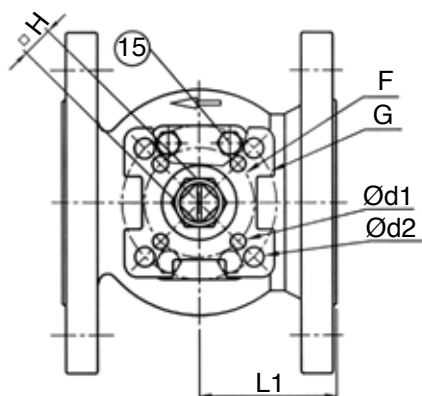


Suitable for erosive services, fibers, chemical fluids with suspended solids, and high temperature applications.

Metal seat with hardened stellite contact surface and 316 stainless steel segmented ball with tungsten carbide coating ANSI Class IV shutoff

DM9900-J Series Segmented & Anti-Cavitation V-Port Control Valve

DIMENSIONS



Size (in)	A	B	D1	E	F	G	d1	d2	H	L		
										ISA	Class 150	L1
1-1/2	1.378	4.252	1.496	0.55	1.969	2.756	0.276	0.362	0.551	4.50	6.50	2.244
2	1.772	4.433	1.969	0.55	1.969	2.756	0.276	0.362	0.551	4.88	7.00	2.441
3	2.598	5.520	3.248	0.94	2.756	4.016	0.362	0.449	0.669	6.50	8.00	3.425
4	3.157	6.087	3.839	0.94	2.756	4.016	0.362	0.449	0.669	7.62	9.00	4.047
6	4.488	7.559	6.024	1.02	4.016	4.921	0.449	0.531	0.866	9.00	10.5	4.881

Size (in)	Flange Dimensions (Class 150)						
	D	Bolt Hole			t	g	f
		C	h	n			
1-1/2	5.0	3.88	0.625	4	0.56	2.88	0.06
2	6.0	4.75	0.750	4	0.62	3.62	0.06
3	7.5	6.0	0.750	4	0.75	5.00	0.06
4	9.0	7.5	0.750	8	0.94	6.19	0.06
6	11.0	9.5	0.875	8	1.00	8.50	0.06

DM9900-J Series Segmented & Anti-Cavitation V-Port Control Valve

BILL OF MATERIALS

No	Description	Materials	No	Description	Materials
1	Body	A351 Gr. CF8M	12	Bearing	TFM 4215
2	Ball Segment	A351 Gr. CF8M	13	Bonnet Gasket	TFM 1600
3	Bearing	PTFE + 50% SS	14	Bonnet	A351 Gr. CF8M
4	Gasket	TFM 1600	15	Bonnet Bolts	SS 304
5	Trunnion Cap	A351 Gr. CF8M	16	Bearing	TFM 4215
6	Trunnion Cap Bolts	SS 304	17	Stem Packing	TFM 1600
7	Seat	TFM 1600	18	Gland	SS 304
7A	Seat Housing	SS 316	19	Belleville Washer	SS 304
7B	Back-up Seal	Viton (O-ring)	20	Stem Nut	SS 304
8	Insert Gasket	TFM 1600	21	Nut Stop	SS 304
9	Insert Cap	A351 Gr. CF8M	22	Space Washer	SS 304
10	Key	SS 316	23	Noise Reduction Plate	A351 Gr. CF8M
11	Stem	SS 316			

HOW TO ORDER

Sizes	Series	Body ¹ , Ball & Stem	Port	Body Seal	Packing
1-1/2"	9J	00 CF8	F Full	G Graphoil	G Graphoil
2"		0L CF3	R Reduced	T TFM1600	T TFM1600
3"		23 WCB, CF8M Ball & Stem		C TFM4215	C TFM4215
4"		33 CF8M			
6"		44 Alloy 20			
		55 Monel			
	6L CF3M				
	77 Hastelloy C				
	88 LCB				
	83 LCB, CF8M Ball & Stem				
	99 Duplex				
	AA A276 317				

Seat	End Connections	Option
M Metal	F1 ANSI 150 (ISA 75.04 f to f)*	AC Anti-Cavitation BS Bare Stem GO Gear Operator LD Locking Handle SE Stem Extension

¹ Please see the J Flow Controls Configurator for a full list of body materials



4665 Interstate Drive
Cincinnati, OH 45246
513-731-2900
jflowcontrols.com

While the information and specifications contained in this literature are believed to be accurate, they are supplied for informative purposes only and should not be considered certified or a guarantee of satisfactory results. Nothing contained herein is to be construed as a warranty or guarantee, express or implied, regarding any matter with respect to this product. Because J Flow Controls® is continually improving and upgrading its product design, the specifications, dimensions and information contained herein are subject to change without notice.