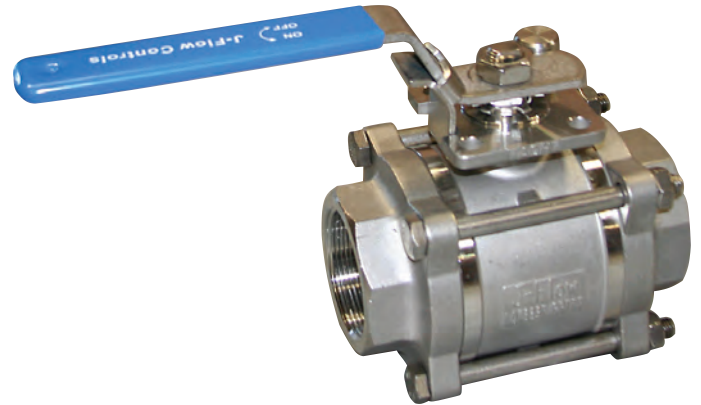


# LD7300 Series

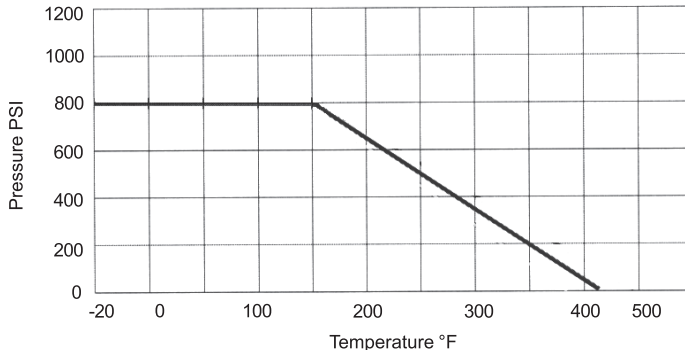
## Three Piece Ball Valves

### Features & Benefits

- For food and general chemical service applications
- Available in stainless steel or carbon steel
- Body and end cap are investment cast
- Self adjusting stem packing
- Blow-out proof stem design
- 100% air tested under water at 100 psi
- Temperature range -40°F to +450°F
- Working pressure: 1/4" - 1" at 1000 psi;  
1-1/2" - 2" at 800 psi
- ISO 4211 mounting pad
- End type: threaded, socket weld, butt weld, or flanged



### Temperature Chart (RPTFE Seats)



### Break-Torque Value (in/lbs at 0 psi)

1/4"	3/8"	1/2"	3/4"	1"	1-1/4"	1-1/2"	2"
65	65	95	125	175	250	375	485

### Ordering Schematic

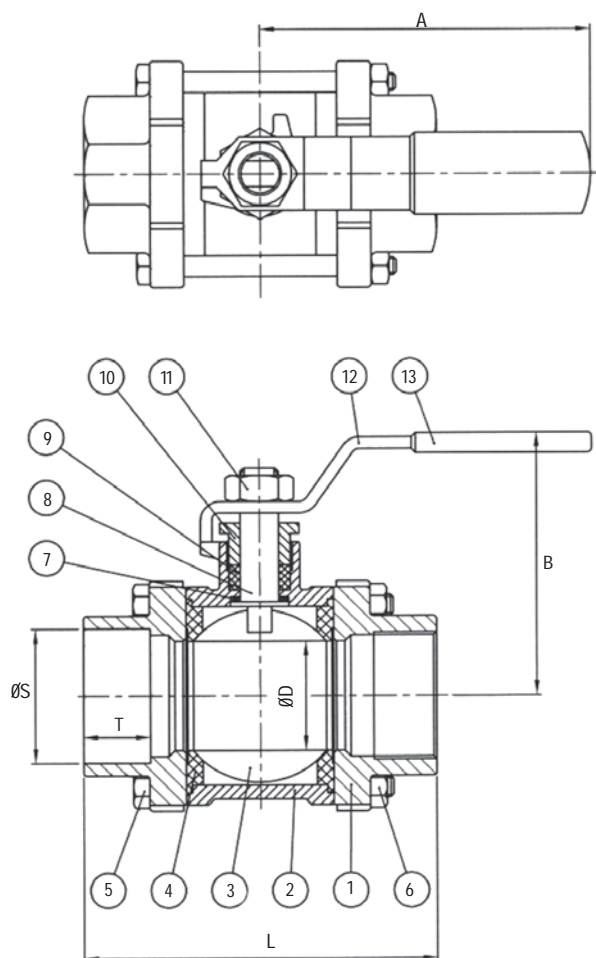
<input type="checkbox"/>	<input type="checkbox"/>	<input type="checkbox"/>	<input type="checkbox"/>	<input type="checkbox"/>	<input type="checkbox"/>	<input type="checkbox"/>	<input type="checkbox"/>
Size	Series	Material	Port Design	Packing	Seat**	End Connections	
1/4"	LD73 Series	22 Carbon	F Full Port	T Teflon	R RPTFE	S	Threaded
3/8"		33 Stainless				SW	Socket Weld
1/2"						SXW	SW x Threaded
3/4"						BW	Butt Weld
1"						F	Flanged
1-1/2"							
2"							

\*\* Consult factory for other seat availability

**J Flow Controls, LLC**

**J Flow Controls, LLC**  
 14 De Camp Ave. • Cincinnati, OH 45216  
 513-731-2900 • 1-866-95JFLOW • 513-731-6939  
 sales@jflowcontrols.com • www.jflowcontrols.com

# Engineering (1/4" - 3/8")



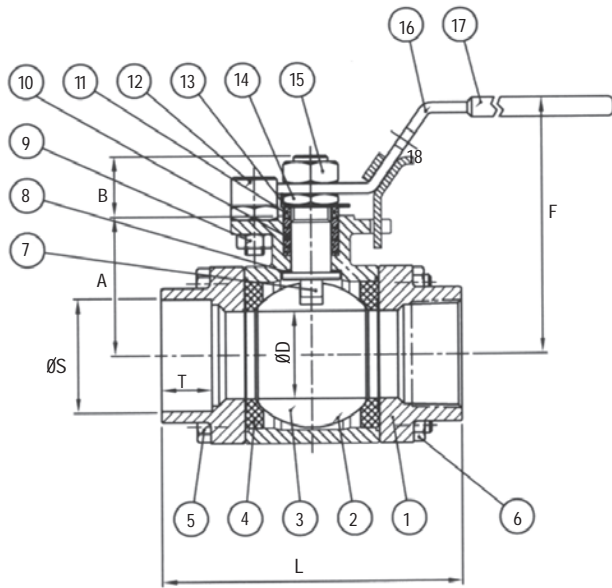
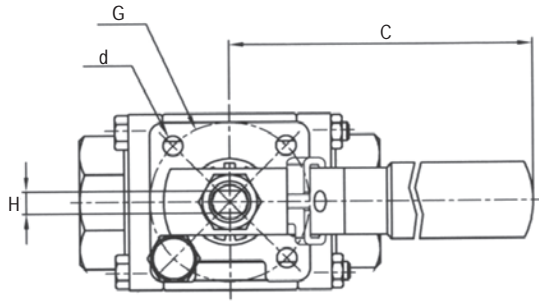
## Bill of Materials

No.	Name of Parts	Materials
1	End Cap	CF8M
2	Body	CF8M
3	Ball	SS 316
4	Ball Seats	RPTFE
5	Bolts	SS 304
6	Bolts Nut	SS 304
7	Thrust Washer	PTFE + Carbon
8	Stem	SS 316
90	Stem Packing	PTFE + Carbon
10	Gland	PSS 304
11	Handle Nut	SS 304
12	Handle	SS 304
13	Handle Cover	Pastisol

## Dimensions

Size	A	B	D	L	S	T
1/4"	3.86	1.77	12.8	2.54	0.56	0.44
3/8"	3.86	1.77	12.8	2.54	0.56	0.44

# Engineering (1/2" - 2")



## Bill of Materials

No.	Name of Parts	Materials
1	End Cap	CF8M
2	Body	CF8M
3	Ball	SS 316
4	Ball Seats	RPTFE
5	Bolts	SS 304
6	Bolts Nut	SS 304
7	Stem	SS 316
8	Thrust Washer	PTFE + Carbon
9	Stop Pin Nut	SS 304
10	Stem Packing	PTFE + Carbon
11	Gland	SS 304
12	Stop Pin	SS 304
13	Nut Stop	SS 304
14	Stem Nut	SS 304
15	Handle Nut	SS 304
16	Handle	SS 304
17	Handle Cover	Pastisol

## Dimensions

Size	A	B	C	D	d	F	G	H	L	S	T
1/2"	1.49	0.56	4.29	0.63	0.28	3.27	1.65	0.25	2.84	0.86	0.43
3/4"	1.65	0.76	5.00	0.81	0.28	3.39	1.97	0.25	3.48	1.06	0.56
1"	1.76	0.77	5.00	1.00	0.28	3.50	1.97	0.25	3.79	1.34	0.63
1-1/2"	2.39	1.04	8.27	1.53	0.35	4.21	2.76	0.37	5.20	1.93	0.87
2"	2.86	1.12	8.27	2.00	0.35	4.69	2.76	0.37	6.04	2.41	0.94

# **J Flow Controls, LLC**

**J Flow Controls, LLC**

**14 De Camp Ave. • Cincinnati, OH 45216**

**513-731-2900 • 1-866-95JFLOW • 513-731-6939**

**sales@jflowcontrols.com • www.jflowcontrols.com**