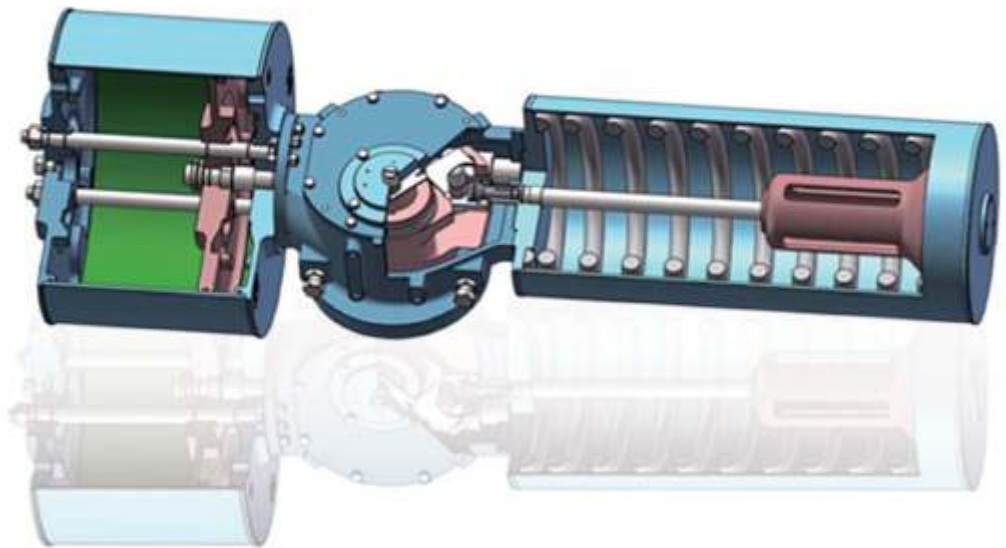


JFS Series

Scotch Yoke Actuators



EAC
SGS CE
MD 2006/42/EC



ATEX 94/9/EC

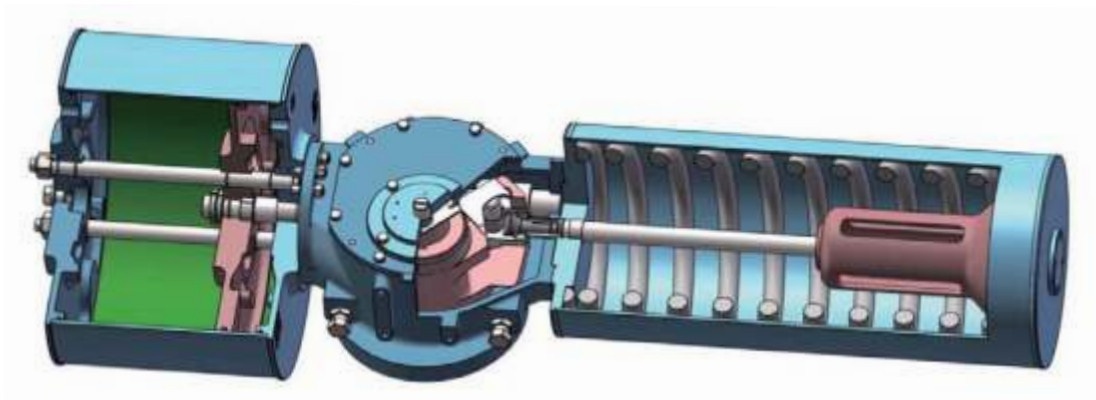
Model Pneumatic Yoke Type Actuator

- **Waterproof Protection**

O-Rings are fitted between body and cover and other connection position, this ensure waterproof protection.

- **Corrosion Resistant**

JFS actuator is sprayed with a multilayer protective coating to meet the environmental requirements of all kinds of working conditions. And the Teflon coating on the inner wall of the cylinder increases the corrosion resistance and the lubrication performance.



- **Application**

Pneumatic Operating Press.: 40 PSI - 90 PSI
Ambient Temperature: -40 F to 175 F

- **Cylinder With Internal Tension Rod**

The cylinder is designed with internal tension rod to reduce the size of the cylinder. And also the internal tension rod has the function of supporting and guiding for the piston to prevent the eccentric wear of the cylinder, so that the

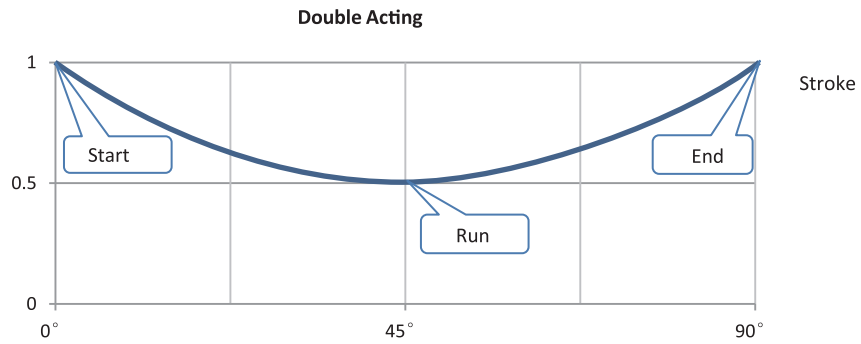
- **Modular Design**

JFS actuator used modular design, each body module can choose different cylinder modules and spring modules to meet the various needs of torque. Meanwhile, modular design makes assembly easier,

- **Wear Resistant**

Self-lubricating bearing is used on piston rod, guide bar and other moving parts, which provides excellent wear resistance and extends the life of the sliding parts.

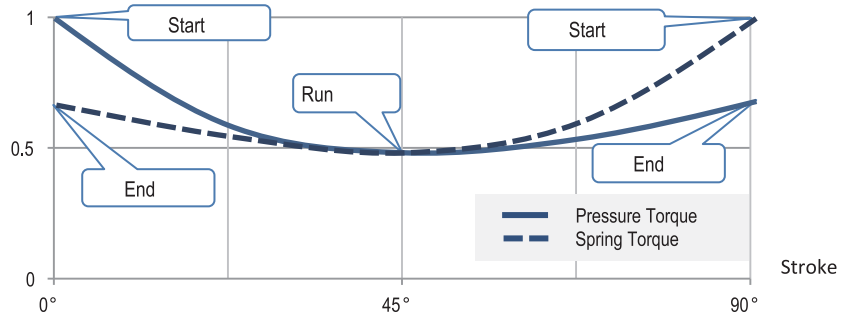
Torque Sheet



Please see JFS Series torque chart datasheet

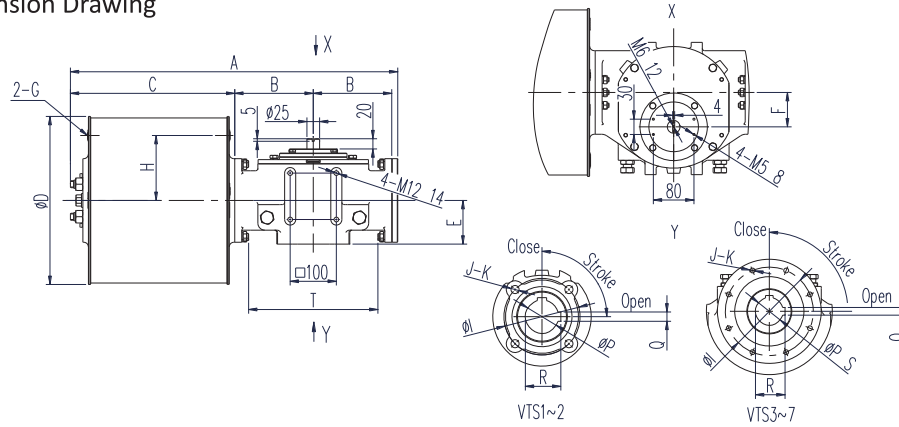
JFS Series - Spring Return Torque

Spring ReturnActing



Please see JFS Series torque chart datasheet

Double Acting Dimension Drawing



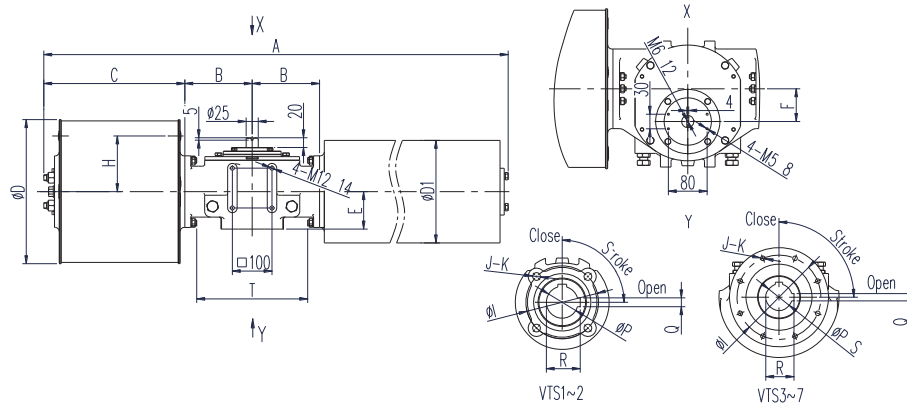
Dimensions

Double Acting - Dimensions

Unit: mm

Model	Dimensions														
	A	B	C	D	E	F	G NPT	H	I	J-K	P	S	Q	R	T
JFS1-200	658	145	356	223	88	60	1/2	80	140	4-M16	60	145	18	64.4	235
JFS1-250	658	145	356	280	88	60	1/2	110	140	4-M16	60	145	18	64.4	235
JFS1-300	658	145	356	332	88	60	1/2	124	140	4-M16	60	145	18	64.4	235
JFS1-350	658	145	356	362	88	60	1/2	132	140	4-M16	60	145	18	64.4	235
JFS2-300	709	170	356	332	94	74	1/2	124	165	4-M20	72	155	20	76.9	285
JFS2-350	709	170	356	362	94	74	1/2	132	165	4-M20	72	155	20	76.9	285
JFS2-400	725	170	372	413	94	74	3/4	158	165	4-M20	72	155	20	76.9	285
JFS3-350	828	195	423	362	98	89	1/2	132	254	8-M16	80	175	22	85.4	320
JFS3-400	828	195	423	413	98	89	3/4	158	254	8-M16	80	175	22	85.4	320
JFS3-500	828	195	423	514	98	89	3/4	202	254	8-M16	80	175	22	85.4	320
JFS4-400	982	238	492	413	115	108	3/4	158	298	8-M20	100	200	28	106.4	396
JFS4-500	982	238	492	514	115	108	3/4	202	298	8-M20	100	200	28	106.4	396
JFS4-600	982	238	492	616	115	108	3/4	244	298	8-M20	100	200	28	106.4	396
JFS5-500	1217	298	606	514	163	140	3/4	202	356	8-M30	160	295	40	169.4	505
JFS5-600	1217	298	606	616	163	140	3/4	244	356	8-M30	160	295	40	169.4	505
JFS5-700	1217	298	606	739	163	140	1	305	356	8-M30	160	295	40	169.4	505
JFS6-700	1536	370	766	739	203	171	1	305	406	8-M36	180	360	45	190.4	620
JFS6-800	1536	370	766	839	203	171	1-1/2	355	406	8-M36	180	360	45	190.4	620
JFS6-900	1536	370	766	947	203	171	1-1/2	402	406	8-M36	180	360	45	190.4	620
JFS7-800	1760	425	880	839	214	203	1-1/2	355	483	12-M36	220	380	50	231.4	690
JFS7-900	1760	425	880	947	214	203	1-1/2	402	483	12-M36	220	380	50	231.4	690
JFS7-1000	1760	425	880	1048	214	203	2	456	483	12-M36	220	380	50	231.4	690

Spring Return Acting Dimension Drawing



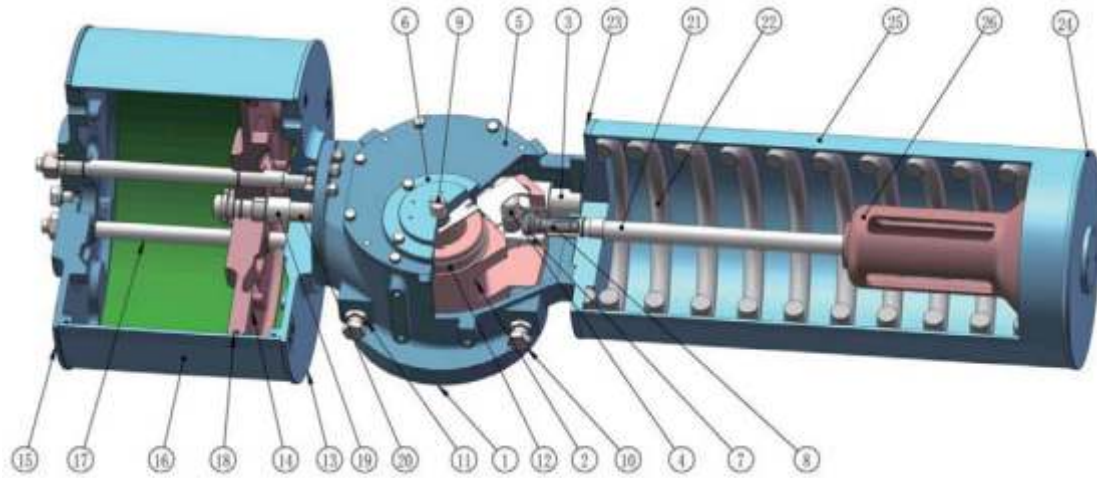
Dimensions

Spring Return - Dimensions

Unit: mm

Model	Dimensions															
	A	B	C	D	D1	E	F	G NPT	H	I	J-K	P	S	Q	R	T
JFS1-200-SR	1370	145	356	223	220	88	60	1/2	80	140	4-M16	60	145	18	64.4	235
JFS1-250-SR	1370	145	356	280	220	88	60	1/2	110	140	4-M16	60	145	18	64.4	235
JFS1-300-SR	1370	145	356	332	220	88	60	1/2	124	140	4-M16	60	145	18	64.4	235
JFS1-350-SR	1370	145	356	362	220	88	60	1/2	132	140	4-M16	60	145	18	64.4	235
JFS2-300-SR	1440	170	356	332	274	94	74	1/2	124	165	4-M20	72	155	20	76.9	285
JFS2-350-SR	1440	170	356	362	274	94	74	1/2	132	165	4-M20	72	155	20	76.9	285
JFS2-400-SR	1456	170	372	413	274	94	74	3/4	158	165	4-M20	72	155	20	76.9	285
JFS3-350-SR	1600	195	423	362	327	98	89	1/2	132	254	8-M16	80	175	22	85.4	320
JFS3-400-SR	1600	195	423	413	327	98	89	3/4	158	254	8-M16	80	175	22	85.4	320
JFS3-500-SR	1600	195	423	514	327	98	89	3/4	202	254	8-M16	80	175	22	85.4	320
JFS4-400-SR	1932	238	492	413	408	115	108	3/4	158	298	8-M20	100	200	28	106.4	396
JFS4-500-SR	1932	238	492	514	408	115	108	3/4	202	298	8-M20	100	200	28	106.4	396
JFS4-600-SR	1932	238	492	616	408	115	108	3/4	244	298	8-M20	100	200	28	106.4	396
JFS5-500-SR	2275	298	606	514	508	163	140	3/4	202	356	8-M30	160	295	40	169.4	505
JFS5-600-SR	2275	298	606	616	508	163	140	3/4	244	356	8-M30	160	295	40	169.4	505
JFS5-700-SR	2275	298	606	739	508	163	140	1	305	356	8-M30	160	295	40	169.4	505
JFS6-700-SR	2702	370	766	739	682	203	171	1	305	406	8-M36	180	360	45	190.4	620
JFS6-800-SR	2702	370	766	839	682	203	171	1-1/2	355	406	8-M36	180	360	45	190.4	620
JFS6-900-SR	2702	370	766	947	682	203	171	1-1/2	402	406	8-M36	180	360	45	190.4	620
JFS7-800-SR	3590	425	880	839	682	214	203	1-1/2	355	483	12-M36	220	380	50	231.4	690
JFS7-900-SR	3590	425	880	947	682	214	203	1-1/2	402	483	12-M36	220	380	50	231.4	690
JFS7-1000-SR	3590	425	880	1048	682	214	203	2	456	483	12-M36	220	380	50	231.4	690

Assembly Drawing



No.	Name	Material
1	Body	Ductile Iron
2	Yoke	Ductile Iron
3	Guide Bar	Alloy Steel
4	Pin	Alloy Steel
5	Body Cover	Ductile Iron
6	Cover	Carbon Steel
7	Guide Block	Ductile Iron
8	Connectors	Alloy Steel
9	Drive Shaft	Stainless Steel
10	Adjust Bolt	Stainless Steel
11	Nut	Stainless Steel
12	Yoke Bearing	DU Bearing
13	Cylinder Cover	Ductile Iron

No.	Name	Material
14	Piston	Ductile Iron
15	Cylinder Cover	Ductile Iron
16	Cylinder	Carbon Steel
17	Cylinder Tension Rod	Alloy Steel
18	Sealing Ring	NBR
19	Piston Rod	Alloy Steel
20	Piston Rod Bearing	DU Bearing
21	Tension Rod	Alloy Steel
22	Spring	Alloy Steel
23	Spring Cover	Carbon Steel
24	Spring Cover	Carbon Steel
25	Spring Cylinder	Carbon Steel
26	Spring Seat	Ductile Iron

Cylinder Volume

Unit : L

	Cylinder Effective Volume										
	200	250	300	350	400	500	600	700	800	900	1000
JFS1	6.8	10.6	15.4	18.2							
JFS2			15.4	18.2	21.3						
JFS3				21.7	27.5	43					
JFS4					33.7	53	76				
JFS5						59	100	145			
JFS6								180	234	296	
JFS7									275	353	430

Model Designation

Pneumatic Scotch Yoke Actuator	JFS		-		-				-		-	
Housing No. :												
Connection flange F14;		1										
Connection flange F16;		2										
Connection flange F25;		3										
Connection flange F30;		4										
Connection flange F35;		5										
Connection flange F40;		6										
Connection flange F48;		7										
Cylinder Size:												
Select the cylinder according to the torque sheet;			200~1000									
Actuator Type:												
Spring return type;						SR						
Double acting type;						DA						
Spring No.:												
Select the spring according to the torque sheet;							1~4					
Double acting type;												
Fail Position:												
Fail to close;								FC				
Fail to open;								FO				
Double acting;												
Manual Mode:												
Jack screw manual override;									MS			
Gearbox manual override;									MG			
Worm gear manual override;									MW			
Hydraulic manual override;									MH			
Without manual override;												
Temperature Range:												
Standard temperature -40 F to 175 F												
High temperature -4 F to 300 F												H



4665 Interstate Drive - Cincinnati OH 45246
 TOLL FREE PHONE: 866.95J.FLOW
 Phone: 513.731.2900 - Fax: 513.731.6939

The details of this catalog are subject to change without prior notification.