

## **STANDARDS**

- ISO 5211 mounting top and bottom
- NAMUR accessory mounting drilling top and bottom
- For both on-off and modulating applications



# **J Flow Controls JFD Series Spring & Diaphragm Actuators**

## **FEATURES & BENEFITS**

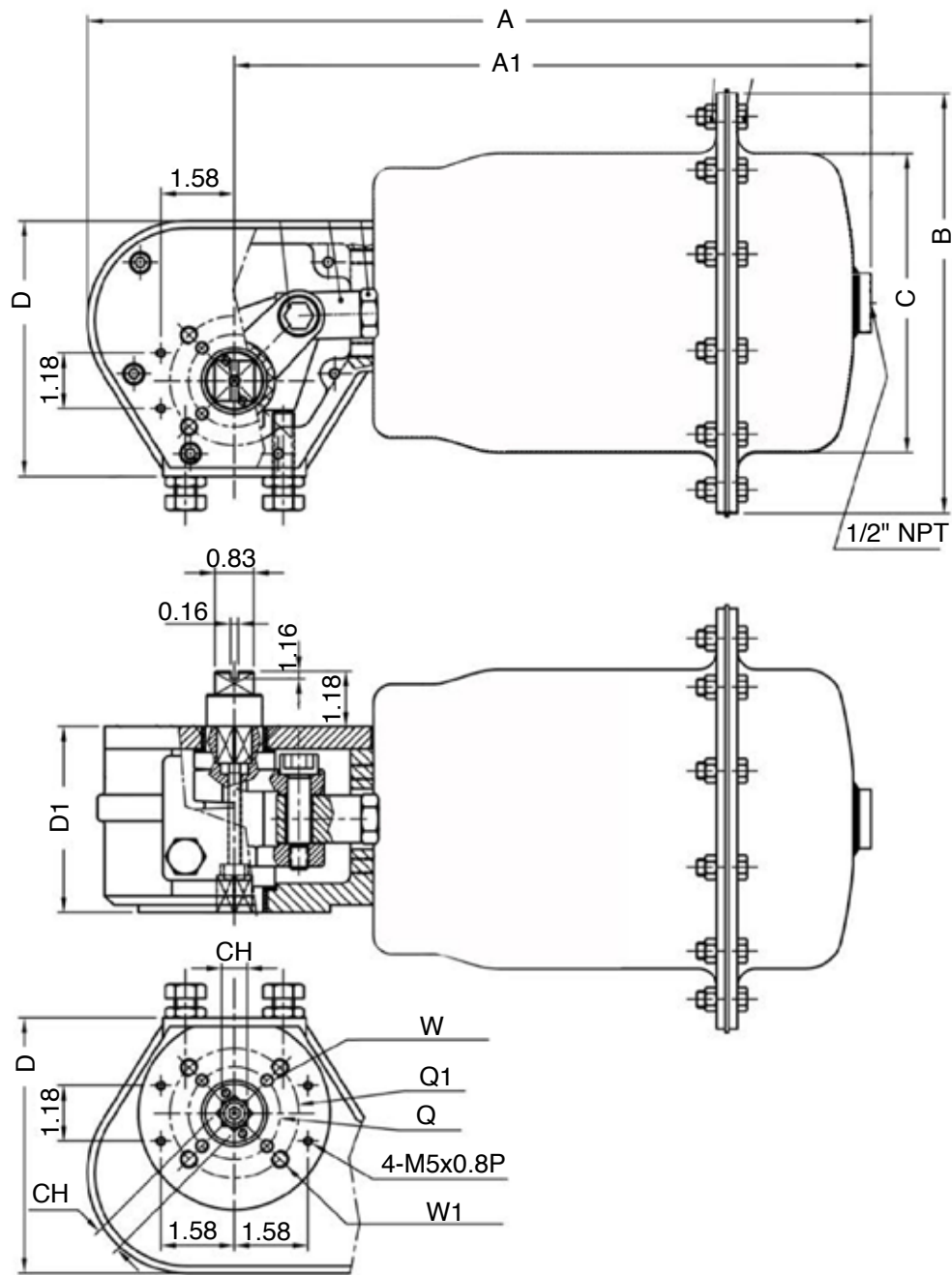
- Female Star Drive
- Adjustable travel stops for both fully open and fully closed positions
- High cycle life design
- Low maintenance
- Rolling diaphragm for linear torque output for accurate control
- One piece diaphragm retainer and Nylon bearings for low friction, smooth operation and long cycle life
- Field reversible for fail open/closed on rotary control valves and high performance butterfly valves
- Mechanical lockout option
- Adjustable travel stops for both open and closed positions

## **APPLICATIONS & INDUSTRIES**

- Air
- Gas
- Water
- Oil
- Other supply media compatible with the ductile iron/carbon steel casing of the actuator

# JFD Series Spring and Diaphragm Actuators

## Dimensions



Size	A	A1	B	C	D	D1	Q	Q1	W	W1	CH	ISO 5211	Wt (lbs)
JFD115SR	16.76	13.62	8.94	6.36	5.44	3.96	1.97	2.76	1/4-20 UNC	5/16-18 UNC	0.55	F05/07	29
JFD300SR	19.38	15.87	10.75	7.76	6.36	4.41	2.76	4.02	5/16-18 UNC	3/8-16 UNC	0.87	F07/10	73
JFD530SR	27.19	22.13	12.14	15.01	9.16	6.52	4.02	4.93	3/8-16 UNC	1/2-13 UNC	1.06	F10/12	237

## JFD Series Spring and Diaphragm Actuators

### Specifications

Part #	Total Volume in <sup>2</sup>	Swept Volume in <sup>2</sup>	Air Stroke (seconds)*	Spring Stroke (seconds)*	Effective Diaphragm Area - in <sup>2</sup>
JFD115SR	65	41	2	2	19
JFD300SR	199	138	5	1.5	39
JFD530SR	719	535	3	2	99

\* Times may vary due to application

### Torques (in-lb)

Part #	40 PSI		60 PSI		80 PSI	
	Spring End	Air End	Spring End	Air End	Spring End	Air End
JFD115	135	259	309	309	465	319
JFD300	695	795	1385	995	1795	1409
JFD530	3179	3695	4865	5509	6765	7095

Wide range of readily available STANDARD options such as:

- Direct mount declutchable and end mount manual overrides
- NAMUR and non-NAMUR limit switches, positioners, and/or position transmitters
- Pipe nipple mounted solenoid valves
- Stainless steel tubing and fittings

#### J-Flow Actuators, Matched for High Performance

##### J-Flow manufactures J-Torq™ actuators in three different versions

- J-Flow's JFD Spring & Diaphragm Actuator for compact, precise control in easy field changeable fail open and fail closed. Actuator to valve mounting complies with ISO 5211 standard and positioner mounting complies with NAMUR standard. Three different sizes are available for actuation up through 12" J-Flow DM9900F segmented V-ball control valves
- J-Flow's JFC Double Rack and Pinion Actuator for compact, precise control in both double acting and spring return designs. Actuator to valve mounting complies with ISO 5211 standard and positioner mounting complies with NAMUR standard. Several different sizes are available for actuation up through 12" J-Flow DM9900F segmented V-ball control valves
- J-Flow's larger JFE Electric Actuator for compact, precise control in both fail last and fail (open or closed). Control boards are available for a variety of input and output control signals. Actuator to valve mounting complies with ISO 5211. Optional enclosures are available to meet many of the required electrical area classifications.

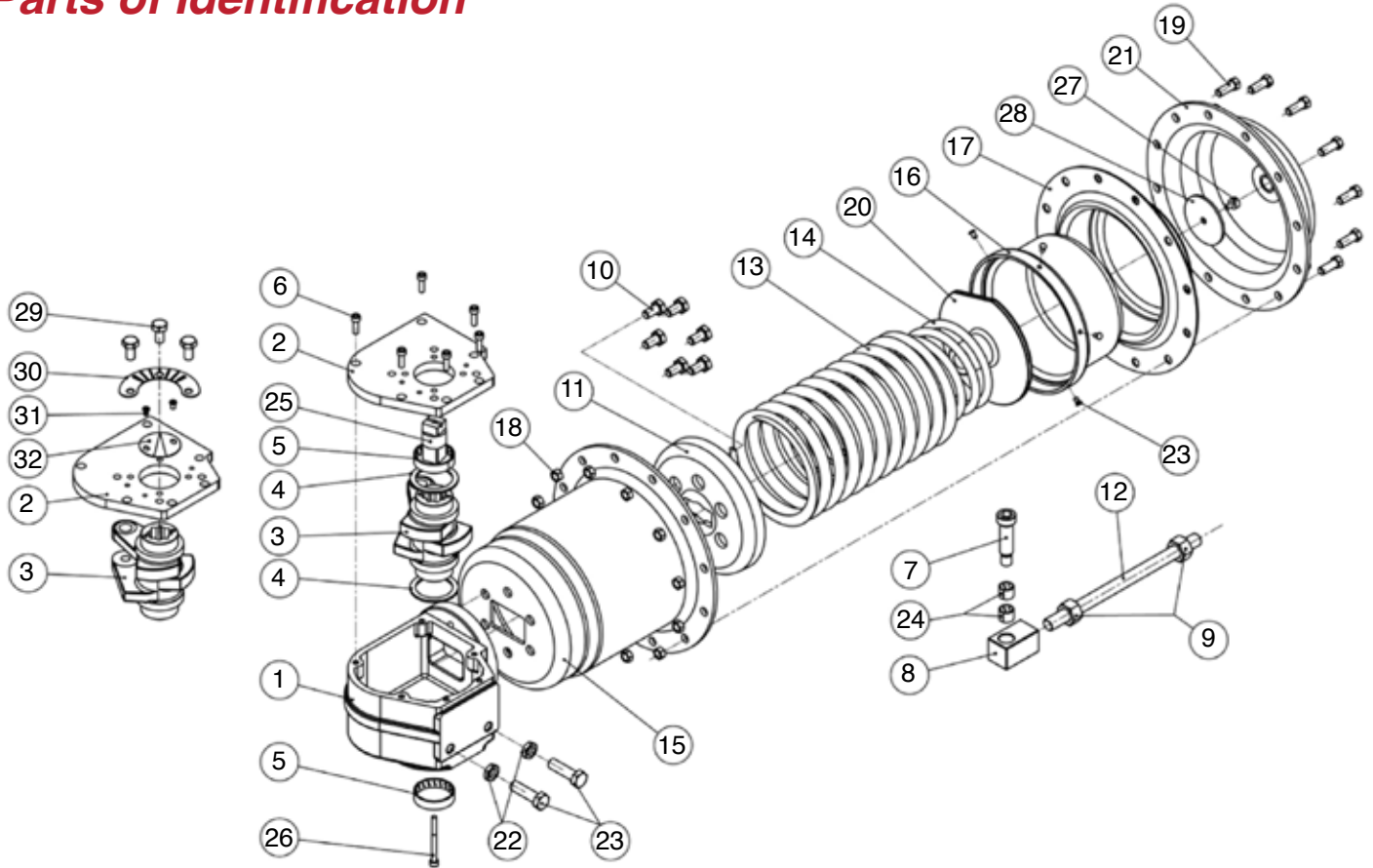
### HOW TO ORDER

Series	Size	Design	Spring Rating
JFD	115	SR Spring Return	40
	300		60*
	530		80

\* Standard 60 psig spring

# JFD Series Spring and Diaphragm Actuators

## Parts of Identification



Part No.	Name	Materials	Qty	Part No.	Name	Materials	Qty
1	Drive Body	Ductile Iron	1	18	Nut	2H	12
2	Drive Cap	ANSI 1010	1	19	Bolts	B7	12
3	Drive Stem	Ductile Iron	1	20	Spring Bracket	Ductile Iron	1
4	Bearing	--	2	21	Diaphragm Cover	ANSI 1010	1
5	Thrust Washer	POM	2	22	Nut	Carbon Steel	2
6	Body Bolts	SS 304	3	23	Adjust Bolt	Carbon Steel	2
7	Drive Pin	ANSI 4135	1	24	Bearing	--	2
8	Adapter	ANSI 1045	1	25	Adapter	Carbon Steel	1
9	Nut	2H	2	26	Bolt	SS 304	1
10	Bolts	B7	6	27	Bolt	SS 304	1
11	Spring (base)	ANSI 1010	1	28	Diaphragm Washer	SS 304	1
12	Shaft	ANSI 4135	1	28	Bolts	SS 304	3
13	Spring (large)	JIS SUP3	1	30	Indicator Plate	Aluminum	1
14	Spring (small)	JIS SUP3	1	31	Bolts	SS 304	2
15	Spring Box	ANSI 1010	1	32	Indicator Pointer	Aluminum	1
16	Spring Cover	ANSI 1010	1	33	Nylon Guide	Nylon	6
17	Diaphragm	Rubber	1				

While the information and specifications contained in this literature are believed to be accurate, they are supplied for informative purposes only and should not be considered certified or a guarantee of satisfactory results. Nothing contained herein is to be construed as a warranty or guarantee, express or implied, regarding any matter with respect to this product. Because J Flow Controls® is continually improving and upgrading its product design, the specifications, dimensions and information contained herein are subject to change without notice.