



## STANDARDS

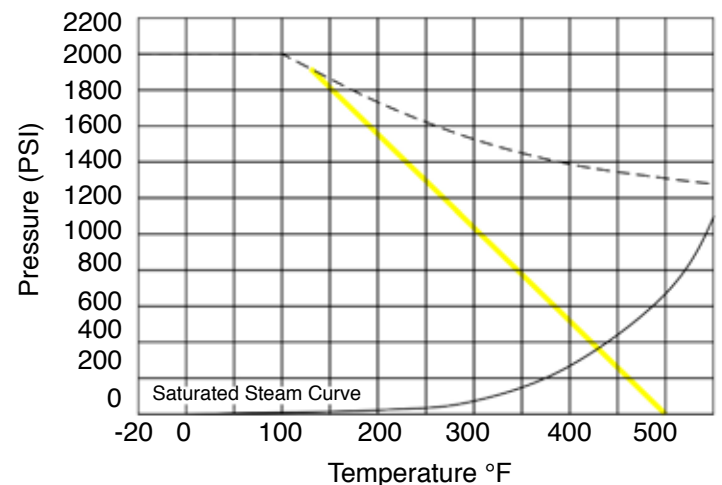
- Valve design: ASME B16.34
- Approved according to European Directive 97/23/EC
- Valve test: API 598 and MSS SP-72
- CRN # available
- Fire safe: API 607 5th Edition
- Explosion prevention: ATEX Directive 94/9/EC
- End connections: ASME B16.34

# J Flow Controls **FSLD3500 Series** Two Piece Fire Safe Ball Valves

## FEATURES & BENEFITS

- Applications where economical fire-safe ball valves are required
- Special 360° all around welding design to prevent external leakage
- Body and end caps high quality investment cast
- Available in Stainless Steel and Carbon Steel
- Blow-out proof stem design
- Includes fire-safe lip, graphite seals, and anti-static devices
- Temperature range: -20°F to 500°F
- End type: NPT / BSPT
- Pressure rating: 2000 psi (wog) (1/4" - 2");  
1000 psi (wog) (2-1/2" - 4")  
200 psi with Saturated Steam
- MTR Reports available

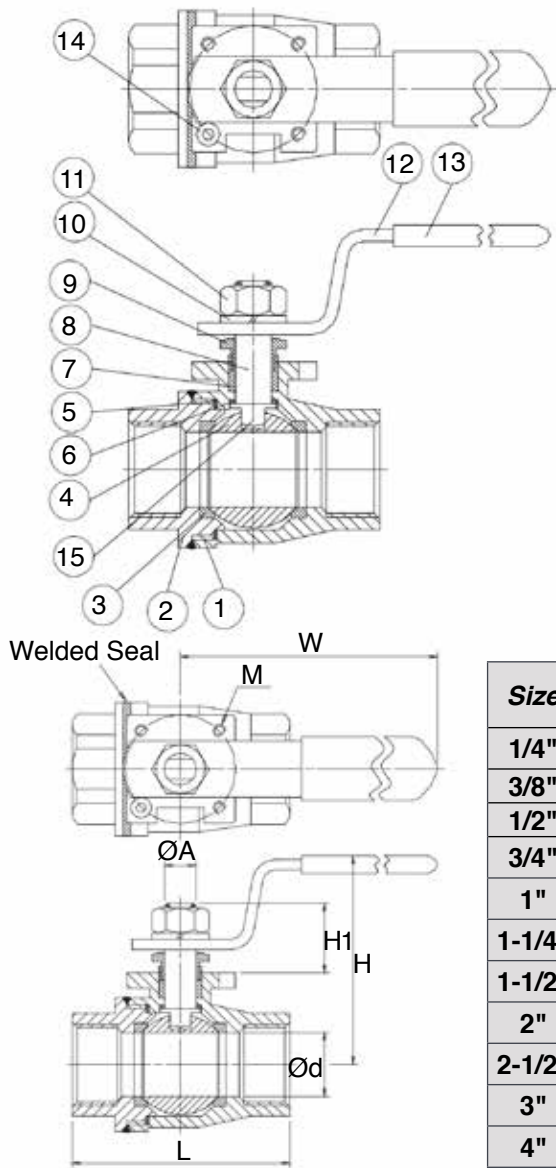
## PRESSURE/TEMPERATURE CHART



■ TFM1600

## FSLD3500 Series Ball Valves

### BILL OF MATERIALS & DIMENSIONS



No	Part Name	Materials
1	Body	CF8M/WCB
2	End Cap	CF8M/WCB
3	Ball Seat	TFM
4	Solid Ball	CF8M
5	Body Seal	Graphite
6	Thrust Washer	Graphite
7	Stem Packing	Graphite
8	Stem	SS316
9	Gland Nut	SS304
10	Spring Washer	SS304
11	Nut	SS304
12	Handle	SS304
13	Handle Sleeve	Vinyl
14	Handle Nut	SS304
15	Anti-Static	SS316/SS304

Size	d	L	W	H	A	H1	M	ISO 5211	TORQUE (IN-LB)
1/4"	0.43	2.32	5.31	2.13	0.31	0.59	M5	F03	30
3/8"	0.49	2.32	5.31	2.13	0.31	0.59	M5	F03	30
1/2"	0.59	2.40	5.31	2.20	0.31	0.67	M5	F03	35
3/4"	0.79	2.87	5.31	2.52	0.39	0.79	M5	F03	39
1"	1.00	3.35	6.50	2.68	0.47	0.98	M5	F04	82
1-1/4"	1.26	3.82	6.50	2.91	0.47	0.98	M5	F04	121
1-1/2"	1.50	4.53	6.89	3.54	0.55	0.98	M6	F05	165
2"	1.97	5.28	6.89	3.94	0.55	0.98	M6	F05	182
2-1/2"	2.56	6.61	10.24	5.39	0.79	1.57	M8	F07	365
3"	3.15	7.52	10.24	5.79	0.79	1.57	M8	F07	1086
4"	3.94	9.09	11.02	6.93	0.98	1.81	M10	F10	1268

### HOW TO ORDER

Sizes	Series	Body, Ball & Stem	Port	Body Seals	Packing					
1 1/4"	35	23 WCB A216, CF8M Ball & Stem	F Full Port	G Graphite	G Graphite					
2 3/8"		33 316S CF8M								
3 1/2"										
4 3/4"										
5 1"										
0 1-1/4"										
6 1-1/2"										
7 2"										
8 2-1/2"										
9 3"										
A 4"										
		<table border="1" style="width: 100%;"> <thead> <tr> <th>Seat</th> <th>End Connections</th> <th>Options</th> </tr> </thead> <tbody> <tr> <td>TM TFM1600</td> <td>FPT Female NPT FMT Female Metric THD</td> <td>LD Locking Handle SE Stem Extension VB Vented Ball</td> </tr> </tbody> </table>	Seat	End Connections	Options	TM TFM1600	FPT Female NPT FMT Female Metric THD	LD Locking Handle SE Stem Extension VB Vented Ball		
Seat	End Connections	Options								
TM TFM1600	FPT Female NPT FMT Female Metric THD	LD Locking Handle SE Stem Extension VB Vented Ball								