



STANDARDS

- MTR Reports available
- Valve body: ASME B16.34
- Material certification: EN10204-3.1 MTR
- Quality assurance: ISO 9001:2008
- Steel casting: MSS SP-55
- Valve marking: MSS SP-25
- Valve test: API 598
- Direct mount: ISO 5211
- End connection: ASME B1.20.1, ASME B16.11, ASME B16.25, ASME B16.5
- Sulfide stress cracking: NACE MR-01-75

J Flow Controls **DMHP3(4)L(T)2A00 Series** Direct Mount Three Way Ball Valves

FEATURES & BENEFITS

- Four seat design
- Body and end caps quality investment casting
- Available in Stainless Steel and Carbon Steel
- Available in L / T / X / I-port
- Trunnion and full bore design
- Available in 3 / 4 -way in block body type
- 100% air tested under water at 80 - 100 psi
- Temperature range from -20°F to 450°F
- End type: butt weld, flanged, socket weld, threaded
- Locking function
- Working pressure: TFM1600 / TFM 4215 - Class 600; Delrin / PEEK - Class 900 / 1500
- For Class 1500: 1/2" - 1-1/4" (3600 psi); 1-1/2" - 2" (3000 psi)
- Fugitive emission bonnet
- CRN Registered

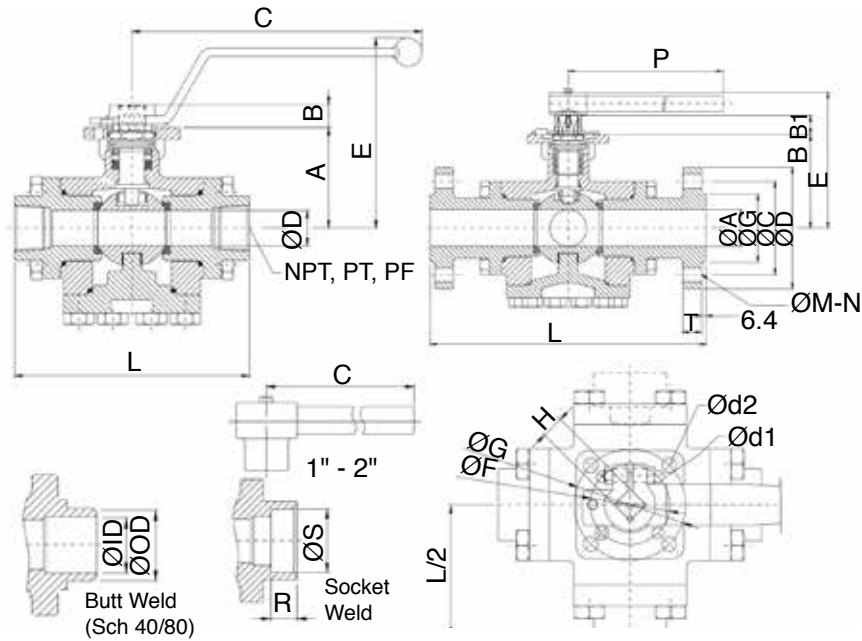
OPTIONS

- Automation applicable
- PTFE / PFA coating (40 - 70 um)
- TFM1600 / TFM4215 / Delrin / PEEK / Carbon PEEK
- Cavity Filler
- 180 degree operation stop plate
- Hastalloy C / Alloy 20 / Super Duplex / Monel
- Fire safe design
- Spring return (dead man) handle
- Stem extensions
- Fugitive emissions bonnet

DMHP3(4)L(T)2A00 Series Ball Valves

DIMENSIONS

Threaded



THREADED

Size	A	B	C	D	E	F	G	d1	d2	H	L	SW		BW (#40)		BW (#80)	
												S	R	OD	ID	OD	ID
1/4"	1.73	0.39	5.12	0.43	3.86	1.42	1.97	0.24	0.28	0.35	4.09	0.56	0.44	0.54	0.39	0.54	0.30
3/8"	1.73	0.39	5.12	0.47	3.86	1.42	1.97	0.24	0.28	0.35	4.09	0.69	0.44	0.67	0.47	0.67	0.42
1/2"	2.05	0.47	6.30	0.59	4.41	-	1.97	-	0.28	0.43	4.72	0.85	0.50	0.84	0.62	0.84	0.55
3/4"	2.48	0.47	6.30	0.79	4.84	-	1.97	-	0.28	0.43	5.98	1.07	0.56	1.05	0.82	1.05	0.74
1"	2.87	0.59	8.07	0.98	5.31	1.97	2.76	0.28	0.36	0.55	6.54	1.33	0.63	1.31	1.05	1.31	0.95
1-1/2"	3.62	0.71	9.84	1.50	5.31	2.76	4.02	0.36	0.45	0.67	8.54	1.91	0.75	1.90	1.61	1.90	1.50
2"	5.00	1.02	12.2	1.97	7.20	4.02	4.92	0.45	0.53	0.67	10.47	2.41	0.87	2.37	2.07	2.37	1.94

FLANGED

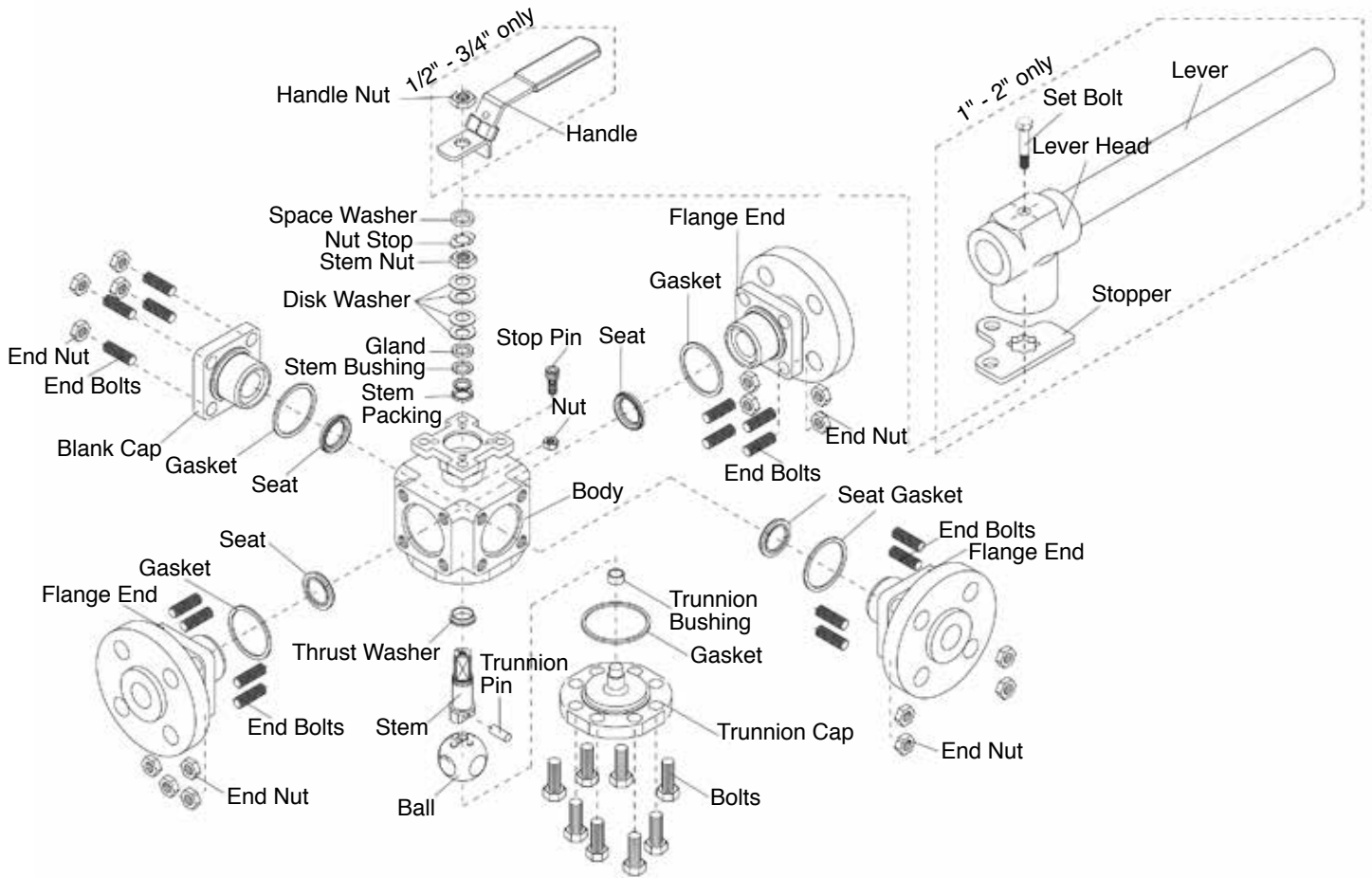
Size	A	B	B1	E	F	G	d1	d2	H	P
1/2"	0.59	2.05	0.43	4.41	-	1.97	-	0.28	0.43	6.30
3/4"	0.79	2.48	0.43	4.84	-	1.97	-	0.28	0.43	6.30
1"	0.98	2.87	0.55	4.96	1.97	2.76	0.28	0.36	0.55	12.20
1-1/2"	1.50	3.62	0.67	5.71	2.76	4.02	0.36	0.45	0.67	12.20
2"	1.97	5.00	1.02	7.48	4.02	4.92	0.45	0.53	0.87	12.20

Size	CLASS 600						
	C	D	G	T	M	N	L
1/2"	2.62	3.75	1.38	0.56	0.63	4	8.27
3/4"	3.25	4.62	1.69	0.62	0.75	4	9.76
1"	3.50	4.88	2.01	0.69	0.75	4	10.75
1-1/2"	4.50	6.12	2.87	0.88	0.87	4	13.50
2"	5.00	6.50	3.62	1.00	0.75	8	14.76

Size	CLASS 900						
	C	D	G	T	M	N	L
1/2"	3.25	4.75	1.38	0.88	0.87	4	8.50
3/4"	3.50	5.12	1.69	1.00	0.87	4	10.04
1"	4.00	5.89	2.01	1.12	1.00	4	11.06
1-1/2"	4.88	7.00	2.87	1.25	1.12	4	13.98
2"	6.50	8.50	3.62	1.50	1.00	8	15.55

DMHP3(4)L(T)2A00 Series Ball Valves

BILL OF MATERIALS (1/4" - 2")



Part Name	Threaded	Flanged	Part Name	Threaded	Flanged
Body	CF8M/WCB	CF8M/WCB	Nut Stop	SS304	SS304
End Cap	CF8M/WCB	CF8M/WCB	Handle Bolts	SS304	SS304
Seat	Delrin/PEEK	TFM/Delrin/PEEK	Handle Nut	SS304	SS304
Ball	SS316	SS316	Handle	CF8	CF9
Gasket	TFM/Graphite	TFM/Graphite	Trunnion Bushing	Delrin/PEEK	Delrin/PEEK
Bolts	SS304	SS304	Trunnion Cap	CF8M/WCB	CF8M/WCB
Trunnion Pin	SS316	SS316	Gasket	TFM/Graphite	TFM/Graphite
Stem	SS316	SS316	Trunnion Bolt	SS304	SS304
Thrust Washer	PEEK	PEEK	Blank Cap	CF8M/WCB	CF8M/WCB
Stem Packing	TFM/Graphite	TFM/Graphite	Stop Pin	SS304	SS304
Stem Bushing	Delrin/PEEK	Delrin/PEEK	Lever Head	CF8	SS304
Gland	SS304	SS304	Set Bolt	SS304	SS304
Disk Washer	SS301	SS301	Lever	Carbon Steel	SS304/CS
Stem Nut	SS304	SS304			

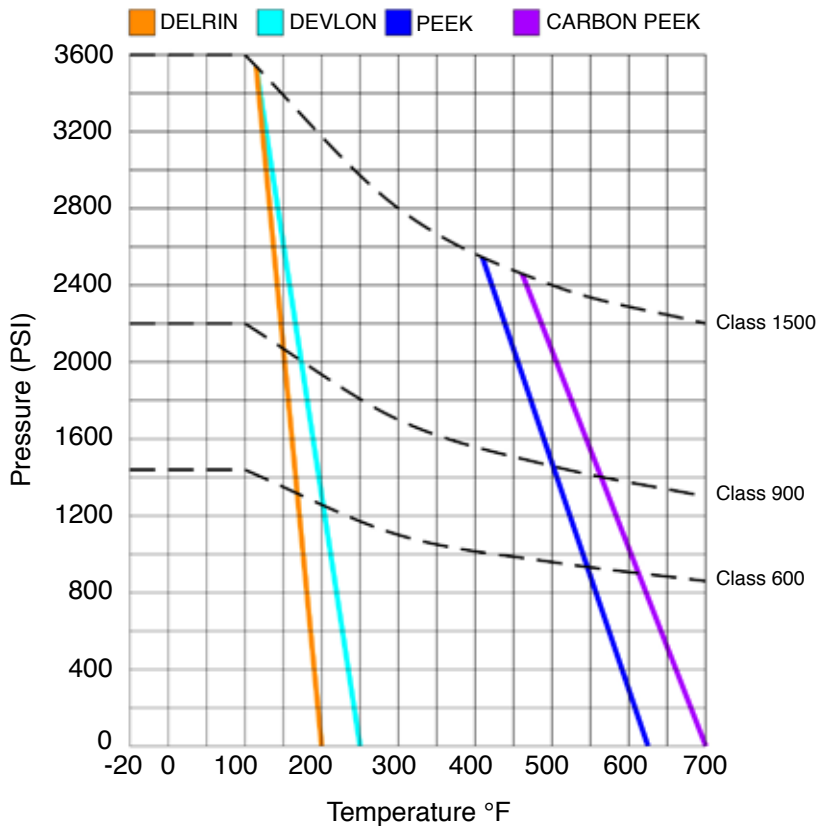
BREAK-TORQUE VALUE (IN-LB AT 0 PSI)

Size	1/4"	3/8"	1/2"	3/4"	1"	1-1/4"	1-1/2"	2"
Grease	243.40	243.40	243.40	403.59	486.79	-	778.87	1168.3
Non-Grease	311.55	311.55	311.55	550.52	681.51	-	1070.9	1655.1
At 3000 PSI	389.43	389.43	389.43	679.74	827.54	-	1752.4	3018.1

Note 1: The greases J Flow Controls uses include lubricants and anti-seize that are both SILICONE-FREE

Note 2: J Flow Controls strongly suggests increasing the torque at least 30% - 40% for safety factor when mounting an actuator

PRESSURE/TEMPERATURE CHART



FLOW PATTERN

3-WAY

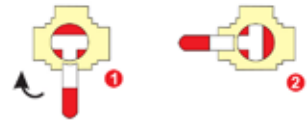
L3-90°
STANDARD



T3-90°
STANDARD



T4-90°



T5-90°



T6-90°



4-WAY

L5-180°



T5-180°



X-90°



I-90°



HOW TO ORDER

Sizes	Series	Body ¹ , Ball & Stem	Port	Body Seal
3 1/2"	HL	00 CF8	F Full Port	T TFM1600
4 3/4"	HT	0L CF3	L2 3-Way Port L2 - 90°	G Graphite
5 1"	H4	23 WCB, CF8M Ball & Stem	L3 3-Way Port L3 - 90°	
6 1-1/2"		33 CF8M	T3 3-Way Port T3 - 90°	
7 2"		44 Alloy 20	T4 3-Way Port T4 - 90°	
		55 Monel	T5 3-Way Port T5 - 90°	
		6L CF3M	T6 3-Way Port T6 - 90°	
		77 Hastelloy C		
		88 LCB		
		83 LCB, CF8M Ball & Stem		
		99 Duplex		

Packing	Seat	End Connections	Options
T TFM1600	L Delrin	F6 ANSI 600 RF Flange	LD Locking Handle
G Graphite	D Devlon	F9 ANSI 900 RF Flange	SH Spring Handle
	P PEEK	F5 ANSI 1500 RF Flange	GO Gear Operator
	6 Carbon PEEK	SW Socket Weld	SE Stem Extension
		FT Female NPT	
		B1 Butt Weld Sch 10	
		B4 Butt Weld Sch 40	
		WB8 Butt Weld Sch 80	

¹ Please see the J Flow Controls Configurator for a full list of body materials

J Flow Controls®
 4665 Interstate Drive
 Cincinnati, OH 45246
 513-731-2900
jflowcontrols.com

While the information and specifications contained in this literature are believed to be accurate, they are supplied for informative purposes only and should not be considered certified or a guarantee of satisfactory results. Nothing contained herein is to be construed as a warranty or guarantee, express or implied, regarding any matter with respect to this product. Because J Flow Controls® is continually improving and upgrading its product design, the specifications, dimensions and information contained herein are subject to change without notice.