



STANDARDS

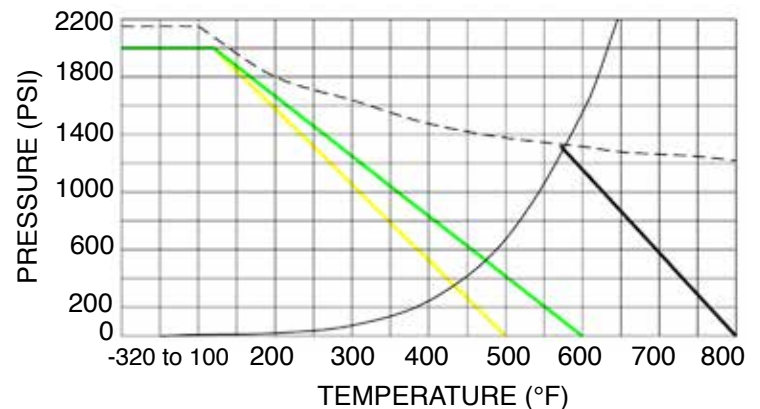
- Face to face dimension: ANSI B16.10
- Flanged dimension: ANSI B16.5
- Wall thickness: ANSI B16.34
- Flanged finish: MSS SP-6
- Pressure test and inspection: API 598
- With ISO 5211 mounting pads
- Valve Marking: MSS SP25
- Steel Casting: MSS SP55
- Fire safe design to API 607, 6th Ed.

J Flow Controls DBDM4600 Series Double Block & Bleed Ball Valve

FEATURES & BENEFITS




- True double positive isolation
- Body and end caps are investment cast
- Self adjusting stem packing
- Blow-out proof stem design
- Working pressure of 2160 psi
- Temperature range of -320°F to 800°F
- With locking function
- MTR Reports available
- CRN numbers available

PRESSURE/TEMPERATURE CHART



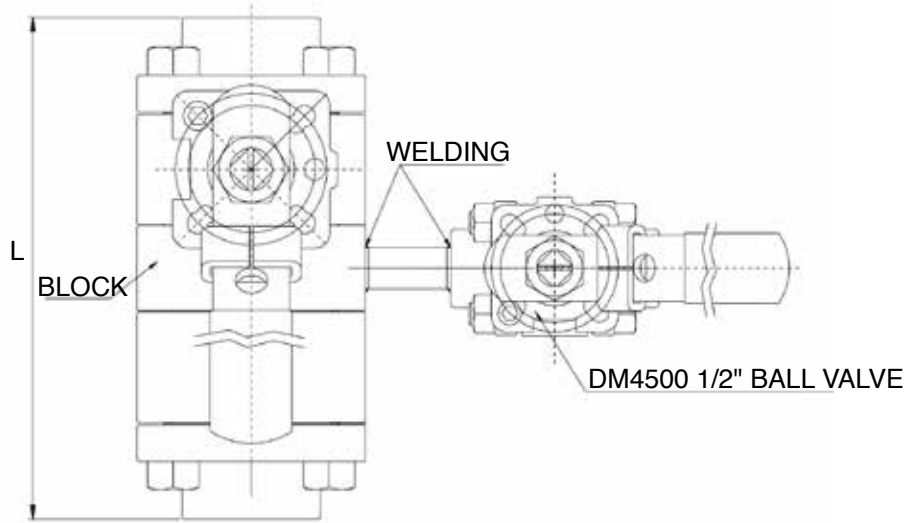
OPTIONS

- Spring return (dead-man) handle
- V-ball for control valve (ball valve type)
- Cryogenic bonnet
- Fugitive emission bonnet
- PTFE / PFA coating (40 - 70 um)

-  TFM1600
-  TFM4215
-  CF8M

DBDM4600 Series Ball Valves

DIMENSION



Size (in)	L
1/2	4.87
3/4	5.98
1	6.83
1-1/2	8.43
2	10.17

HOW TO ORDER

Sizes	Series	Body ¹ , Ball & Stem	Port	Body Seal	Packing
1 1/4"	B46	00 CF8	F Full Port	T TFM 1600	T TFM 1600
2 3/8"		0L CF3		C TFM4215	C TFM4215
3 1/2"		23 WCB, CF8M Ball & Stem		G Graphite	G Graphite
4 3/4"		33 CF8M			
5 1"		44 Alloy 20			
0 1-1/4"		55 Monel			
6 1-1/2"		6L CF3M			
7 2"		77 Hastelloy C			
8 3"		88 LCB			
9 4"	83 LCB, CF8M Ball & Stem				
		99 Duplex			

Seat	End Connections	Options
T TFM 1600	F1 ANSI 150 RF Flange	LD Locking Handle
C TFM4215	F3 ANSI 300 RF Flange	SH Spring Handle
M Metal	F6 ANSI 600 RF Flange	GO Gear Operator
	B1 SW X FNPT (Block), FNPT (Bleed)	BS Bare Stem
	B2 SW X SW (Block), FNPT (Bleed)	FS Fire Safe
	B3 SW X SW (Block), SW (Bleed)	FE Fugitive Emission
		SE Stem Extension
		VB Vented Ball

¹Please see the J Flow Controls Configurator for a full list of design options