



STANDARDS

- Face to face dimension: ANSI B16.10
- Flange dimension: ANSI B16.5
- Wall thickness: ANSI B16.34
- Flanged finish: MSS SP-6
- Pressure Test & Inspection: API 598
- Steel Casting MSS SP55
- Valve Marking MSS SP25
- API 607 6th edition certified
- CRN numbers available

J Flow Controls DBDM2500 Series Double Block & Bleed Ball Valve

FEATURES & BENEFITS

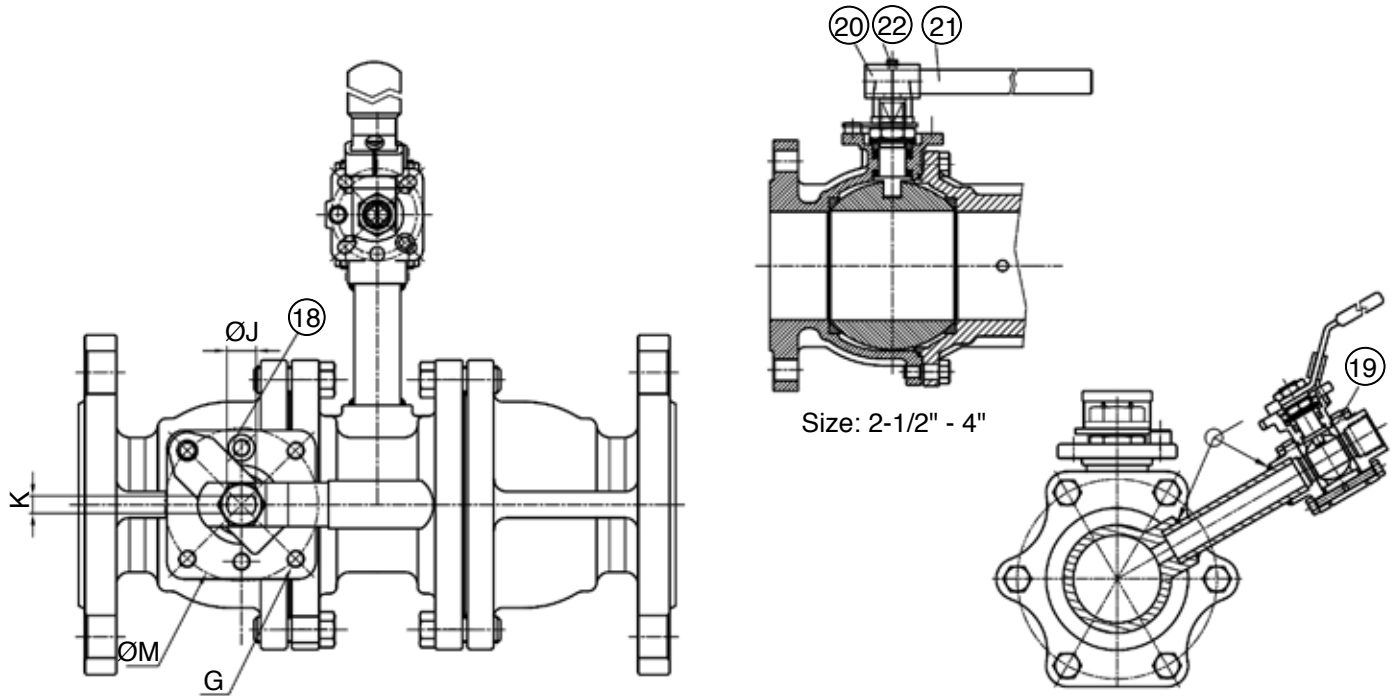
- Available in Stainless Steel or Carbon Steel
- Body and end caps are investment cast
- Self adjusting stem packing
- Blow-out proof stem design
- ISO 5211 mounting pad
- Spring return (dead man) handle
- Direct mount double block and bleed valve
- True double positive isolation
- MTR reports available
- Optional lockout handle
- Fugitive emission bonnet available
- Stem extensions

APPLICATIONS & INDUSTRIES

- Meter calibration market
- Liquid service near waterways or municipalities
- Transmission and storage markets
- Chemical injection & sampling
- Isolate instrumentation such as pressure indicators and lever gauges
- Primary process steam

DBDM2500 Series Ball Valves

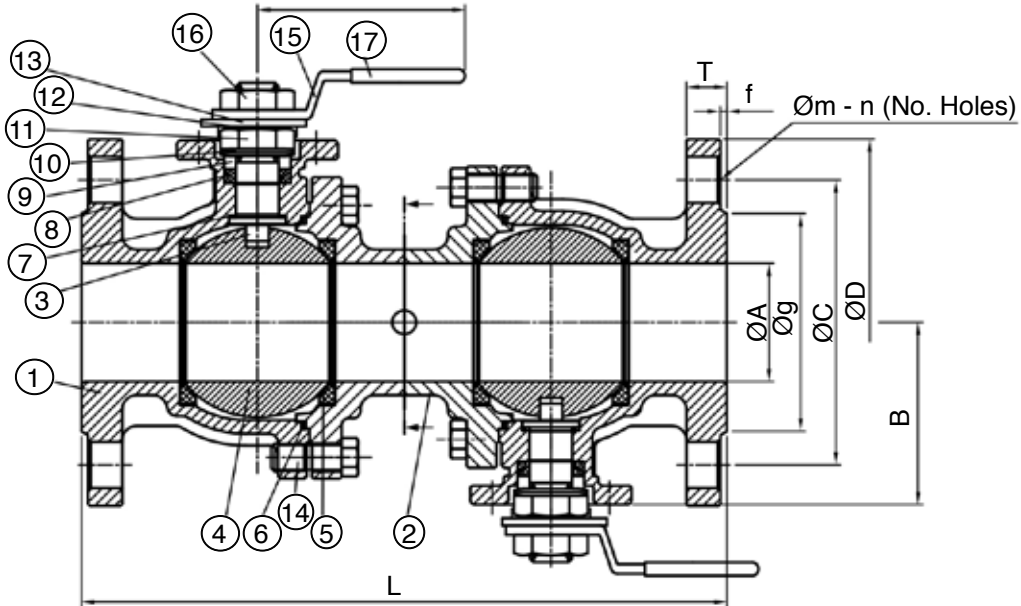
BILL OF MATERIALS



No	Part Name	Materials	No	Part Name	Materials
1	Body	CF8M / WCB	12	Nut Lock	SS304
2	Bleed	CF8M / WCB	13	Stop Plate	SS304
3	Stem	SS316	14	Bolts	SS304
4	Ball	SS316	15	Handle	SS304
5	Ball Seats	TFM	16	Handle Nut	SS304
6	Gasket	TFM	17	Handle Cover	Plastisol
7	Thrust Washer	TFM	18	Stop Pin	SS304
8	Stem Packing	TFM	19	DM4600 Ball Valve	-
9	Gland	SS304	20	Lever Head	CF8
10	Disk Washer	SS310	21	Lever	Steel Pipe
11	Stem Nut	SS304	22	Lever Head Bolts	CF8

DBDM2500 Series Ball Valves

DIMENSIONS



Size	A	B	E	M	G	J	K	L	Class 150 Flange Dimensions						
									D	C	m	n	t	g	f
1/2"	0.59	1.36	5.71	1.65	M5	0.39	0.38	6.50	3.50	2.38	0.63	4	0.44	1.38	0.06
3/4"	0.79	1.54	5.71	1.65	M5	0.39	0.38	6.89	3.86	2.76	0.63	4	0.44	1.69	0.06
1"	0.98	1.73	7.68	1.97	M6	0.55	0.38	7.32	4.25	3.13	0.63	4	0.44	2.01	0.06
1-1/4"	1.26	1.93	7.68	1.97	M6	0.55	0.38	8.19	4.61	3.50	0.63	4	0.50	2.52	0.06
1-1/2"	1.50	2.68	9.84	2.76	M8	0.71	0.38	9.45	5.00	3.88	0.63	4	0.56	2.87	0.06
2"	1.97	3.03	9.84	2.76	M8	0.71	0.38	10.24	5.98	4.74	0.75	4	0.63	3.62	0.06
2-1/2"	2.56	3.52	12.20	4.02	M10	0.79	0.47	12.17	7.01	5.49	0.75	4	0.70	4.13	0.06
3"	3.07	3.94	12.20	4.02	M10	0.79	0.47	13.98	7.48	6.00	0.75	4	0.75	5.00	0.06
4"	3.94	4.74	12.20	4.02	M10	0.94	0.59	16.14	9.02	7.50	0.75	8	0.94	6.18	0.06

DBDM2500 Series Ball Valves

HOW TO ORDER

Sizes		Series	Body ¹ , Ball & Stem		Port		Body Seal	
3	1/2"	DBDM25	00	CF8	F	Full Port	T	TFM1600
4	3/4"		0L	CF3				
5	1"		23	WCB, CF8M Ball & Stem				
0	1-1/4"		33	CF8M				
6	1-1/2"		44	Alloy 20				
7	2"		55	Monel				
8	2-1/2"		6L	CF3M				
9	3"		77	Hastelloy C				
A	4"		88	LCB				
			83	LCB, CF8M Ball & Stem				
			99	Duplex				

Packing		Seat		End Connections		Options	
T	TFM1600	T	TFM1600	F1	ANSI 150 RF Flange	LD	Locking Handle
G	Graphite					SH	Spring Handle
						GO	Gear Operator
						BS	Bare Stem
						FS	Fire Safe
						FE	Fugitive Emission
						SE	Stem Extension
						VB	Vented Ball

J Flow Controls®
 4665 Interstate Drive
 Cincinnati, OH 45246
 513-731-2900
jflowcontrols.com

While the information and specifications contained in this literature are believed to be accurate, they are supplied for informative purposes only and should not be considered certified or a guarantee of satisfactory results. Nothing contained herein is to be construed as a warranty or guarantee, express or implied, regarding any matter with respect to this product. Because J Flow Controls® is continually improving and upgrading its product design, the specifications, dimensions and information contained herein are subject to change without notice.