

# 3T/L600 Series

## Three Way Ball Valves

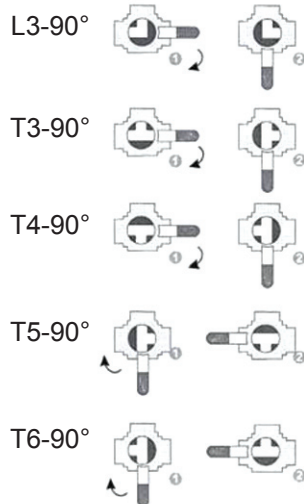
### DESIGN FEATURES

- In sizes 1/4" through 3" full port in "T" port or "L" port
- Blow out proof stem
- 100% electronically tested in open and closed position at 80 psi
- ISO 5211 mounting pad
- Packing adjustable while actuator mounted to valve

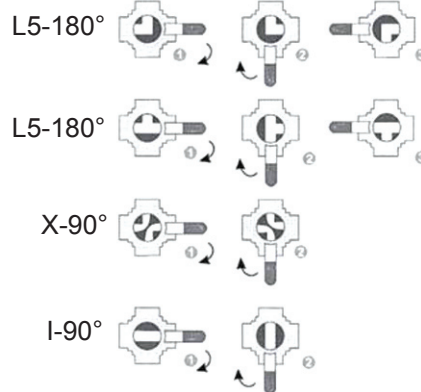


### PORT ARRANGEMENT

#### 3 Way



#### 4 Way



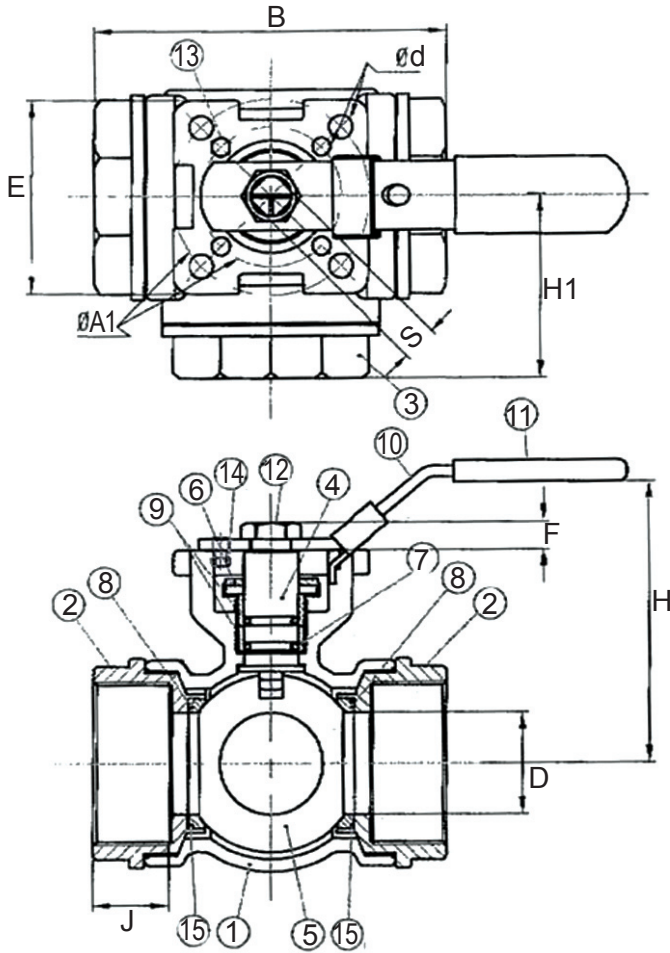
### ORDERING SCHEMATIC

Port Arr.		Port		Series	Ball & Stem		Port		Stem Packing		Seat		Ends	
3	3-Way	L	L Port	DM66	00	Brass	F	Full	T	PTFE	T	PTFE	S	NPT
		T	T Port		33	316	R	Reduced						

# J Flow Controls

J Flow Controls, LLC  
 14 De Camp • Cincinnati, OH 45216  
 Phone: 513-731-2900 • Fax 513-731-6939  
[www.jflowcontrols.com](http://www.jflowcontrols.com)

## DIMENSIONS & MATERIAL SPECIFICATIONS



Item	Parts	Materials	Qty
1	Body	Bronze C84400	1
2	Body Cap	Bronze C84400	2
3	Body Cap	Bronze C84400	1
4	Stem	Brass B16	1
5	Ball	Brass C37700	1
6	Packing Nut	Brass	1
7	Gland Packing	Teflon	1
8	Seat	Teflon	4
9	O-Ring	NBR	2
10	Handle	SS304	1
11	Handle Cover	PVC	1
12	Handle Nut	Brass	1
13	Lock Pin	Steel	1
14	Nut	Steel	1
15	O-Ring	EPDM	4

Size	B	J	S	E	F	D	H	H1	A1	d	ISO-5211
1/2"	2.91	0.71	0.35	1.89	0.33	0.59	2.64	1.36	1.42/1.65	0.24/0.26	F03/F04
3/4"	3.31	0.75	0.35	1.89	0.41	0.75	2.95	1.59	1.42/1.65	0.24/0.26	F03/F04
1"	3.88	0.87	0.43	1.89	0.41	0.94	3.35	1.94	1.65/1.97	0.24/0.26	F04/F05
1-1/4"	4.41	0.91	0.43	1.89	0.41	1.22	3.44	2.20	1.65/1.97	0.24/0.26	F04/F05
1-1/2"	4.84	0.91	0.43	2.72	0.58	1.42	4.45	2.48	1.97/2.67	0.26/0.33	F05/F07
2"	5.08	1.02	0.43	2.72	0.58	1.42	4.45	2.56	1.97/2.76	0.26/0.33	F05/F07

# J Flow Controls

J Flow Controls, LLC  
 14 De Camp • Cincinnati, OH 45216  
 Phone: 513-731-2900 • Fax 513-731-6939  
[www.jflowcontrols.com](http://www.jflowcontrols.com)