



STANDARDS

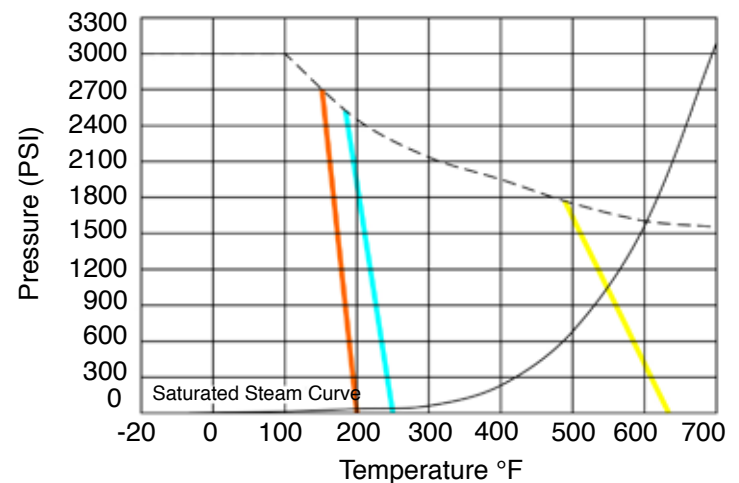
- Valve design: ASME B16.34
- Approved according to European Directive 97/23/EC
- Valve test: API 598 and MSS SP-72
- CRN # available
- Fire safe: API 607 5th Edition
- Explosion prevention: ATEX Directive 97/23/EC
- End connections: ASME B16.34

J Flow Controls FSLD3900 Series Two Piece Fire Safe Ball Valves

FEATURES & BENEFITS

- Body and end caps high quality investment cast
- Available in Stainless Steel and Carbon Steel
- Blow-out proof stem design
- Fire-safe design
- Includes fire-safe lip, graphite seals, and anti-static devices
- Temperature range: -20°F to 625°F
- End type: NPT / BSPT
- Pressure rating: 3000 psi (wog)

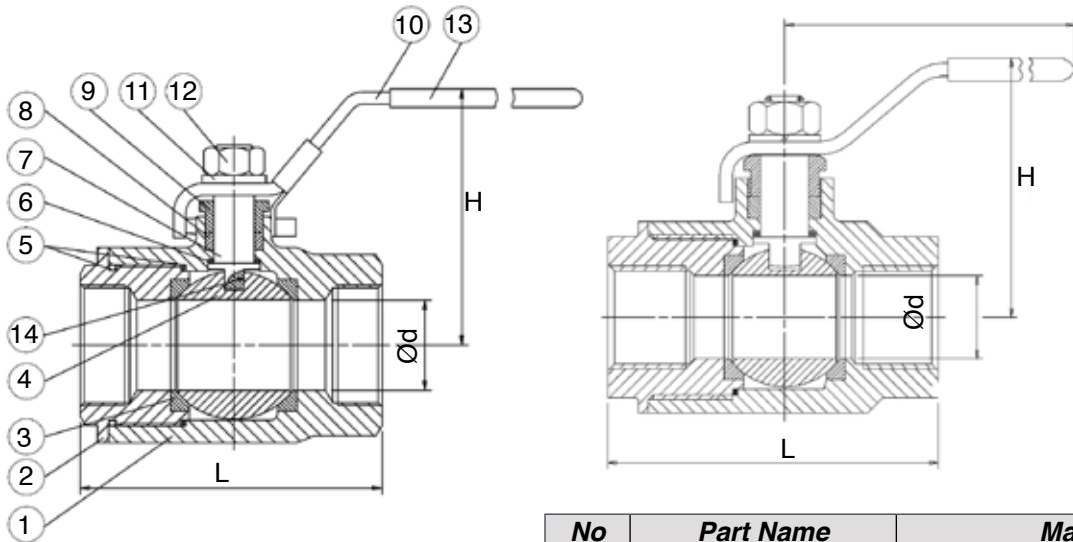
PRESSURE/TEMPERATURE CHART



- DELRIN
- DELVON
- PEEK

FSLD3900 Series Ball Valves

BILL OF MATERIALS & DIMENSIONS



Size	d	L	W	H
1/4"	0.45	3.00	5.04	2.36
3/8"	0.50	3.00	5.04	2.36
1/2"	0.50	3.11	5.04	2.36
3/4"	0.75	3.70	5.90	2.68
1"	1.00	4.02	6.61	3.15
1-1/4"	1.26	4.55	6.61	3.39
1-1/2"	1.50	4.88	10.23	4.76
2"	1.75	5.87	10.23	4.96

No	Part Name	Materials
1	Body	CF8M/WCB
2	End Cap	CF8M/WCB
3	Ball Seat	Delrin / PEEK
4	Solid Ball	CF8M / CF8
5	Body Seal	Graphite & Viton
6	Thrust Washer	Graphite & PTFE
7	Stem	SS316 / SS304
8	Stem Packing	Graphite
9	Belleville Spring	SS301
10	Handle	SS304
11	Spring Washer	SS304
12	Nut	SS304
13	Handle Sleeve	Vinyl
14	Anti-static	SS316

HOW TO ORDER

Series	Series	Body, Ball & Stem	Port	Body Seal	Packing
1	1/4"	39 WCB A216, CF8M Ball & Stem 33 316S CF8M	F Full Port	G Graphite	G Graphite
2	3/8"				
3	1/2"				
4	3/4"				
5	1"				
0	1-1/4"				
6	1-1/2"				
7	2"				
8	2-1/2"				
9	3"				

Seat	End Connections	Options
DE Delrin	FT Female NPT	LD Locking Handle
DV Devlon		SE Stem Extension
PK PEEK		VB Vented Ball