



STANDARDS

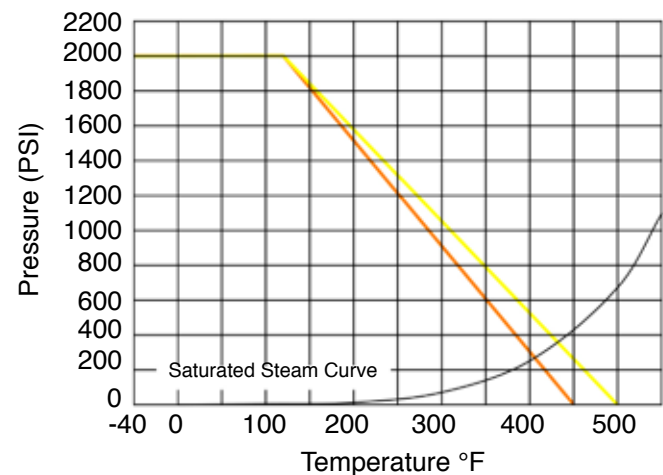
- Valve design: ASME B16.34
- Material certification: EN10204-3.1 MTR
- End connections: ASME B1.20.1
- Steel casting: MSS SP-55
- Valve marking: MSS SP-25
- Valve test: API 598
- CRN registered
- Anti-static: API 608

J Flow Controls FSLD1100 Series One Piece Fire Safe Ball Valves

FEATURES & BENEFITS

- Applications include hydraulic, chemical, steam, oil-gas and oxygen
- Body and end caps high quality investment cast
- Available in Stainless Steel and Carbon Steel
- Blow-out proof stem design
- Fire-safe design
- Screw-in retainer design provides extra body strength and lowers leaking possibility
- Temperature range: - 40°F to 500°F
- End type: NRT
- Pressure Rating:
2000 psi wog
150 psi with saturated steam
- MTR Reports available

PRESSURE/TEMPERATURE CHART

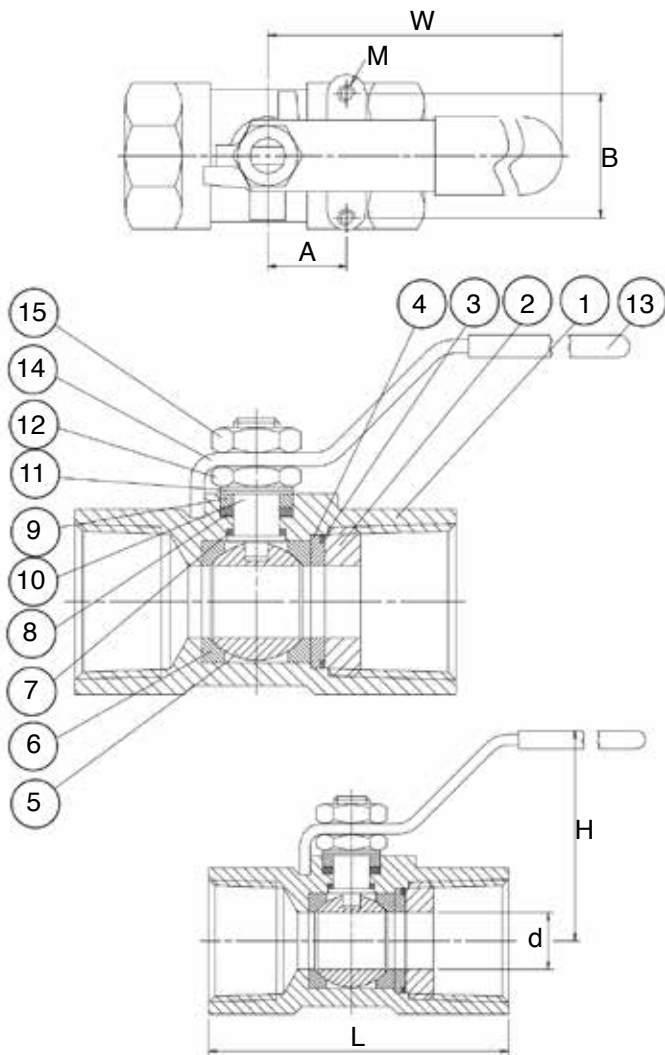


■ RPTFE

■ TFM1600

FSLD1100 Series Ball Valves

BILL OF MATERIALS & DIMENSIONS



No	Part Name	Materials
1	Body	CF8M/WCB
2	Retainer	SS316
3	Body Seal	Graphite
4	Seat Retainer	SS316
5	Solid Ball	CF8M
6	Ball Seat	RPTFE
7	Thrust Washer	PTFE / Graphite
8	Stem Packing	Graphite
9	Gland Ring	SS304
10	Stem	SS316
11	Belleville Spring	SS301
12	Nut	SS304
13	Handle Sleeve	Vinyl
14	Handle	SS304
15	Handle Nut	SS304

Size	d	L	H	W	A	B	M
1/4"	0.36	2.64	1.81	4.33	0.50	1.12	10-24UNC
3/8"	0.36	2.64	1.81	4.33	0.50	1.12	10-24UNC
1/2"	0.36	2.64	1.81	4.33	0.50	1.12	10-24UNC
3/4"	0.49	2.80	1.97	4.33	0.50	1.12	10-24UNC
1"	0.63	3.31	2.36	5.51	0.87	1.37	10-24UNC
1-1/4"	0.79	3.70	2.56	5.51	0.87	1.37	10-24UNC
1-1/2"	0.96	3.94	2.83	6.30	0.93	1.50	1/4"-24UNC
2"	1.26	4.65	3.07	6.30	0.93	1.50	1/4"-24UNC

HOW TO ORDER

Sizes	Series	Body, Ball & Stem	Port	Body Seals	Packing
1 1/4"	11	23 WCB A216, CF8M Ball & Stem	R Red. Port	G Graphite	G Graphite
2 3/8"		33 316S CF8M			
3 1/2"					
4 3/4"					
5 1"					
0 1-1/4"					
6 1-1/2"					
7 2"					

Seat	End Connections	Options
R RPTFE	FT Female NPT	LD Locking Handle
T TFM1600	MT Female Metric THD	VB Vented Ball

J Flow Controls®
 4665 Interstate Drive
 Cincinnati, OH 45246
 513-731-2900
jflowcontrols.com