

JFC Series Rack & Pinion Actuators



JFC[®]
CONTROLS

SGS|CE
MD 200842/EC



ATEX 94/9/EC

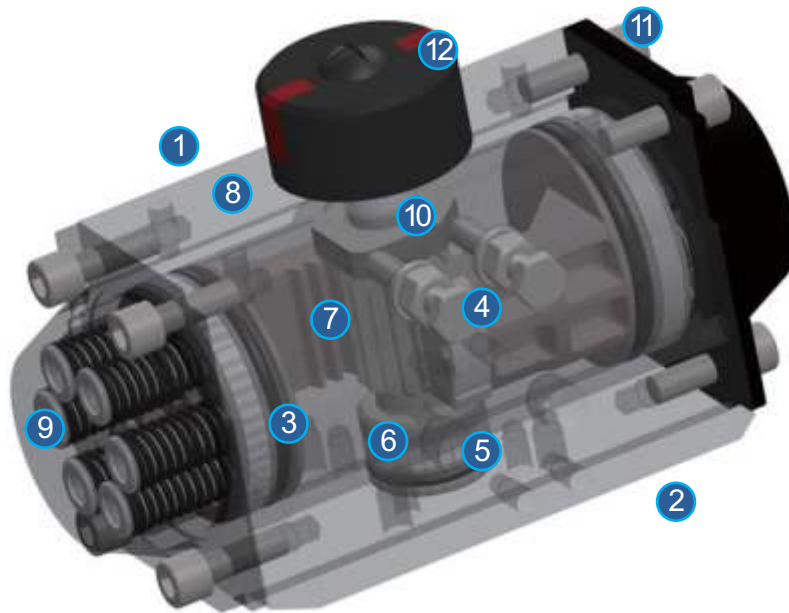
DESIGN

Jflow Controls rack and pinion actuators are designed to operate in a variety of applications. Jflow Controls realizes that the performance of the actuators is significantly important to your process control. Therefore, our pneumatic rack and pinion actuators have been designed, manufactured and tested using the latest technology, materials and innovation, providing excellent service in various environments.

- Reliability
- High performance
- Fully compliance with all the latest international standards
- Extensive products range allows best versatility at lower price
- Innovations and patented solutions for a universal drive shaft
- Multifunction position indicator
- Compact and light

CONSTRUCTION

1. A single compact design utilizing identical body and end caps for both double acting and spring return models. This feature reduces inventory and allows field conversion, by adding or removing modular spring cartridges.
2. Full conformance to following latest specifications: ISO 5211, DIN 3337 and VDI/VDE 3845 for product interchangeability and easy mounting of solenoids, limit switches and other accessories.
3. Jflow piston rack and pinion design for compact construction, symmetric mounting position, high-cycle life and fast operation. Reverse rotation can be accomplished in the field by simply inverting the pistons.
4. Two independent external travel stop adjustments permit easy and precise adjustment of +/- 5° in both directions. This adjustment may be made in either the open or closed position and provides for accurate valve alignment.
5. Multiple bearings and guides on pistons and racks for precise operation, low friction, high cycle life and a blowout proof pinion shaft.
6. Electroless nickel-plated blowout resistant, bearing guided, one-piece pinion shaft for improved safety and maximum cycle life.
7. High precision teeth on piston racks and pinion shaft for accurate positioning, low backlash, and maximum engagement resulting in overall efficient operation.
8. Extruded aluminum body with both internal and external corrosion protections with a honed cylinder surface for longer life and a lower coefficient of friction.
9. Modular preloaded spring cartridges designed with coated springs for simple range versatility, greater safety and corrosion resistance.
10. Selected high quality bearings and seals that provide a wide operating temperature range, low friction, and high cycle life.
11. Internal and external stainless steel fasteners for long term corrosion resistance.
12. Multifunctional position indicator for visual position indication, and a direct, easy, economical way to mount popular sensors.



RANGE OF OPTIONS, QUALITY MANUFACTURING, AND ACCESSORIES

RANGE OF OPTIONS

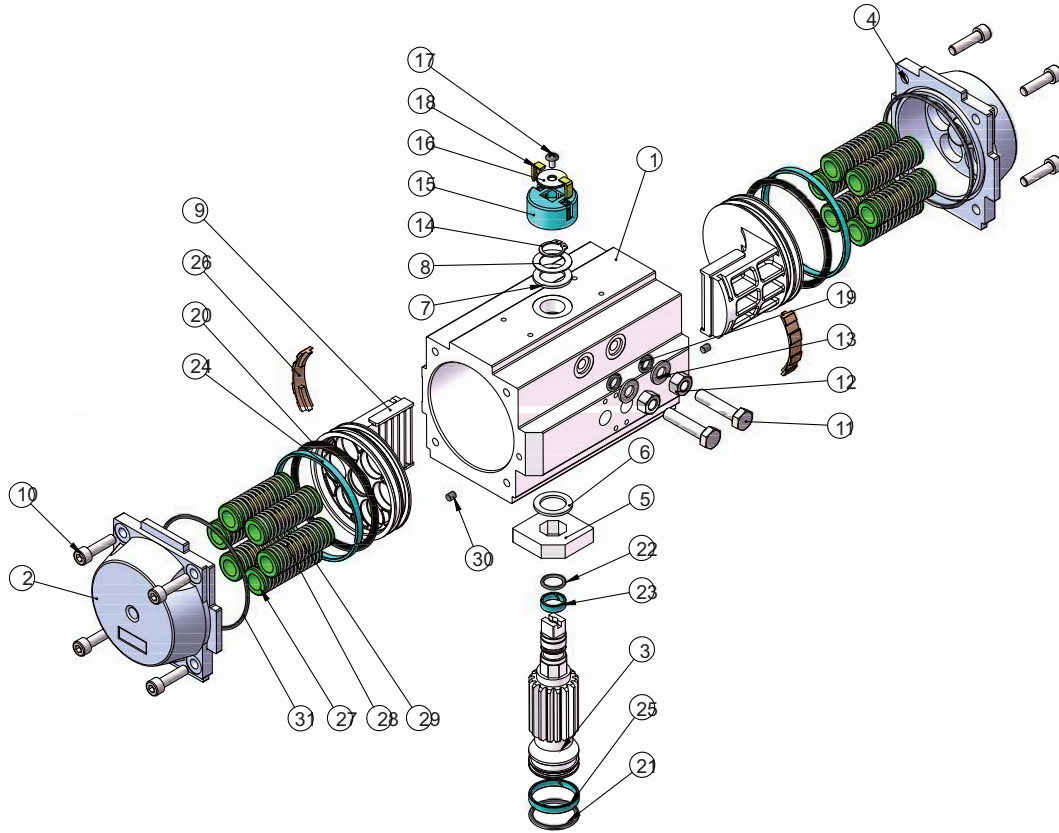
- A. Stainless steel 304 or 316 drive shafts are available on request.
- B. For extremely high or low temperature applications, all models may be equipped with Viton or Silicon O rings along with a certified suitable lubricant.
- C. Other than the standard double square bottom drive shaft connection, we can supply a keyed drive connection, a flat head connection or a special personalized drive connection.

QUALITY MANAGEMENT

- Production conforms to ISO9001.
- Each individual actuator has been factory inspected and tested and given a serial number for full traceability.
- Each individual actuator is individually packed in a special cardboard carton for protection, with a product description label for easy identification and includes installation, operation and maintenance instructions.

ACCESSORIES AVAILABLE

- Different Square reductions suitable for drive shaft
- Centering rings for all sizes
- Brackets
- Couplings
- Solenoid valves
- Switch boxes
- Proximity switches
- Gear boxes
- Positioners



Item Number	Part Description	Material	QTY	Item Number	Part Description	Material	QTY	Item Number	Part Description	Material	QTY
1	Body	Aluminium alloy	1	12	Nut(stop screw)	Stainless steel	2	23 ▲	Bearing(pinion top)	POM+PTFE	1
2	Left End cap	Aluminium alloy	1	13	Washer (stop screw)	Stainless steel	2	24 ▲	Bearing(pinion head)	POM+PTFE	2
3	Drive shaft	Alloy Steel	1	14	Spring clip	Spring steel	1	25 ▲	Bearing(pinion bottom)	POM+PTFE	1
4	Right end cap	Aluminium alloy	1	15	Position indicator	Nylon	1	26 ▲	Wear band	Nylon	2
5	OCTI-CAM	Alloy Steel	1	16	Indicator thrust bearing	Stainless steel	1	27	Spring seat	Nylon	24
6 ▲	Thrust bearing (pinion top)	POM+PTFE	1	17	Cap screw	Stainless steel	1	28	Spring	High-carbon steel	12
7 ▲	Thrust bearing	POM+PTFE	1	18	Color code	Nylon	2	29	Straining beam	Copper pipe	12
8	Thrust washer	Stainless steel	1	19 ▲	"o" ring(stop screw)	NBR	2	30	Plug	NBR	2
9	Piston	Aluminium alloy	2	20 ▲	"o" ring(piston)	NBR	2	31 ▲	"o" ring(end cap)	NBR	2
10	Cap screw (end cap)	Stainless steel	8	21 ▲	"o" ring(pinion bottom)	NBR	1				
11	Stop top screw	Stainless steel	2	22 ▲	"o" ring(pinion top)	NBR	1				

▲ Parts included in a repair kit

TECHNICAL DATA

Model	032		050		065		075		085		095		110		125		140		160		190		210		240		270		300		350		400	
	D	S	D	S	D	S	D	S	D	S	D	S	D	S	D	S	D	S	D	S	D	S	D	S	D	S	D	S	D	S	D	S		
Diameter (mm)	32	50	65	75	85	95	110	125	140	160	190	210	240	270	300	350	400																	
Air Volume Opening(In ³)	1.8	5.5	12	18	27	54	57	86	107	174	290	403	696	964	1165	1687	2612																	
Air Volume Closing(In ³)	2.5	9.2	20	31	40	72	78	130	166	249	439	628	921	1147	1723	2691	3176																	
Opening Time (sec)	0.3	0.3	0.9	0.4	0.9	0.4	0.9	0.9	1.0	0.9	1.4	0.9	1.4	1.3	2.4	1.3	2.8	2.0	4.8	2.2	2.4	2.9	3.4	3.2	3.8	4.4	5.0	5.0	6.0	6.2	7.4	7.5	9.6	
Closing Time (sec)	0.4	0.4	0.7	0.4	0.8	0.4	0.9	0.9	1.2	1.0	1.4	1.0	1.6	1.4	2.4	1.4	3.0	2.4	4.9	2.6	3.0	3.8	4.1	3.7	4.0	4.9	5.5	6.0	6.8	7.2	8.4	8.5	10.6	
Weight (Lbs)	1.0	1.3	2.5	2.8	4.3	4.9	6.5	7.3	8.3	9.4	11.3	13	13.4	15.8	24	28	30	35	45	52	63	75	88	107	116	172	162	200	238	299	324	415	486	625

1.For model 32-160

(1)Room temperature (2)Actuator stroke 90° (3)Solenoid valve with a flow capacity of 14 SCFM (4)Inside pipe diameter 1/4 inch (5)Medium clean air (6)Air supply pressure 80 PSI (7)Actuator without external resistance load

2.For model 190-400

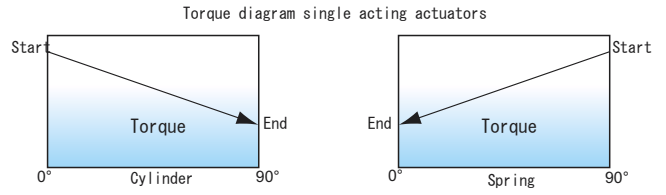
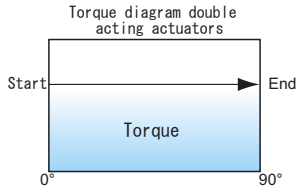
(1)Room temperature (2)Actuator stroke 90° (3)Solenoid valve with a flow capacity of 180 SCFM (4)Inside pipe diameter 15/16 inch (5)Medium clean air (6)Air supply pressure 80 PSI (7)Actuator without external resistance load

Cycle times will vary when one or more of the above parameter are different.

Air consumption is calculated with air supply pressure, air volume and cycle times. Expressions:

$$SCFM = \text{Air volume}(\text{opening air volume} + \text{closing air volume}) \times \left[\frac{\text{Air Supply}(\text{PSI}) + 14.7}{14.7} \right] \times \text{Cycle times}(\text{min})$$

DOUBLE ACTING TORQUE RATINGS



DOUBLE ACTING TORQUE RATING IN-LBS								
MODEL	SUPPLY PRESSURE PSIG							
	40	50	60	70	80	90	100	115
JFC032D	29	36	43	50	58	65	72	83
JFC050D	88	110	132	154	176	198	220	253
JFC065D	178	223	267	312	356	401	445	512
JFC075D	277	346	415	484	553	622	691	795
JFC085D	406	507	609	710	812	913	1014	1167
JFC095D	570	713	856	998	1141	1284	1426	1640
JFC110D	744	930	1116	1302	1488	1674	1860	2139
JFC125D	1329	1661	1994	2326	2658	2991	3323	3821
JFC140D	1962	2453	2943	3434	3924	4415	4906	5641
JFC160D	2722	3402	4083	4763	5444	6124	6804	7825
JFC190D	4282	5353	6423	7494	8564	9635	10706	12311
JFC210D	5978	7473	8967	10462	11956	13451	14945	17187
JFC240D	9274	11592	13911	16229	18548	20866	23185	26662
JFC270D	13038	16298	19558	22817	26077	29336	32596	37486
JFC300D	16776	20970	25164	29358	33552	37746	41940	48231
JFC350D	24897	31121	37345	43570	49794	56018	62242	71579
JFC400D	37938	47422	56907	66391	75876	85360	94845	109072



SPRING RETURN TORQUE RATINGS

SINGLE ACTING SPRING RETURN TORQUE RATINGS IN-LBS																		
MODEL	SUPPLY PRESSURE PSIG																SPRING	
	40		50		60		70		80		90		100		115		START	END
	START	END	START	END	START	END	START	END	START	END	START	END	START	END	START	END	START	END
JFC050S-05	57	42	79	64	101	86	123	108	145	130	167	152	189	174	222	207	46	31
JFC050S-06	51	33	73	55	95	77	117	99	139	121	161	143	183	165	216	198	55	37
JFC050S-07	45	24	67	46	88	68	110	90	132	112	154	134	176	156	209	189	64	43
JFC050S-08			60	37	82	59	104	81	126	103	148	125	170	147	203	180	73	50
JFC050S-09					76	50	98	72	120	93	142	115	164	137	197	170	82	56
JFC050S-10							92	63	114	85	136	107	158	129	191	162	91	62
JFC050S-11									108	76	130	98	152	120	185	153	100	68
JFC050S-12									101	66	123	88	145	110	178	143	110	74
JFC065S-05	101	62	146	107	190	151	235	196	279	240	324	285	368	329	435	396	116	77
JFC065S-06	86	39	130	84	175	128	219	173	264	217	308	262	353	306	420	373	139	92
JFC065S-07			115	61	159	105	204	150	248	194	293	239	337	283	404	350	162	108
JFC065S-08					144	81	189	126	233	170	278	215	322	259	389	326	186	123
JFC065S-09							173	103	217	147	262	192	306	236	373	303	209	139
JFC065S-10							158	80	202	124	247	169	291	213	358	280	232	154
JFC065S-11									187	101	231	146	276	190	343	257	255	169
JFC065S-12									171	78	216	123	260	167	327	234	278	185
JFC075S-05	182	127	251	196	320	265	389	334	458	404	528	473	597	542	700	646	150	95
JFC075S-06	163	98	232	167	302	236	371	305	440	374	509	443	578	513	682	616	179	113
JFC075S-07			213	137	282	206	351	275	420	344	490	413	559	483	662	586	209	133
JFC075S-08			194	107	264	176	333	245	402	314	471	383	540	452	644	556	239	151
JFC075S-09					244	147	313	216	382	285	451	354	521	423	624	527	268	171
JFC075S-10							295	186	364	255	433	324	502	393	606	497	298	189
JFC075S-11									345	225	414	294	483	363	587	467	328	208
JFC075S-12									326	196	395	265	464	334	568	438	358	227
JFC085S-05	259	175	360	276	462	378	563	479	665	581	766	682	867	783	1020	936	231	147
JFC085S-06	230	129	331	230	433	332	534	433	635	534	737	636	838	737	990	890	277	176
JFC085S-07			302	184	403	286	505	387	606	488	708	590	809	691	961	843	323	205
JFC085S-08			273	138	374	240	476	341	577	442	678	544	780	645	932	797	369	235
JFC085S-09					345	194	446	295	548	396	649	498	751	599	903	751	415	264
JFC085S-10							417	249	519	350	620	452	721	553	874	705	461	293
JFC085S-11									489	304	591	406	692	507	844	659	507	322
JFC085S-12									460	258	562	360	663	461	815	613	553	351
JFC095S-05	375	262	517	404	660	547	803	689	945	832	1088	975	1231	1117	1444	1331	309	196
JFC095S-06	336	200	479	343	621	486	764	628	906	771	1049	914	1192	1056	1406	1270	370	235
JFC095S-07			440	281	582	424	725	566	867	709	1010	852	1153	994	1367	1208	432	273
JFC095S-08					542	362	685	504	828	647	970	790	1113	932	1327	1146	494	313
JFC095S-09					503	301	646	443	789	586	931	729	1074	871	1288	1085	555	352
JFC095S-10							607	381	750	524	892	667	1035	809	1249	1023	617	391
JFC095S-11									711	462	853	605	996	747	1210	961	679	430
JFC095S-12									672	401	814	544	957	686	1171	900	740	469
JFC110S-05	491	338	677	524	863	710	1049	896	1235	1082	1421	1268	1607	1454	1886	1733	406	253
JFC110S-06	440	257	626	443	812	629	998	815	1184	1001	1370	1187	1557	1373	1836	1652	487	304
JFC110S-07			576	362	762	548	948	734	1134	920	1320	1106	1506	1292	1785	1571	568	354
JFC110S-08			525	280	711	466	897	652	1083	838	1269	1024	1455	1210	1734	1489	650	405
JFC110S-09					660	386	846	572	1032	758	1218	944	1404	1130	1683	1409	730	456
JFC110S-10							796	490	982	676	1168	862	1354	1048	1633	1327	812	506
JFC110S-11							745	409	931	595	1117	781	1303	967	1582	1246	893	557
JFC110S-12									881	514	1067	700	1253	886	1532	1166	974	607
JFC125S-05	878	616	1210	948	1542	1280	1875	1613	2207	1945	2539	2277	2871	2609	3370	3108	713	451
JFC125S-06	787	473	1120	806	1452	1138	1784	1470	2117	1802	2449	2135	2781	2467	3280	2965	856	542
JFC125S-07			1029	663	1362	995	1694	1328	2026	1660	2359	1992	2691	2324	3189	2823	998	632
JFC125S-08			939	521	1271	853	1604	1185	1936	1517	2268	1850	2601	2182	3099	2680	1141	722
JFC125S-09					1181	710	1513	1043	1846	1375	2178	1707	2510	2039	3009	2538	1283	813
JFC125S-10							1423	900	1755	1232	2088	1565	2420	1897	2918	2395	1426	903
JFC125S-11							1333	758	1665	1090	1998	1422	2330	1754	2828	2253	1568	993
JFC125S-12									1575	947	1907	1280	2240	1612	2738	2110	1711	1083
JFC140S-05	1234	879	1724	1369	2215	1860	2705	2350	3196	2841	3687	3332	4177	3822	4913	4558	1083	728
JFC140S-06	1089	663	1579	1153	2070	1644	2560	2135	3051	2625	3541	3116	4032	3606	4768	4342	1299	874
JFC140S-07			1433	937	1924	1427	2414	1918	2905	2408	3395	2899	3886	3389	4622	4125	1516	1020
JFC140S-08			1288	720	1779	1210	2269	1701	2760	2191	3250	2682	3741	3172	4477	3908	1733	1165
JFC140S-09					1632	994	2123	1485	2614	1975	3104	2466	3595	2957	4331	3692	1949	1311



SPRING RETURN TORQUE RATINGS

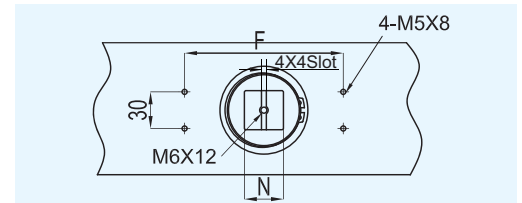
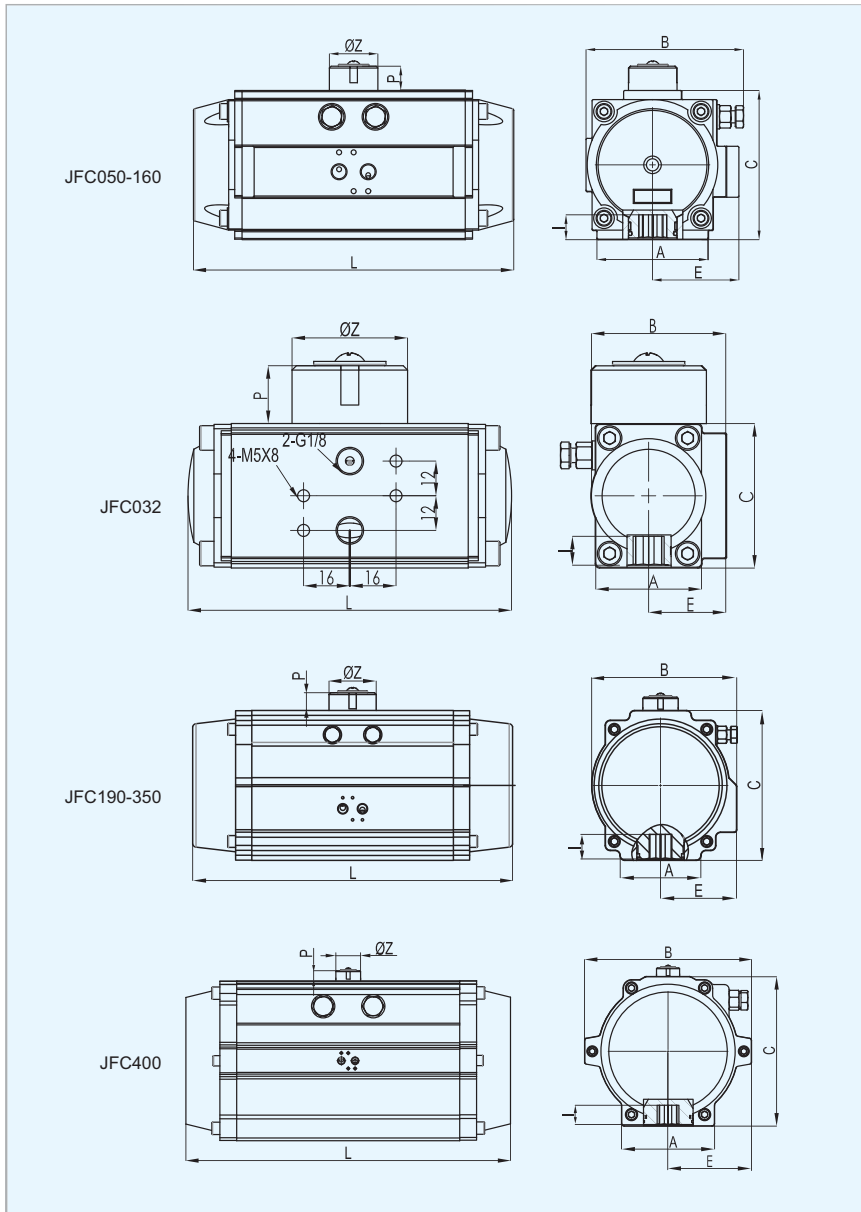
SINGLE ACTING SPRING RETURN TORQUE RATINGS IN-LBS																				
MODEL	SUPPLY PRESSURE PSIG																		SPRING	
	40		50		60		70		80		90		100		115		START	END		
	START	END	START	END	START	END	START	END	START	END	START	END	START	END	START	END	START	END		
JFC160S-05	1748	1285	2429	1966	3109	2646	3790	3327	4470	4007	5150	4687	5831	5368	6852	6389	1437	974		
JFC160S-06	1553	998	2234	1679	2914	2359	3595	3040	4275	3720	4956	4401	5636	5081	6657	6102	1723	1168		
JFC160S-07			2039	1391	2720	2072	3400	2752	4081	3433	4761	4113	5441	4794	6462	5814	2011	1363		
JFC160S-08			1844	1105	2525	1785	3205	2465	3886	3146	4566	3826	5247	4507	6267	5527	2298	1558		
JFC160S-09					2330	1497	3011	2178	3691	2858	4372	3539	5052	4219	6073	5240	2585	1752		
JFC160S-10							2816	1891	3496	2571	4177	3252	4857	3932	5878	4953	2872	1947		
JFC160S-11									3302	2284	3982	2964	4663	3645	5683	4665	3160	2142		
JFC160S-12									3107	1997	3787	2677	4468	3358	5488	4379	3447	2337		
JFC190S-05	2673	1970	3744	3041	4814	4111	5885	5182	6955	6253	8026	7323	9096	8394	10702	9999	2312	1609		
JFC190S-06	2352	1508	3422	2579	4493	3649	5563	4720	6634	5791	7705	6861	8775	7932	10381	9537	2774	1930		
JFC190S-07			3100	2117	4171	3187	5241	4258	6312	5329	7382	6399	8453	7470	10059	9075	3236	2253		
JFC190S-08			2779	1655	3849	2725	4920	3796	5991	4866	7061	5937	8132	7008	9738	8613	3698	2574		
JFC190S-09					3527	2262	4598	3333	5668	4404	6739	5474	7810	6545	9415	8151	4161	2896		
JFC190S-10							4277	2871	5347	3942	6418	5012	7488	6083	9094	7689	4623	3217		
JFC190S-11									5025	3480	6095	4550	7166	5621	8772	7226	5085	3540		
JFC190S-12									4698	2999	5769	4069	6839	5140	8445	6746	5566	3866		
JFC210S-05	3806	2800	5301	4294	6795	5789	8290	7283	9784	8778	11279	10272	12773	11767	15015	14009	3178	2172		
JFC210S-06	3371	2164	4866	3659	6360	5153	7855	6648	9349	8142	10844	9637	12339	11131	14580	13373	3814	2607		
JFC210S-07			4431	3023	5926	4518	7420	6012	8915	7507	10409	9001	11904	10496	14146	12738	4449	3041		
JFC210S-08			3998	2387	5492	3881	6987	5376	8481	6870	9976	8365	11470	9859	13712	12101	5086	3475		
JFC210S-09					5058	3246	6552	4740	8047	6235	9541	7729	11036	9224	13277	11466	5721	3909		
JFC210S-10							6118	4105	7612	5599	9107	7094	10601	8588	12843	10830	6357	4344		
JFC210S-11									7177	4964	8672	6458	10166	7953	12408	10195	6992	4779		
JFC210S-12									6743	4328	8237	5823	9732	7317	11974	9559	7628	5213		
JFC240S-05	5641	4370	7959	6689	10277	9007	12596	11326	14914	13644	17233	15963	19551	18281	23029	21759	4903	3633		
JFC240S-06	4914	3390	7232	5708	9551	8027	11869	10345	14188	12664	16506	14982	18825	17300	22302	20778	5884	4360		
JFC240S-07			6506	4727	8824	7046	11143	9364	13461	11683	15779	14001	18098	16320	21576	19797	6865	5087		
JFC240S-08			5779	3747	8097	6065	10416	8384	12734	10702	15053	13021	17371	15339	20849	18817	7846	5813		
JFC240S-09					7371	5085	9689	7403	12008	9721	14326	12040	16645	14358	20122	17836	8826	6540		
JFC240S-10							8963	6422	11281	8741	13599	11059	15918	13378	19396	16855	9807	7267		
JFC240S-11									10554	7760	12873	10079	15191	12397	18669	15875	10788	7993		
JFC240S-12									9828	6779	12146	9098	14465	11416	17942	14894	11768	8720		
JFC270S-05	8086	6082	11346	9341	14606	12601	17865	15860	21125	19120	24384	22380	27644	25639	32533	30529	6957	4952		
JFC270S-06	7096	4690	10355	7950	13615	11209	16875	14469	20134	17729	23394	20988	26654	24248	31543	29137	8348	5943		
JFC270S-07			9365	6558	12625	9818	15884	13078	19144	16337	22403	19597	25663	22856	30553	27746	9740	6933		
JFC270S-08			8375	5167	11634	8427	14894	11686	18153	14946	21413	18205	24673	21465	29562	26354	11131	7923		
JFC270S-09					10644	7035	13903	10295	17163	13554	20423	16814	23682	20074	28572	24963	12522	8914		
JFC270S-10							12913	8903	16173	12163	19432	15423	22692	18682	27581	23572	13914	9904		
JFC270S-11									15182	10772	18442	14031	21701	17291	26591	22180	15305	10895		
JFC270S-12									14192	9380	17451	12640	20711	15900	25600	20789	16697	11885		
JFC300S-05	10659	7643	14853	11837	19047	16031	23241	20225	27435	24419	31629	28613	35823	32807	42114	39098	9133	6117		
JFC300S-06	9436	5816	13630	10010	17824	14204	22018	18398	26212	22592	30406	26786	34600	30980	40891	37271	10960	7340		
JFC300S-07			12407	8183	16601	12377	20795	16571	24989	20765	29183	24959	33377	29153	39668	35444	12787	8563		
JFC300S-08			11182	6357	15376	10551	19570	14745	23764	18939	27958	23133	32152	27327	38443	33618	14613	9787		
JFC300S-09					14153	8724	18347	12918	22541	17112	26735	21306	30929	25500	37220	31791	16440	11011		
JFC300S-10							17124	11091	21318	15285	25512	19479	29706	23673	35997	29964	18267	12234		
JFC300S-11									20095	13458	24289	17652	28483	21846	34774	28137	20094	13457		
JFC300S-12									18872	11632	23066	15825	27260	20019	33551	26310	21920	14680		
JFC350S-05	16096	11837	22321	18061	28545	24286	34769	30510	40993	36734	47217	42958	53442	49183	62778	58519	13060	8801		
JFC350S-06	14336	9226	20560	15450	26784	21675	33009	27899	39233	34123	45457	40347	51681	46572	61018	55908	15671	10561		
JFC350S-07			18801	12838	25025	19063	31249	25287	37473	31511	43697	37735	49922	43960	59258	53296	18283	12321		
JFC350S-08			17040	10227	23264	16451	29489	22675	35713	28899	41937	35123	48161	41348	57498	50684	20895	14081		
JFC350S-09					21505	13839	27729	20063	33953	26287	40177	32512	46402	38736	55738	48072	23506	15841		
JFC350S-10							25968	17451	32193	23675	38417	29900	44641	36124	53977	45460	26118	17601		
JFC350S-11									30432	21063	36656	27288	42881	33512	52217	42848	28730	19362		
JFC350S-12									28673	18452	34897	24676	41121	30900	50457	40236	31342	21121		
JFC400S-05	23989	17572	33473	27056	42958	36541	52442	46025	61927	55510	71411	64994	80896	74479	95123	88706	20366	13949		
JFC400S-06	21201	13500	30685	22985	40170	32469	49654	41954	59139	51438	68623	60923	78108	70407	92334	84634	24438	16737		
JFC400S-07			27897	18913	37382	28398	46866	37882	56351	47367	65835	56851	75320	66336	89546	80563	28509	19525		
JFC400S-08			25100	14833	34585	24318	44069	33802	53554	43287	63038	52771	72523	62256	86750	76482	32589	22322		
JFC400S-09					31797	20246	41281	29731	50766	39215	60250	48700	69735	58184	83961	72411	36661	25110		

INSTALLATION

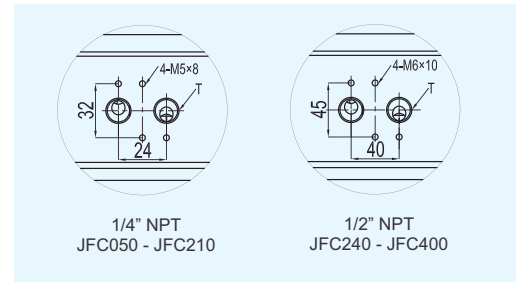
FRONT VIEW

SIDE VIEW

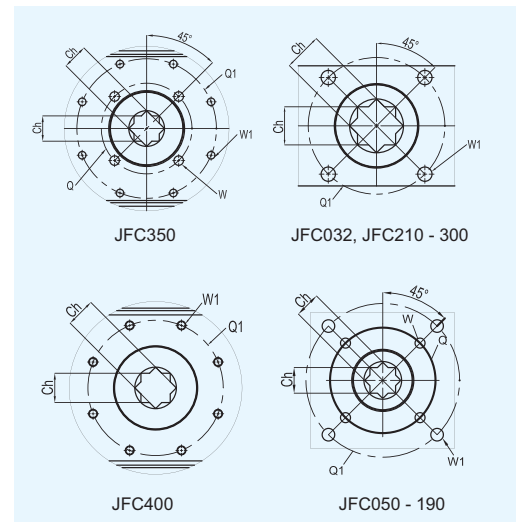
TOP



AIR CONNECTION



BOTTOM



MODEL	ISO	A	B	C	L	E	F	P	Z	N	I	Q	Q1	W	W1	Ch	T
JFC032	F03	1.46	1.85	1.97	4.33	1.06	1.97	0.79	1.57	0.39	0.39	-	1.42	-	#10-24UNC X 0.35	0.354	1/8NPT
JFC050	F03/F05	1.77	2.78	2.76	6.06	1.63	3.15	0.79	1.57	0.39	0.47	1.42	1.97	#10-24UNC X 0.29	1/4-20UNC X 0.35	0.433	1/4NPT
JFC065	F05/F07	2.44	3.52	3.50	7.44	2.03	3.15	0.79	1.57	0.39	0.63	1.97	2.76	1/4-20UNC X 0.35	5/16-18UNC X 0.47	0.551	1/4NPT
JFC075	F05/F07	2.68	4.04	3.94	8.27	2.32	3.15	0.79	1.57	0.55	0.63	1.97	2.76	1/4-20UNC X 0.35	5/16-18UNC X 0.47	0.551	1/4NPT
JFC085	F05/F07	2.68	4.43	4.45	9.02	2.50	3.15	0.79	1.57	0.55	0.75	1.97	2.76	1/4-20UNC X 0.35	5/16-18UNC X 0.47	0.669	1/4NPT
JFC095	F05/F07	3.62	4.96	4.84	10.39	2.80	3.15	0.79	1.57	0.55	0.75	1.97	2.76	1/4-20UNC X 0.35	5/16-18UNC X 0.47	0.669	1/4NPT
JFC110	F07/F10	3.66	5.45	5.35	10.47	3.01	3.15	0.79	1.57	0.55	0.75	2.76	4.02	5/16-18UNC X 0.47	3/8-16UNC X 0.59	0.669	1/4NPT
JFC125	F07/F10	3.78	6.18	6.34	13.27	3.35	3.15	1.18	2.20	0.87	0.98	2.76	4.02	5/16-18UNC X 0.47	3/8-16UNC X 0.59	0.866	1/4NPT
JFC140	F10/F12	4.33	7.01	7.01	14.84	3.82	3.15	1.18	2.20	0.87	1.22	4.02	4.92	3/8-16UNC X 0.59	1/2-13UNC X 0.71	1.063	1/4NPT
JFC160	F10/F12	4.41	7.72	7.87	16.22	4.17	5.12	1.18	2.20	0.87	1.22	4.02	4.92	3/8-16UNC X 0.59	1/2-13UNC X 0.71	1.063	1/4NPT
JFC190	F10/F14	5.35	8.52	9.13	19.21	4.41	5.12	1.18	2.20	0.87	1.61	4.02	5.51	3/8-16UNC X 0.59	5/8-11UNC X 0.94	1.417	1/4NPT
JFC210	F14	5.51	9.27	10.04	21.65	4.72	5.12	1.18	3.15	1.26	1.57	-	5.51	-	5/8-11UNC X 0.94	1.417	1/4NPT
JFC240	F16	6.26	10.31	11.50	23.70	5.16	5.12	1.18	3.15	1.26	1.97	-	6.50	-	3/4-10UNC X 1.10	1.811	1/2NPT
JFC270	F16	6.26	11.61	13.03	26.46	5.81	5.12	1.18	3.15	1.26	1.97	-	6.50	-	3/4-10UNC X 1.10	1.811	1/2NPT
JFC300	F16	7.09	13.19	13.94	30.87	6.81	5.12	1.18	3.15	1.26	1.97	-	6.50	-	3/4-10UNC X 1.10	1.811	1/2NPT
JFC350	F16/F25	10.63	15.16	16.14	33.27	7.68	5.12	1.18	3.15	1.26	1.97	6.50	10.00	3/4-10UNC X 1.10	5/8-11UNC X 1.19	1.811	1/2NPT
JFC400	F25	11.42	20.47	18.35	37.64	10.24	5.12	1.18	3.15	1.26	2.36	-	10.00	-	5/8-11UNC X 1.19	2.165	1/2NPT

MODEL SELECTION



MODEL	TYPE	SPRING QTY	ISO	SQUARE	OPTIONS	TEMPERATURE				
JFC032	D=DOUBLE ACTING	4	F03	9×9	CAP COLOR ■ 3020 RAL	STANDARD NITRILE RUBBER 5 F - +175 F -15 C - +80 C				
JFC050			SPRING RETURN MODELS ONLY	F03/05			11×11			
JFC065			F05/07	14×14						
JFC075			F05/07	14×14						
JFC085			F05/07	17×17						
JFC095			F05/07	17×17						
JFC110			F07/10	17×17						
JFC125			F07/10	22×22						
JFC140			F10/12	27×27						
JFC160			S=SPRING RETURN	9			F10/12	27×27	TYPE OF BODY Standard Smooth Surface + Hard Anodized	HT Fluorocarbon (HIGH TEMPERATURE) 5 F - +300 F -15 C - +150 C
JFC190			10	F10/14			36×36	Optional Coating Sandblasted Surface + Hard Anodized + PTFE Coated	LT Silicone (LOW TEMPERATURE) -40 F - +175 F -40 C - +80 C	
JFC210			11	F14			36×36			
JFC240	11	F16	46×46							
JFC270	12	F16	46×46							
JFC300	F16	46×46								
JFC350	F16/25	46×46								
JFC400	F25	55×55								

Additional Jflow Controls Products



4665 Interstate Drive - Cincinnati OH 45246
 TOLL FREE PHONE: 866.95J.FLOW
 Phone: 513.731.2900 - Fax: 513.731.6939

The details of this catalog are subject to change without prior notification.