



Smart Valve Positioner 7000 Series

- Quick and easy auto calibration
- Large flow pilot valve (Over than 100LPM)
- HART communication (HART 7)
- Partial stroke test (PST) function
- Alarm & Self diagnostic function

Smart Valve Positioner

7000 Series (Flame proof type)

Description

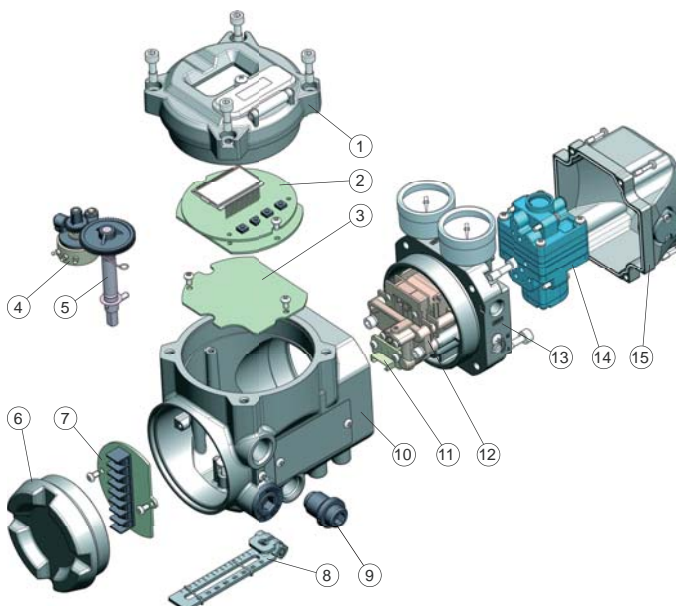
7000 Smart Valve Positioner controls the valve stroke in response to an input signal of 4-20mA from the control panel, DCS, or calibrator.



Features

- + Quick and easy auto calibration
- + Large flow pilot valve (Over than 100LPM)
- + By-pass valve (A/M switch) installed
- + HART communication (HART 7)
- + Limit switch (Mechanical or Proximity type)
- + Partial stroke test (PST) function
- + Alarm function
- + Self diagnostic

Structure



1. Body cover
2. Main PCB
3. PCB Bracket
4. Potentiometer
5. Main shaft
6. Junction box cover
7. Terminal block
8. Feedback lever
9. Body vent cover
10. Base body
11. Pressure sensor(Optional)
12. Torque motor
13. Air connection block
14. Pilot valve
15. Pilot valve cover

Smart Valve Positioner

7000 Series (Flame proof type)

Specifications

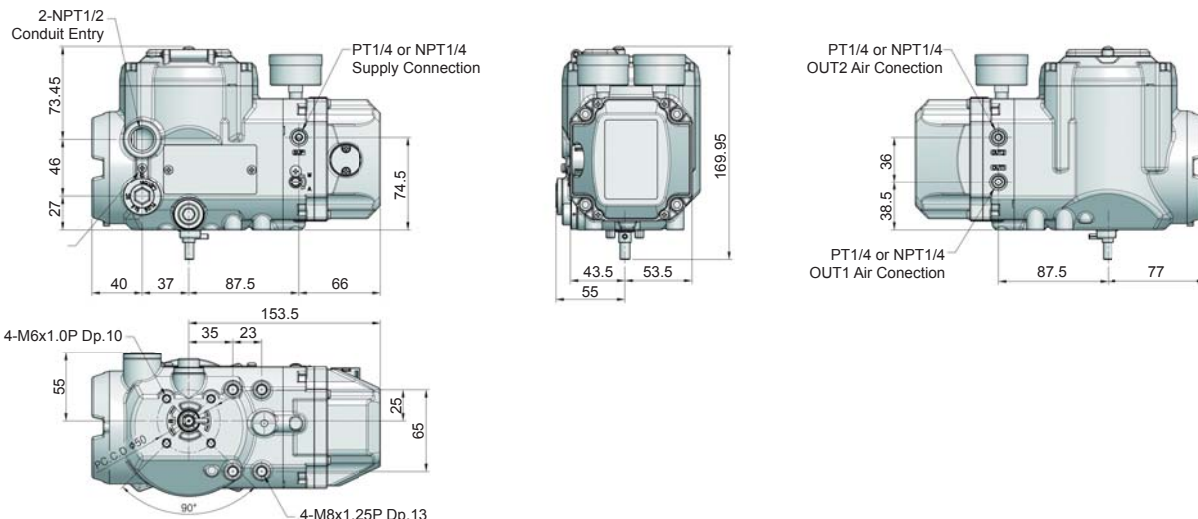
| Model | 7000L | 7000R |
|-----------------------|---|---------------------------------|
| Input signal | 4~20mA DC | |
| Impedance | 500Ω at 20mA DC | |
| Supply pressure | 0.14~0.7MPa | |
| Stroke | 10~150mm | 0~90° |
| Air connection | PT1/4, NPT1/4 | |
| Gauge connection | PT1/8, NPT1/8 | |
| Conduit | G(PF)1/2, NPT1/2 | |
| Explosion proof type | Ex db IIC T5/T6 II 2D Ex tb IIIC T85°C/T100 °C | |
| Enclosure | IP66 | |
| Ambient Temp. | Standard type | -30°C~80°C |
| | Low temp type | -40°C~80°C |
| | Explosion proof | -40°C~80°C(T5) / -40°C~70°C(T6) |
| | LCD operating | -30°C~85°C |
| Linearity | ±0.5% F.S. | |
| Sensitivity | ±0.2% F.S. | |
| Hysteresis | ±0.5% F.S. | |
| Repeatability | ±0.3% F.S. | |
| Air consumption | Below 2.3LPM (Sup=0.14MPa) | |
| Required air quality | Class 3 (ISO 8573-1) | |
| Flow capacity | Over 100LPM (Sup=0.14MPa) | |
| Material | Aluminum die cast | |
| Weight | 3.5kg | |
| HART version* | HART 7 | |
| Position transmitter* | Connection type | 2 Wire |
| | Supply voltage | 9~30V DC |
| Alarm switch* | 9~30V DC | |

* Options

Product number

| Model | 7000 | C | | | | | |
|----------------------|---------------------------------------|----------------|---|--|--|---|---|
| Acting type | Linear type | L | | | | | |
| | Rotary type | R | | | | | |
| Explosion proof type | Ex db IIC T5/T6 | C | | | | | |
| Connection | Conduit entry | Air connection | | | | | |
| | G1/2 | PT1/4 | 1 | | | | |
| | G1/2 | NPT1/4 | 2 | | | | |
| | NPT1/2 | NPT1/4 | 3 | | | | |
| | M20 | NPT1/4 | 4 | | | | |
| Lever (Linear type) | 10 ~ 80mm | | | | | 1 | |
| | 70 ~ 150mm | | | | | 2 | |
| | Adapter type(70mm) | | | | | 3 | |
| Lever (Rotary type) | M6 x 34L | | | | | 1 | |
| | NAMUR | | | | | 5 | |
| Ambient Temp. | -30°C~85°C | | | | | | S |
| | -40°C~85°C | | | | | | L |
| Communication | None | | | | | | 0 |
| | 4~20mA Position transmitter | | | | | | 1 |
| | HART | | | | | | 2 |
| | HART with 4~20mA Position transmitter | | | | | | 3 |
| Alarm switch | None | | | | | | 0 |
| | Included Alarm module | | | | | | A |

Dimension [Unit:mm]





4665 Interstate Drive Cincinnati, OH 45246
Ph 513-731-2900 Fax 513-731-6939
www.jflowcontrols.com