



### DESCRIPTION

- Direct Mount
- 2 - Piece Ball Valve
- Full Port
- 1/4" - 3"
- 600 (CF8) / 1000 (CF8M) PSI (WOG)

# DM3800 Series

### CERTIFICATIONS

- ANSI / ASME B16.34
- End Connections ASME B1.20.1
- Material Certification EN10204-3.1 MTR
- Quality Assurance ISO 9001:2008
- Steel Casting: MSS SP-55
- Valve Marking: MSS SP-25
- Direct Mount: ISO 5211
- Stem Connection: DIN3337
- Class (pressure rating): Class 400
- End Connection: ASME B1.20.1, ASME B16.11, ASME B16.25

### FEATURES AND BENEFITS

- Body and End Caps Quality Investment Casting
- ISO 5211 Direct Mounting Pad
- Adjustable Stem Packing
- Available in Stainless Steel (CF8 or CF8M)
- Blow-Out Proof Stem Design
- 100% Air Tested Under Water at 80-100 psi
- Working Pressure of 600 / 800 / 1000 psi
- Temperature Range from -20°F to 300°F
- Locking Function
- End Type: NPT / BSPT

### OPTIONS

- Spring Return (Dead Man) Handle
- Extended Stem for Thermal Insulation
- Oval Handle
- Automation Application
- PTFE / PFA Coating (40-70 um)

#### FULL PORT VALVE

### FLOW COEFFICIENT

SIZE	CV Factor
1/4"	8.5
3/8"	8.5
1/2"	21
3/4"	50
1"	90
1-1/4"	110
1-1/2"	240
2"	400
2-1/2"	700
3"	980
4"	1700

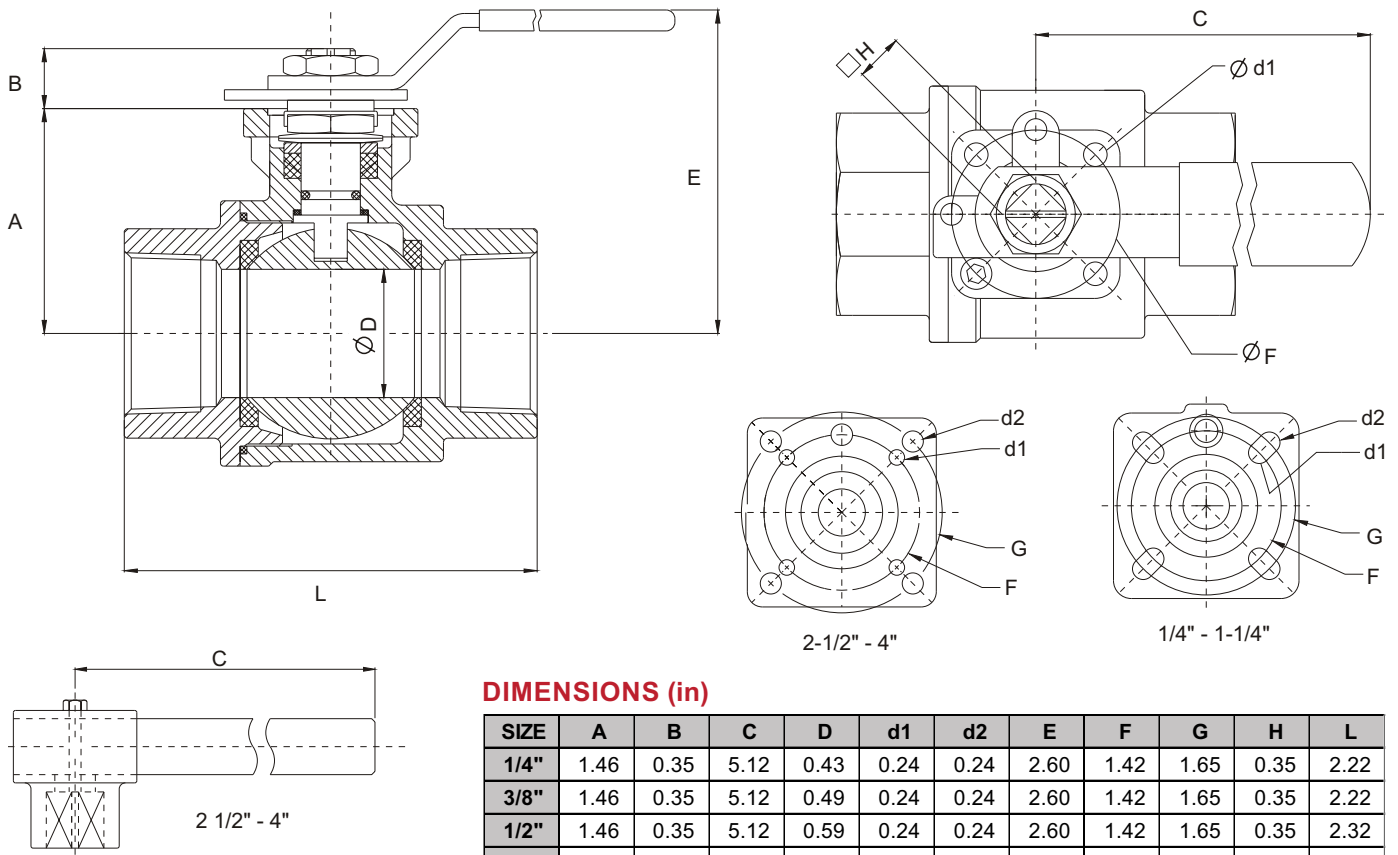
### BREAK-TORQUE VALUE (in-lb at 0 psi)

SIZE	1/4"	3/8"	1/2"	3/4"	1"	1-1/4"	1-1/2"	2"	2-1/2"	3"	4"
GREASE	53	53	62	80	97	124	257	327	637	832	929

Note 1: The greases J Flow Controls uses include lubricants and anti-seize grease that are both SILICONE-FREE.

Note 2: J Flow Controls strongly suggests increasing the torque at least 30%-40% for safety factor when mounting an actuator.

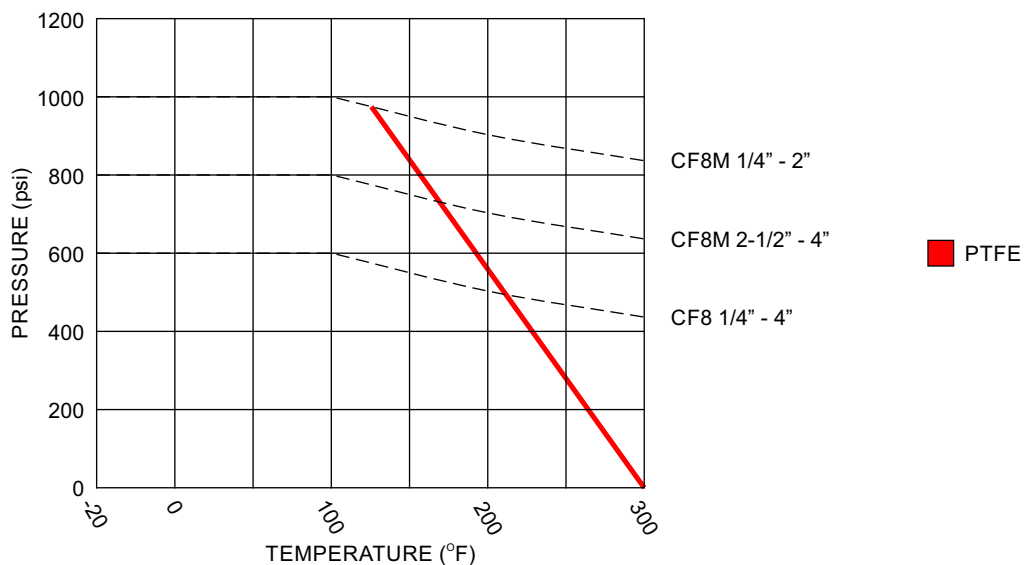
# DM3800 Series Valves



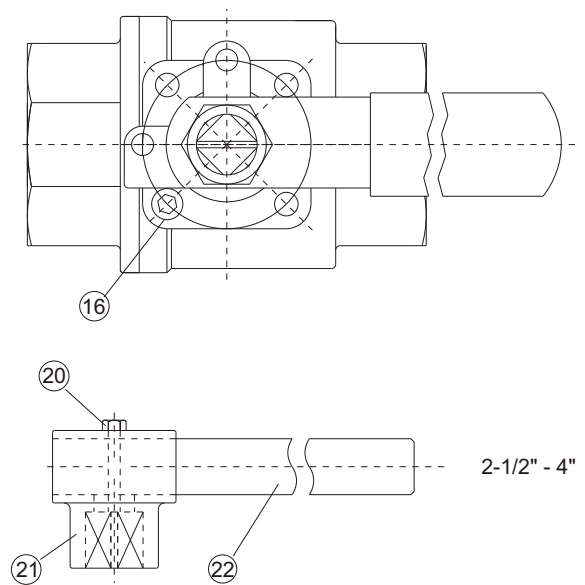
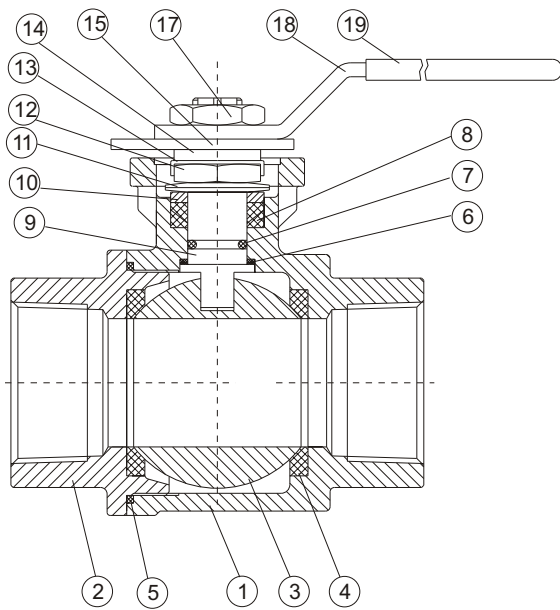
## DIMENSIONS (in)

SIZE	A	B	C	D	d1	d2	E	F	G	H	L
1/4"	1.46	0.35	5.12	0.43	0.24	0.24	2.60	1.42	1.65	0.35	2.22
3/8"	1.46	0.35	5.12	0.49	0.24	0.24	2.60	1.42	1.65	0.35	2.22
1/2"	1.46	0.35	5.12	0.59	0.24	0.24	2.60	1.42	1.65	0.35	2.32
3/4"	1.57	0.43	5.12	0.79	0.24	0.24	2.72	1.42	1.65	0.35	2.81
1"	1.89	0.55	6.30	0.98	0.24	0.28	3.15	1.65	1.97	0.43	3.13
1-1/4"	2.11	0.55	6.30	1.26	0.24	0.28	3.35	1.65	1.97	0.43	3.62
1-1/2"	2.50	0.71	8.07	1.50	0.28	-	3.86	1.97	-	0.55	4.11
2"	2.83	0.71	8.07	1.97	0.28	-	4.17	1.97	-	0.55	4.86
2-1/2"	3.68	0.71	12.20	2.50	0.35	0.45	5.79	2.76	4.02	0.67	6.54
3"	4.09	0.71	12.20	3.07	0.35	0.45	6.18	2.76	4.02	0.67	7.28
4"	5.20	1.02	13.78	3.90	0.45	0.53	7.60	4.02	4.92	0.87	8.62

## PRESSURE/TEMPERATURE CHART



# DM3800 Series Valves



## MATERIALS LIST

ITEM	PART NAME	MATERIALS
1	BODY	CF8M / CF8
2	END CAP	CF8M / CF8
3	BALL	SS 316
4	SEAT	PTFE
5	GASKET	PTFE
6	THRUST WASHER	RPTFE
7	O-RING	VITON
8	STEM PACKING	PTFE
9	STEM	SS 316
10	GLAND	SS 304
11	DISK WASHER	SS 301
12	STEM NUT	SS 304
13	NUT STOP	SS 304
14	SPACE WASHER	SS 304
15	PLATER	SS 304
16	STOP PIN	SS 304
17	HANDLE NUT	SS 304
18	HANDLE	SS 304
19	SLEEVE	PLASTIC
20	SET BOLT	SS 304
21	LEVER HEAD	CF8
22	LEVER	STEEL PIPE

# DM3800 Series Valves

## HOW TO ORDER

Example: 100-DM3833FP TTTTTFPTNANA

VALVE SIZE		PRODUCT SERIES	BODY MATERIAL	BALL/STEM MATERIAL	PORT	PACKING / BODY SEAL MATERIAL
<b>025</b> 1/4"	<b>125</b> 1-1/4"	<b>DM38</b>	<b>0</b> CF8	<b>0</b> CF8	<b>FP</b> Full Port	<b>TT</b> PTFE
<b>038</b> 3/8"	<b>150</b> 1-1/2"		<b>3</b> CF8M	<b>3</b> CF8M		
<b>050</b> 1/2"	<b>200</b> 2"		<b>A</b> CF3M	<b>A</b> CF3M		
<b>075</b> 3/4"	<b>250</b> 2-1/2"					
<b>100</b> 1"	<b>300</b> 3"					

SEAT MATERIAL	END CONNECTIONS	MATERIAL OPTIONS	DESIGN OPTIONS
<b>TT</b> PTFE	<b>FPT</b> Female NPT <b>FMT</b> Female Metric THD	<b>NA</b> Standard	<b>NA</b> Standard

While the information and specifications contained in this literature are believed to be accurate, they are supplied for informative purposes only and should not be considered certified or a guarantee of satisfactory results. Nothing contained herein is to be construed as a warranty or guarantee, express or implied, regarding any matter with respect to this product. Because J Flow Controls is continually improving and upgrading its product design, the specifications, dimensions and information contained herein are subject to change without notice.