

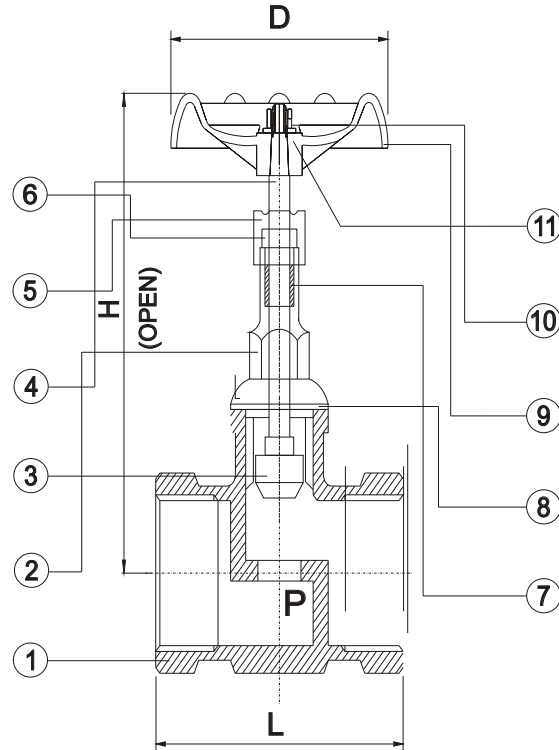
# GB Series Low Pressure Globe Valve

200WOG  
SIZE: 1/2"-2"



## SPECIFICATION

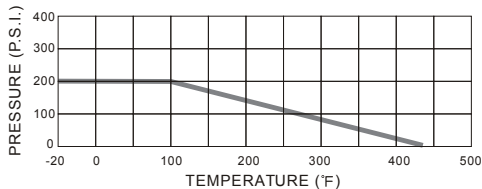
- \* Body & end caps quality investment casting
- \* 200 WOG working pressure
- \* Size range: 1/2" to 2"
- \* Non-rising stem, non-rising handwheel



## DIMENSIONS (inch)

SIZE	P	L	H	D
1/2"	0.59	2.60	4.02	2.44
3/4"	0.63	2.70	4.02	2.44
1"	0.75	3.08	4.13	2.91
1-1/4"	0.94	3.39	4.76	3.74
1-1/2"	1.26	3.86	5.55	3.74
2"	1.50	4.35	6.18	3.94

## PRESSURE/ TEMPERATURE (BODY)



## MATERIALS LIST

ITEM	PART NAME	MATERIALS
1	BODY	CF8M
2	BONNET	CF8M
3	DISC	SS 316
4	STEM	SS 316
5	GLAND NUT	CF8M
6	GLAND	CF8M
7	GLAND PACKING	PTFE
8	GASKET	PTFE
9	HANDWHEEL	SS 400
10	NUT	SS 304
11	WASHER	SS 304

## ORDERING SCHEMATIC

Series	Body / Plug	Port	Packing	Seat	Ends
GB	33 316 SS	R Reduced	T PTFE Teflon	M Metal	S Threaded



The Right Valve • The Right Application • Right now!

J Flow Controls, LLC  
14 De Camp • Cincinnati, OH 45216  
Phone: 513-731-2900 • Fax 513-731-6939  
www.jflowcontrols.com