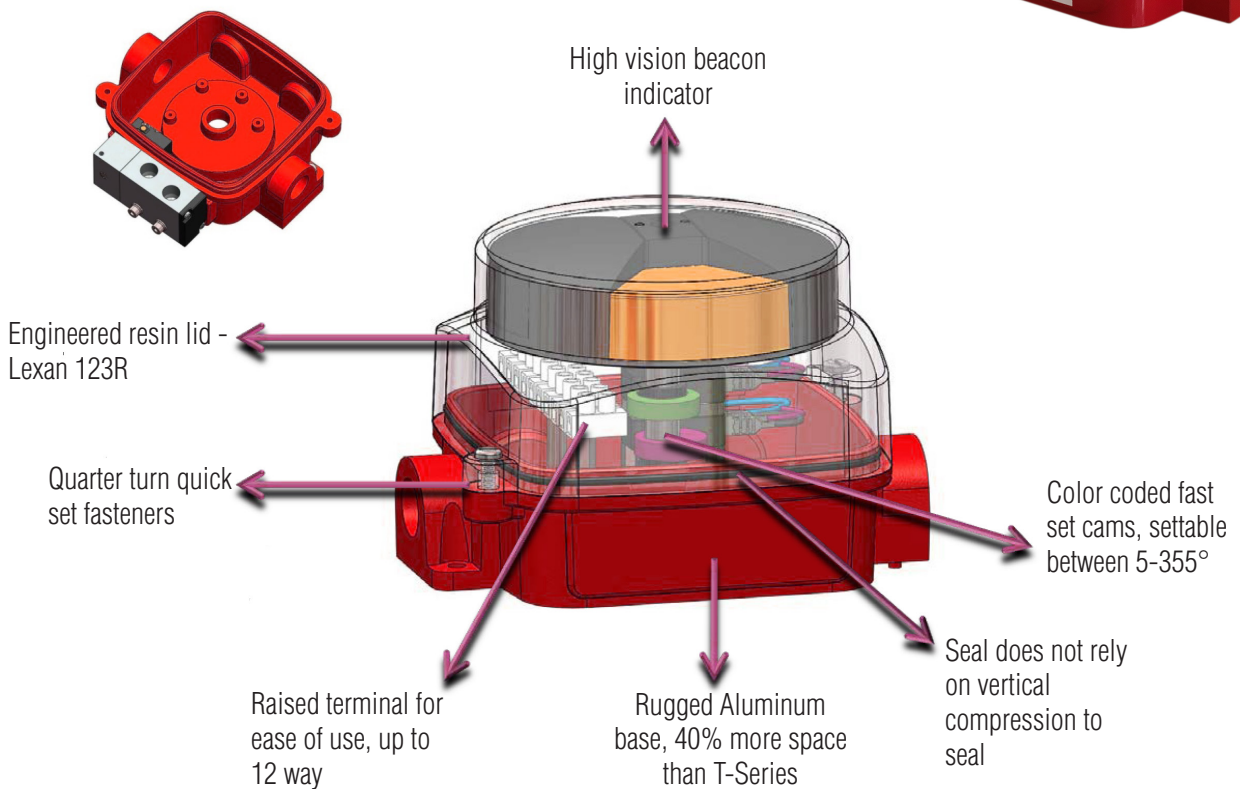


Series 53A Limit Switch

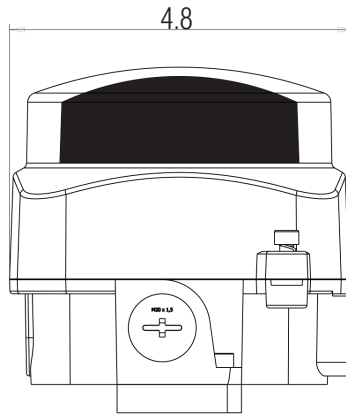
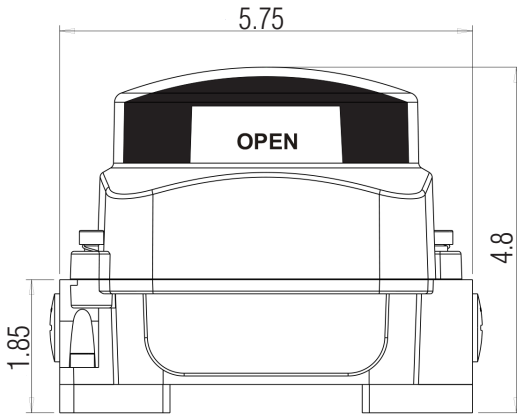
Integral Solenoid Options

- 3/2, 5/2 and 5/3 (fail fast) way
- 1.0 or 3.0 Cv Aluminum or Stainless Steel
- Multi-voltage input standard
- Internal pushbutton override standard, external latching override available
- Low current pilot 0.6W
- Pilots mounted inside housing for IP protection
- Can remove spool body without opening box
- IP68
- NEMA 4/4X
- CE certified
- Can be fitted with an V3 style switch
- M12-M18 proximities up to 50mm long can be fitted

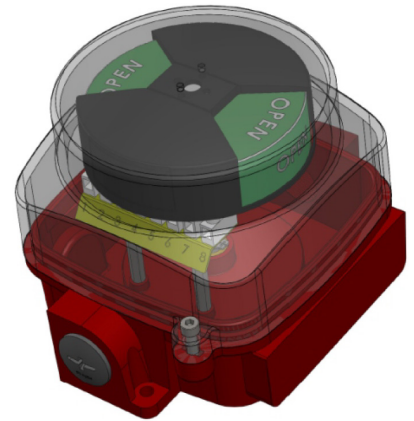
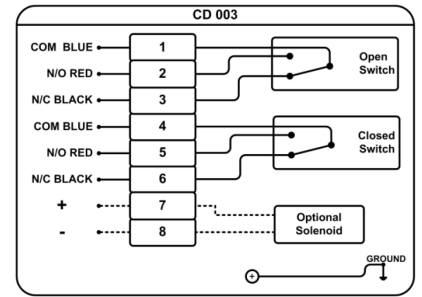


4665 Interstate Drive • Cincinnati, OH 45246
Phone: 513.330.6354 • Fax: 513.731.6939
www.jflowcontrols.com
info@jflowcontrols.com (email)

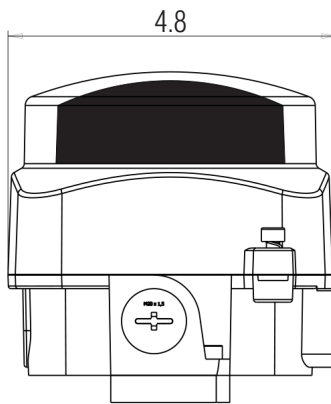
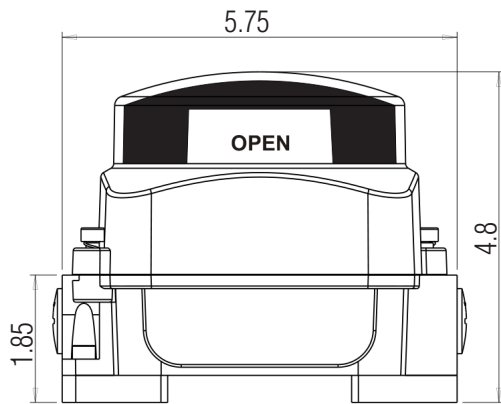
Series 53A



WIRING DIAGRAM



Series 53A-P



WIRING DIAGRAM

