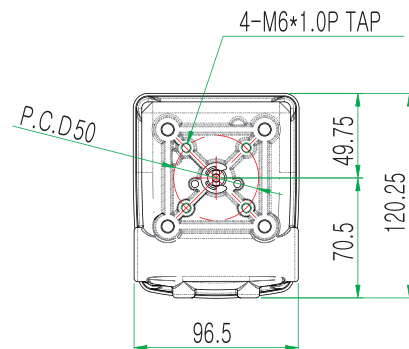
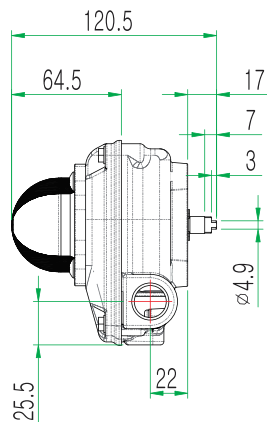
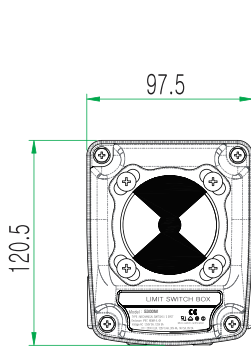


Product Number: 5300 ■ ■ ■ ■ (specify your requirement)

Model	Switching Type	Connection Type	Bracket Type	Ambient Temp
5300	M Mechanical Type	1 NPT1/2	1 ST-1 (30*80,H20)	1 -20°C ~ 80°C
	P Proximity Type	3 PF1/2 4 M20	2 ST-2 (30*80,H30) 3 ST-3 (30*130,H30) 4 ST-4 (30*130,H50)	2 -20°C ~ 120°C



Item · Type	5300M	5300P
Switch Type	Mechanical Switch x 2	Proximity Sensor x 2
Switch Rating	AC:250V 3A, 125V 5A DC:250V 0.2A,125V 0.4A,30V 4A	12-24V DC (Operating voltage:10~30V DC)
Enclosure Protection	IP67	
Ambient Temp.	-20°C~80°C	
Conduit Entry	NPT1/2(PT1/2),PF1/2,M20,PG13.5)	
Terminal	8 Points	
Mouting Bracket	NAMUR VDI / VDE 3845, ISO 5211	
Material	Aluminum Diecasting	
Weight	880g (1.94lb)	



- Visual position indicator
- 6 contacts of terminal ports
- Compatibility with any rotary motion actuator <ISO5211>

- Easy adjustment of cam position
- Dual 1/2" conduit entries