

SV61 Series

Solenoids

The SV61 Series mounts directly to actuators with a NAMUR interface. The solenoid leads can be wired to the limit switch terminal strip, eliminating a separate terminal box.

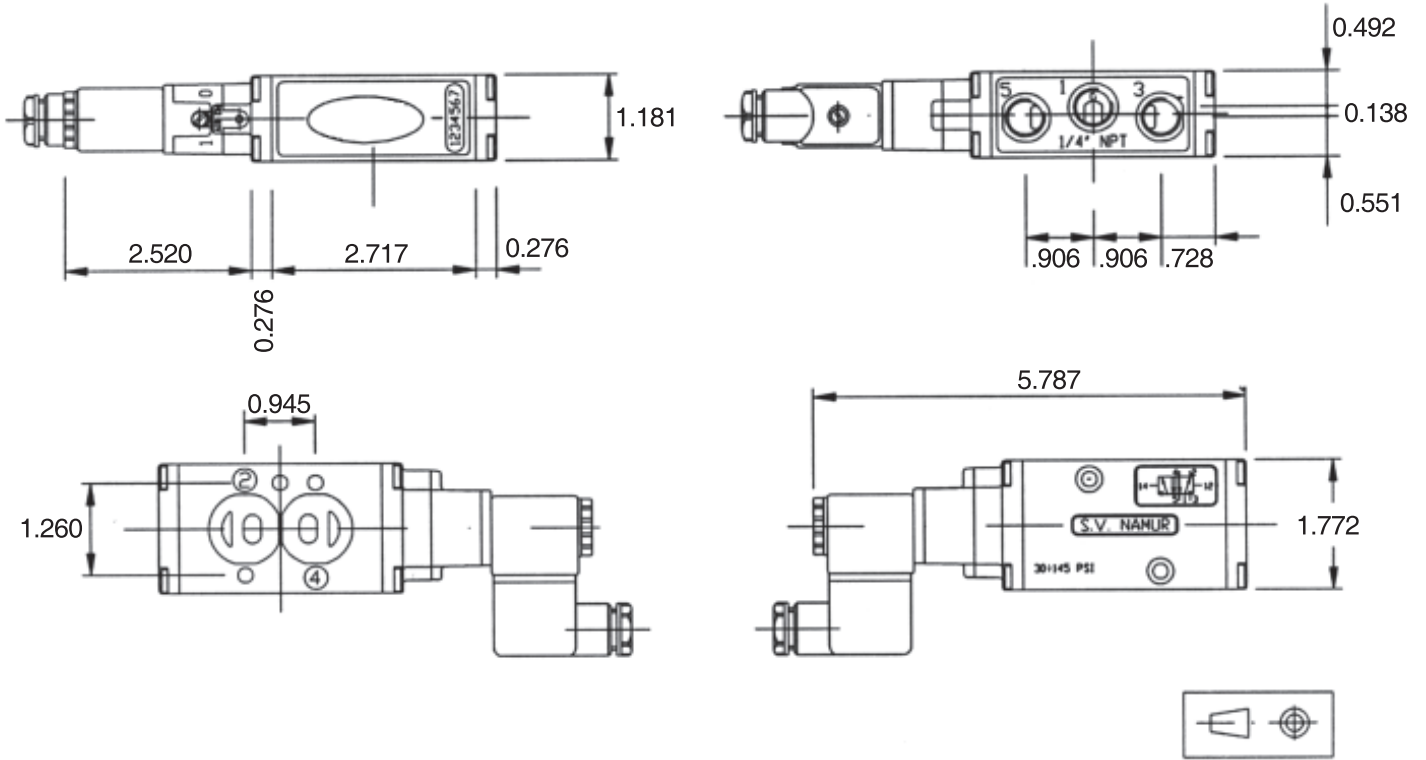


Features & Benefits

- Extremely rapid response and extended cycle life
- Coil is hermetically sealed as an integral watertight molded unit
- Available in NEMA 4 (weather-proof)
- Pilot is internally supplied with the pressure at port 1 at 30 to 145 psig
- Temperature: -4°F to +158°F
- As an option, the SV61 solenoid can be wired directly into the AP41-L limit switch box, eliminating junction box
- The solenoid comes complete with a manual override button for local operation
- Options include speed controls, DIN connectors, double coil and high temperature construction for a variety of control requirements

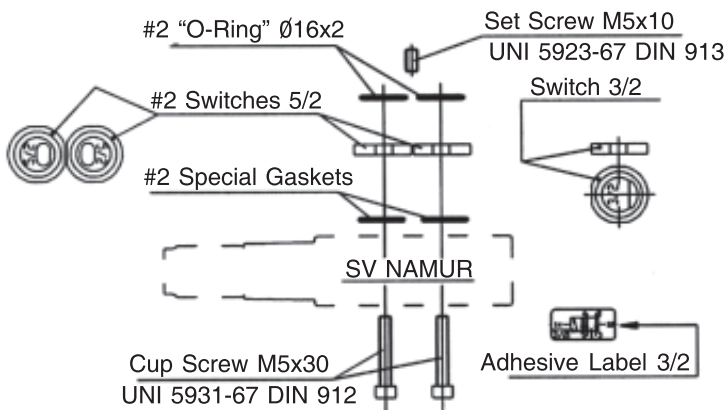
Engineering

Dimensions



Dimensions in inches

Standard Kit



Technical Data

Standard voltages = 24 - 110 - 220V 50/60 Hz - 12 - 24V DC
 Power input = 50/60 Hz inrush 7,5VA rated 5VA
 Power input = DC 3W
 Voltage tolerance = + 10%
 Coil insulation = class "F" (for nylon coil)
 Duty cycle = 100%
 Protection class = NEMA 4, 4x with connector assembled
 Air supply connection = 1/4" NPT
 Operating pressure = min. 30 PSI; max. 145 PSI
 DIN connector 1/2" NPT
 Flow factor = CV 0.5
 Max. operating frequency = 600/1'
 Room temperature limit = -4°F - +158°F
 Weight = 1.080 lb

J Flow Controls, LLC

J Flow Controls, LLC
 14 De Camp Ave. • Cincinnati, OH 45216
 513-731-2900 • 1-866-95JFLOW • 513-731-6939
 sales@jflowcontrols.com • www.jflowcontrols.com