



DESCRIPTION

- 2 - Piece Ball Valve
- Full Port
- 1/4" - 2"
- 1000 PSI (WOG)

LD3700 Series

CERTIFICATIONS

- Valve Design: ASME B16.34
- Face to Face: ASME B16.10
- Material Certification: EN10204-3.1 MTR
- Quality Assurance: ISO 9001:2008
- Steel Casting: MSS SP-55
- Valve Marking: MSS SP-25
- Valve Test: API 598 (ISO 5208)
- End Connection: ASME B1.20.1

FEATURES AND BENEFITS

- For Chemical and Industrial Applications
- Blow-Out Proof Stem Design
- 100% Air Tested Under Water at 80-100 PSI
- Working Pressure: 1000 PSI (WOG)
- Temperature Range: -20°F to 300°F
- End Type: NPT

OPTIONS

- Locking Device
- Oval Handle
- Butterfly Handle

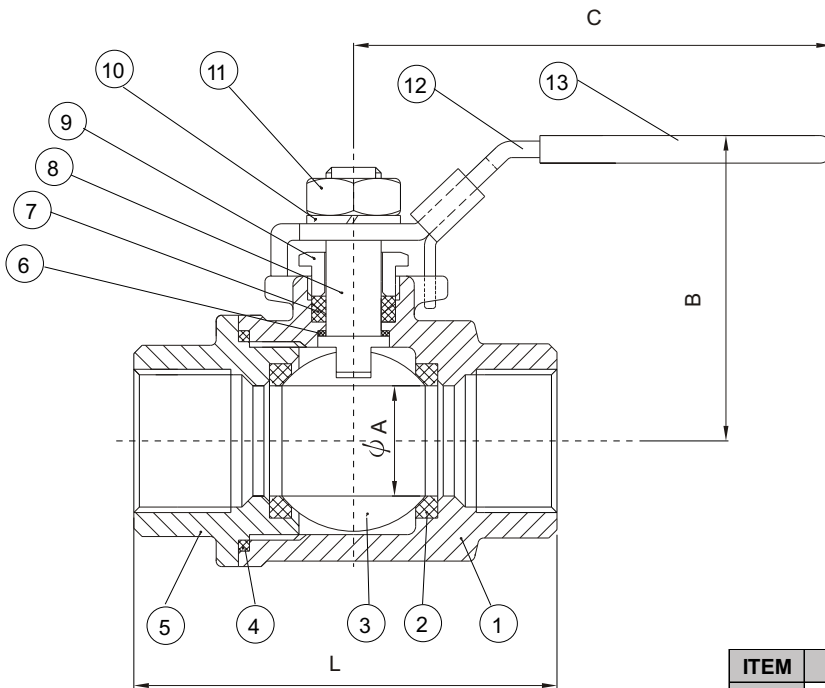
HOW TO ORDER

Example: 100-LD3733FP TTTTTFPTNANA

VALVE SIZE		PRODUCT SERIES	BODY MATERIAL	BALL/STEM MATERIAL	PORT	PACKING / BODY SEAL MATERIAL
025	1/4" 100 1"	LD37	3 CF8M	3 CF8M	FP Full Port	TT PTFE
038	3/8" 125 1-1/4"					
050	1/2" 150 1-1/2"					
075	3/4" 200 2"					

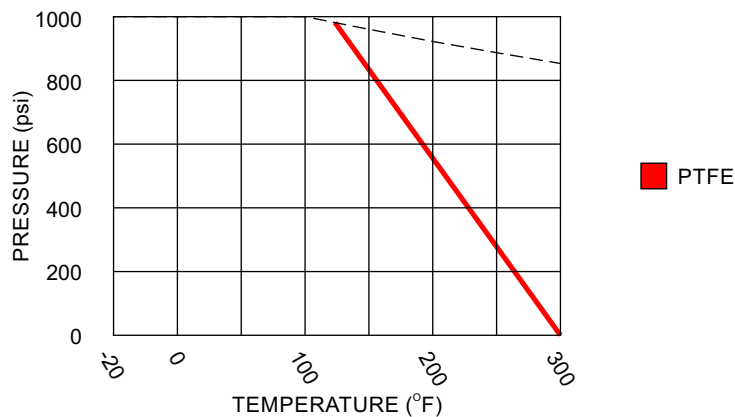
SEAT MATERIAL	END CONNECTIONS	MATERIAL OPTIONS	DESIGN OPTIONS
TT PTFE	FPT Female NPT FMT Female Metric THD	NA Standard	NA Standard

LD3700 Series Valves



SIZE	L	A	B	C
1/4"	1.91	0.45	2.03	3.90
3/8"	1.91	0.49	2.03	3.90
1/2"	2.28	0.59	2.09	4.13
3/4"	2.52	0.79	2.20	4.13
1"	2.99	0.98	2.60	4.76
1-1/4"	3.43	1.26	2.91	5.39
1-1/2"	3.86	1.50	3.27	6.30
2"	4.92	1.97	3.62	7.48

ITEM	PART NAME	MATERIALS
1	BODY	CF8M
2	SEAT	PTFE
3	BALL	SS 316
4	GASKET	PTFE
5	END CAP	CF8M
6	THRUST WASHER	PTFE
7	STEM PACKING	PTFE
8	STEM	SS 316
9	GLAND	SS 304
10	STEM WASHER	SS 304
11	HANDLE NUT	SS 304
12	HANDLE	SS 304
13	SLEEVE	PLASTIC



While the information and specifications contained in this literature are believed to be accurate, they are supplied for informative purposes only and should not be considered certified or a guarantee of satisfactory results. Nothing contained herein is to be construed as a warranty or guarantee, express or implied, regarding any matter with respect to this product. Because J Flow Controls is continually improving and upgrading its product design, the specifications, dimensions and information contained herein are subject to change without notice.