

Electric Actuator JFE W/X Series

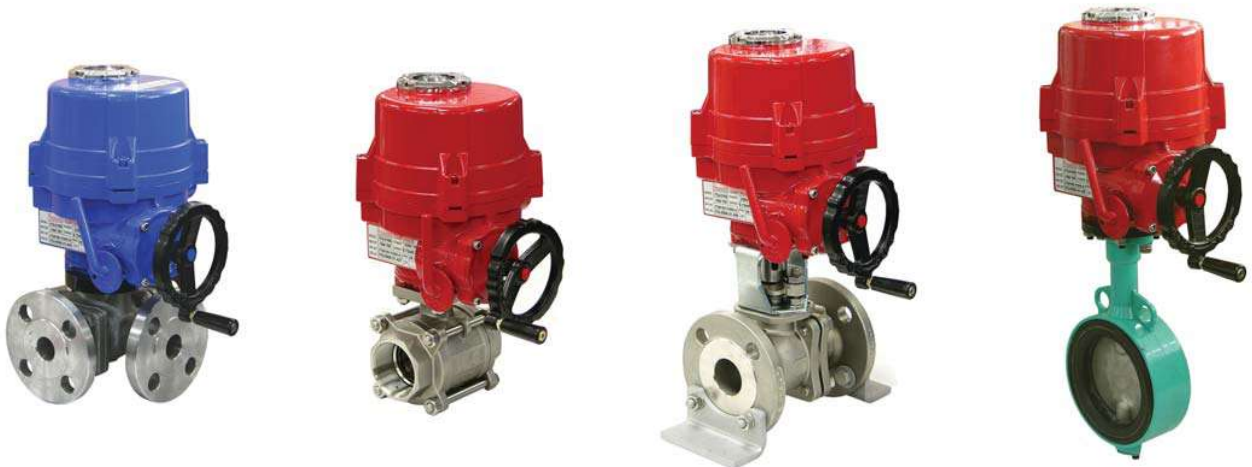
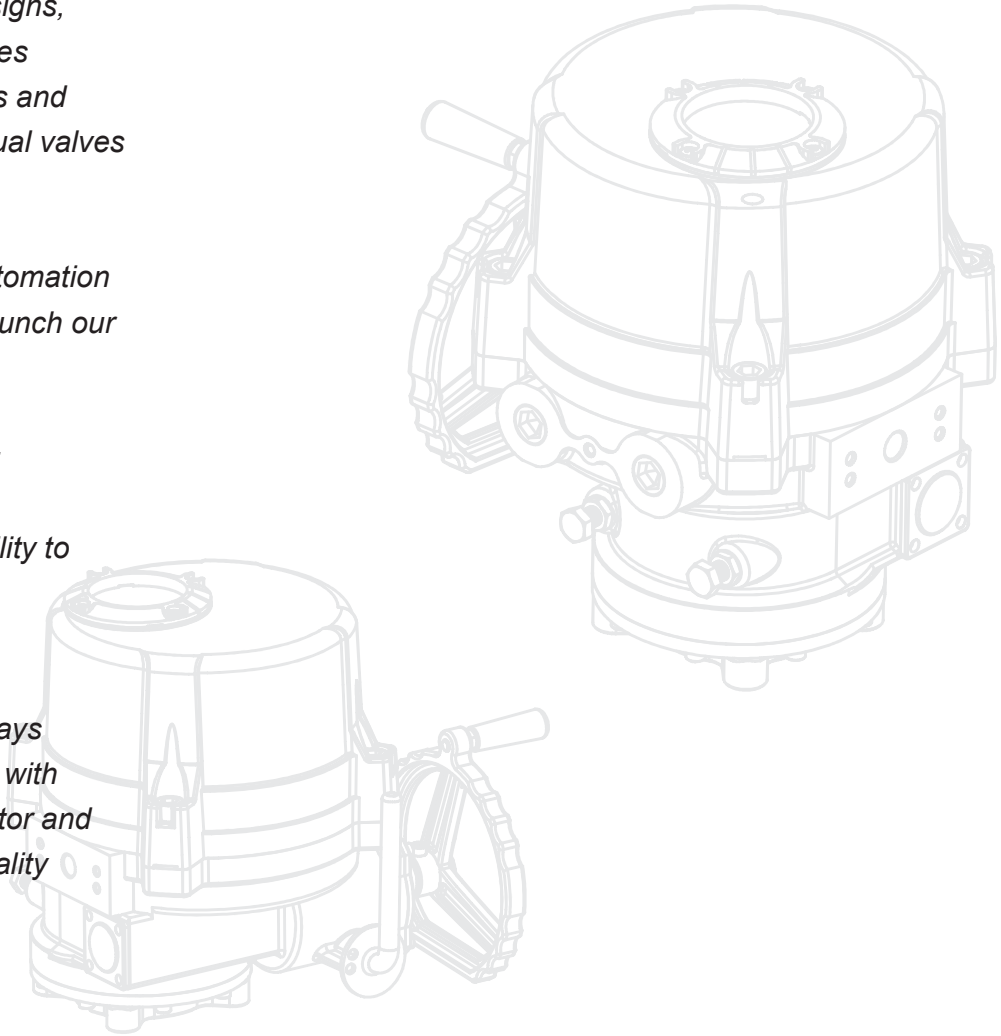


The Right Valve • The Right Application • Right now!



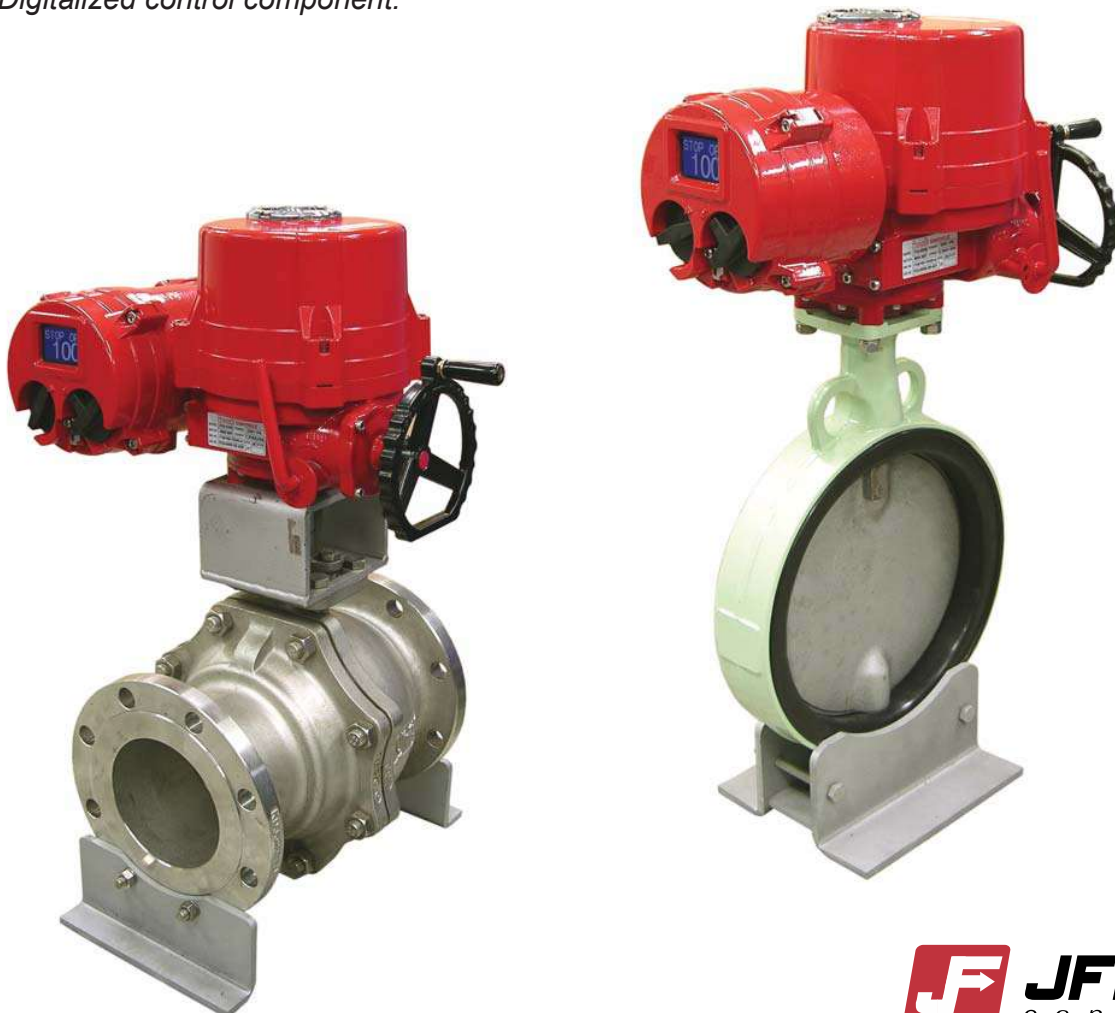
INTRODUCTION

- JFLOW controls designs, produces and provides high quality actuators and automated and manual valves
- Our years of experience in the automation field enables us to launch our JFE series electric actuator which has compact size, robust construction, reliable performance and ability to integrate fully into sophisticated control systems.
- Jflow controls is always ready to provide you with the JFE series actuator and accessories, with quality service.



FEATURES

- Compact and robust construction, light weight providing high output torque (Max 80,000 In-lbs / 9000Nm).
- Wide range of torque variation (From min 885In-Lbs to max 80,000 In-Lbs).
- Hard anodized aluminum housing inside and outside with external powder coated against severe industrial environment.
- Enclosure using radial seals & O-rings that provide protection to waterproof IP67 (Nema 4 & 6) and optional watertight IP68
- Mounting base according to ISO5211 standard.
- Removable drive bushing for easy machining and mounting.
- Self-locking provided by double worm gearing (no brake required).
- Auto-declutching manual override handwheel with padlockable auto / manual switchable lever.
- Reliable Mechanical Torque sensing system providing safe operation in overload condition.
- Large size window and indicator provides better position indication from a distance.
- Various Local position control options providing easy commissioning and operation in field.
- Digitalized control component.



CONSTRUCTION

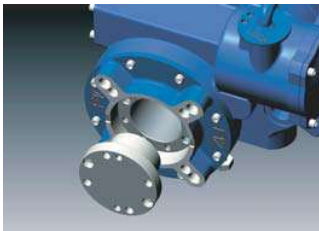


External mechanical stopper

- Prevents over run of travel angle when limit switch fails.

Cable entries

- Standard 2-3/4NPT



Removable drive bushing and ISO5211 mounting base

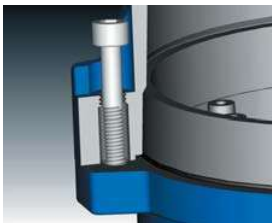
- (F07~F30) for easy mounting on valve.



Captive cover bolts

- Designed to prevent losing it during maintenance or installation.

* All external bolts are stainless steel for rust prevention.



Standard

Tapered interface between cover and lower housing

- For easy lifting cover up from lower housing for wiring or maintenance.

- Housing

- Hard anodized Aluminum casting and external epoxy powder coated against severe industrial environment.

Gearing

- Precisely machined double worm gear c/w minimum back-lash, low noise, high output torque.

Self locking

- Provided by double worm gearing to keep position of valve unchanged against reverse torque from valve.

Sealing

- By O-ring in all interfaces IP67(standard), and double o-ring for IP68 (option)

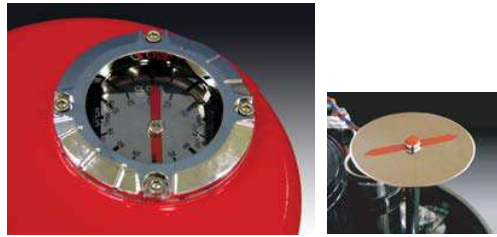
Handwheel

- Different sizes depending on actuator torque, and knob on handwheel for easy operation.

Motor

- Specially designed induction motor to generate high starting torque and high efficiency equipped with thermal protector to prevent damage from over heating.
- Insulation class F





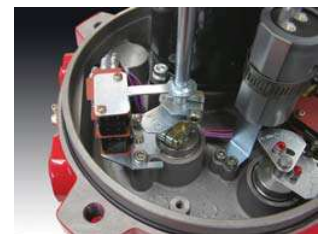
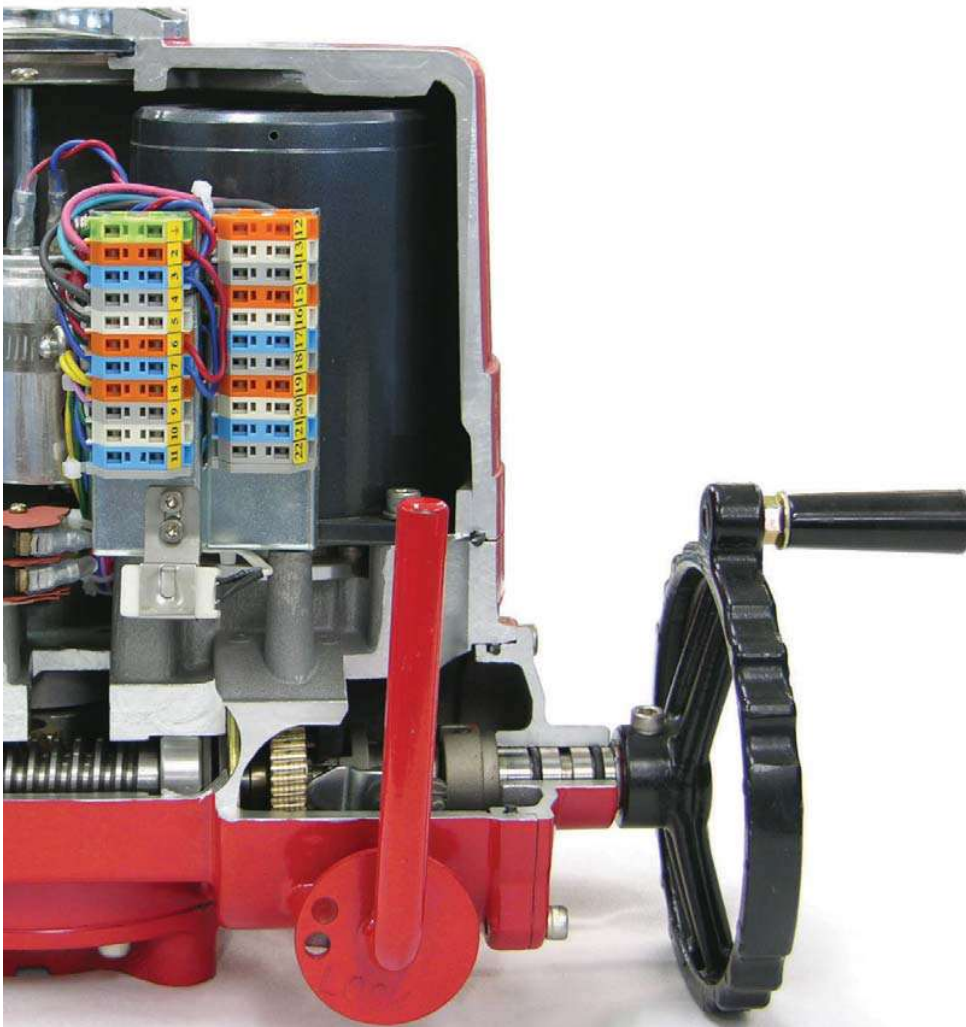
Indicator

- Continuous mechanical position indicator and window with dial



Torque switches

- Protect actuator from damage caused by overload from the driven valve over the whole travel.
- 1 each for open / close



Limit switches

- Directly engaged with driving shaft to set accurate position of valve.
- 2 ea for each travel end (open/close).
- Optional Extra Limit Switches (Max 4 ea for each end) : Except for JFE 0100



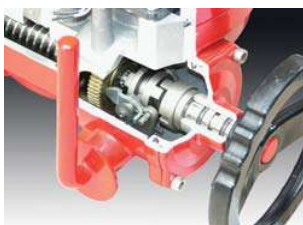
Terminal

- Spring loaded push type terminal for tight wiring connection under severe vibration.



Space Heater

- Anti-condensation



Manual override

- Auto / Manual switchable lever and handwheel engagement for emergency manual operation.
- Drive force automatically resorted by motor start, unless lever padlocked to prevent this occurring.

TECHNICAL INFORMATION

Model	JFE 0100	JFE 0160	JFE 0240	JFE 0350	JFE 0500	JFE 0800	JFE 1100	JFE 2000	JFE 3000	JFE 6000	JFE 9000
Rated torque (In-Lbs)	885	1400	2100	3100	4400	7000	9700	17700	26500	53000	80000
Duty cycle S4 (%)	50	50	50	50	30	25	25	25	25	25	25
Operating time (second)											
50Hz	21	26	26	31	31	39	39	59	59	178	178
60Hz	18	22	22	26	26	32	32	50	50	149	149
24DC(No Load)	18	33	33	37	34	-	-	-	-	-	-
Max bore Size (IN)											
Key(ϕ)	0.87	0.98	0.98	1.57	1.57	1.90	1.90	2.95	2.95	4.72	4.72
Square(ϕ)	0.79	0.91	0.91	1.49	1.49	1.58	1.58	2.52	2.52	3.94	3.94
Rated current (A)											
1Phase / 110V / 50Hz	0.98	1.60	1.62	1.72	3.60	3.90	3.90	4.95	6.6	4.95	6.6
60Hz	1.10	1.70	1.72	1.80	3.90	4.20	4.30	4.55	6.1	4.55	6.1
1Phase / 220V / 50Hz	0.52	0.85	0.87	0.92	1.50	2.05	2.15	2.95	3.75	2.95	3.75
60Hz	0.58	0.90	0.90	0.95	1.60	2.20	2.30	3.15	3.85	3.15	3.85
3Phase / 380V / 50Hz	0.43	0.30	0.32	0.32	0.52	0.82	0.84	1.5	1.6	1.5	1.6
60Hz	0.33	0.30	0.32	0.32	0.56	0.88	0.90	1.8	2.0	1.8	2.0
3Phase / 440V / 50Hz	0.59	0.30	0.32	0.32	0.55	0.82	0.84	2.3	2.5	2.3	2.5
60Hz	0.42	0.32	0.35	0.35	0.58	0.88	0.88	2.2	2.4	2.2	2.4
AC / DC 24V	2.8	1.8	2.4	3.8	5.0	-	-	-	-	-	-
Motor insulation class	F	F	F	F	F	F	F	F	F	F	F
ISO 5211 mounting flange	F07	F07/F10	F07/F10	F10/F12	F10/F12	F12/F14	F12/F14	F16	F16	F25/F30	F25/F30
Weight (Lbs)	15	33	33	44	44	55	55	93	93	152	152
No of handwheel turns	10	12	12	14	14	17	17	13	13	39	39

STANDARD SPECIFICATION

Enclosure	Weatherproof IP67, NEMA4 4X and 6, O-ring sealed, Optional: CSA NEMA 7
Main Power supply	110/220VAC/1Ph/50/60Hz, 380/440/VAC/3Ph/50/60/Hz 10%, 24VDC
Control power supply	110/220VAC/1Ph/50/60Hz 10%
Duty cycle(on-off)	S2: 10Min~30Min
Duty cycle(modulating)	S4, 30~50%, 300~1200 start/Hour
Motor	Squirrel Cage induction motor
Limit switches	2 each for Open and Close (SPDT 250VAC/10A rating)
Torque switches	1 each for Open and Close (SPDT 250VAC/10A rating except for JFE 0100)
Stall protection/ set temp.	Built in Thermal protection, Open 150°C +-5°C, Close 97°C +-15°C
Travel angle	90° 5° (0° ~ 100°)
Position indicator	Continuous mechanical indicator with arrow
Manual override	De-clutchable
Self locking	Provided by double worm gearing (no brake)
Mechanical stopper	1 each for each travel end (Open and Close), external & adjustable
Space Heater	5W(110/220VAC) for anti-condensation
Cable entries	Two - 3/4" NPT
Lubrication	EP type grease
Terminal block	Screw and Lever Push type (spring loaded)
Ambient temperature	Basic actuator : -20°C~+70°C c/w control options : -10°C~+60°C
Ambient humidity	90%RH Max (Non-Condensing)
Anti vibration	XYZ 10g. 02~34Hz, 30 minutes
External coating	Dry powder (Polyester)




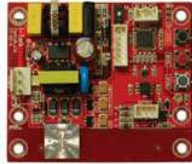

OPTIONS AVAILABLE



Mechanical

Symbol	Description	Remark
JFEX	Explosion proof (Class 1, Div 1, Grps C & D, Ex d II B T4)	Approved by CSA, ATEX, NEPSI
WT	Watertight (IP68), Temporary submersible	10M Head 100hours
ALS	Auxiliary limit switches (Max 2 for each travel end)	
ATS	Auxiliary torque switches (Max 2 for each travel end)	Except for JFE 0100
EXT	Extended travel angle (up to 120°, 135°, 180°, 270°)	Except for JFE with Gear box
SV	Variation in torque and operating speed	Please consult before ordering

Remote monitoring and control

PK	Potentiometer kit (output signal : 0~1 Kohm) High resolution potentiometer and precisely machined gearing are directly engaged with drive shaft to feedback continuous position of valve	 PK
CT	Current transmitter (output signal : 4-20mA) Zero / Span Adjustment	 CT
DHC Series Modulating Controller	DHC Series Modulating controller (by input and output signal) Input : 4-20mA, 0-10VDC, 2~10VDC, 1~5VDC, 0~5VDC Optional Output : 4-20mA / 0-10VDC 450 Points of Resolution	
Bus Communication	Profibus Communication CANopen Communication	

Local control



LP4 / LM4

Lp4 for 1 & 3 Phase (JFEW 0100~9000)

Control power : Free Voltage (85~265VAC) 50/60Hz, Option : 24VDC
Magnetic selector switches, SMPS (Switching Module Power Supply)
: Open/Close & Local/Stop/Remote

Local lamp indication

- : Power - White(on), Remote : Blue(on),
- : In case of Close Torque Switch Trip -
Yellow(on) + Green (flickering : only at Local Position)
- : In case of Open Torque Switch Trip -
Yellow(on) + Red (flickering : only at Local Position)
- : Full Close - Green(on), Closing - Green(flickering : only at Local Position)
- : Full Open - Red(on), Opening - Red(flickering : only at Local Position)

* Options Available : PK, CT, RPC(Modulating), IP68, Explosion proof

Lm4 for 3 Phase (JFEW 0100~9000)

Including the same functions as LP4
Reversing electric contactors, Transformer



Local control



ICM1 for 1 & 3 Phase (Integral Control Module) (ITQ 0160~9000)

Main Power : 3Ph / 220/380/440 VAC
1Ph / 110/220 VAC

Control power : 24 VDC (Internal Power)
(Option : 110 VAC, 220 VAC (External Power))

Magnetic selector switches

: Open/Close & Local/Stop/Remote

Reversing electric contactors, Transformer, Phase Detector

Auto-Phase Discriminator

Local lamp indication

: Power - White(on), Remote : Blue(on),

: In case of Close Torque Switch Trip - Yellow(on) + Green(flickering)

: In case of Open Torque Switch Trip - Yellow(on) + Red(flickering)

: Full Close - Green(on), Closing - Green (flickering)

: Full Open - Red(on), Opening - Red (flickering)

Single & Reverse Phasing : (Yellow + Green + Red) all flickering



ICM1

* Options Available : Explosion Proof, IP68

ICM2 for 1 & 3 phase (integral with LCD Display) (JFEW 0160~9000)

Including the same functions as ICM1

Reversing electric contactors, Transformer,

Auto-Phase Discriminator, LCD Display

* Options Available : CT, RPC(Modulating),
Explosion Proof,
IP68, Bus Communication



ICM2

ICM3 for 1 & 3 phase (integral with LCD Display/IP68 Enclosure) (JFEW 0160~9000)

Including the same functions as ICM2

Reversing electric contactors, Transformer, Auto-Phase Discriminator,

LCD Display, IP68, Explosion Proof, RPC(Modulating), Bus Communication,

34pins separate compartment for terminal block



Fail safe



BP for 1 Phase (JFEW 0160~0500)

Rechargeable Battery back up - Fail safe function / **Optional: Super Capacitors**

When Main power is alive, actuator works as normally.

Once power fails, actuator will move to pre-set fail safe position.

Input power : Free Voltage (85~265 VAC) 50/60Hz

Output contacts : open/close/Alarm relay

LED signal indication : 4 LEDs (Full Open/Close, Over Torque and Power)

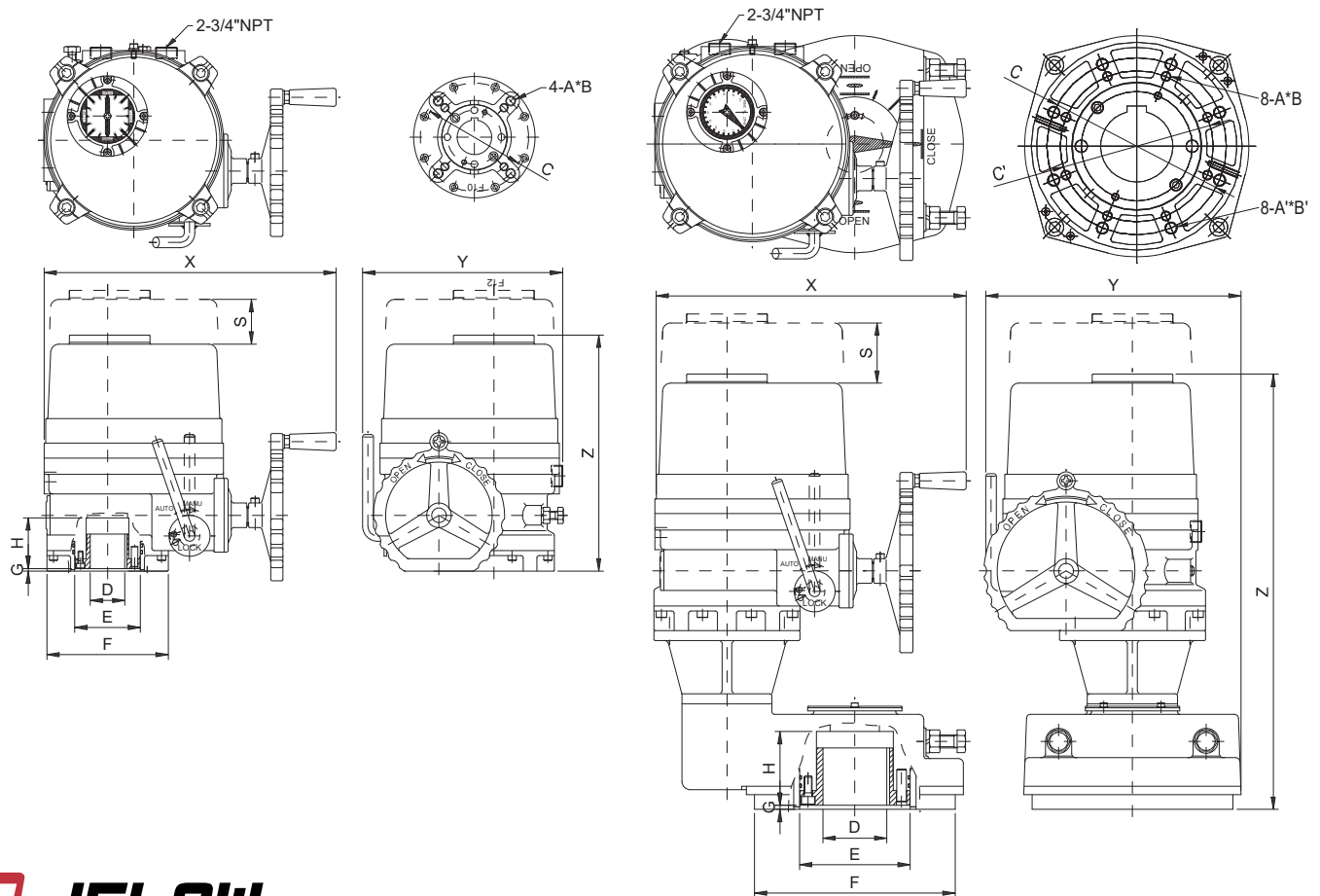
Rechargeable battery : 2.0AH 27.5VDC(Ni-Cd)

BASIC ACTUATOR DIMENSIONS

With Gear Box

Type	JFE 0100	JFE 0160	JFE 0240	JFE 0350	JFE 0500	JFE 0800	JFE 1100	JFE 2000	JFE 3000	JFE 6000	JFE 9000
Flange	F07	F07	F07	F10	F10	F12	F12	F16	F16	F25	F25
ISO5211		F10	F10	F12	F12	F14	F14			F30	F30
C	∅ 2.76	∅ 2.76 ∅ 4.02	∅ 2.76 ∅ 4.02	∅ 4.02 ∅ 4.92	∅ 4.02 ∅ 4.92	∅ 4.92 ∅ 5.51	∅ 4.92 ∅ 5.51	∅ 6.50	∅ 6.50	∅ 10.00 ∅ 11.73	∅ 10.00 ∅ 11.73
A	M8	M8/M10	M8/M10	M10/M12	M10/M12	M12/M16	M12/M16	M20	M20	M16/M20	M16/M20
B	0.55	0.55/0.67	0.55/0.67	0.67/0.83	0.67/0.83	0.79/0.98	0.79/0.98	1.26	1.26	1.18/1.38	1.18/1.38
D(Key)	∅ 0.86	∅ 0.98	∅ 0.98	∅ 1.57	∅ 1.57	∅ 1.90	∅ 1.90	∅ 2.95	∅ 2.95	∅ 4.72	∅ 4.72
D(Squ.)	□ 0.79	□ 0.91	□ 0.91	□ 1.49	□ 1.49	□ 1.58	□ 1.58	□ 2.52	□ 2.52	□ 3.94	□ 3.94
E	∅ 1.97	∅ 2.30	∅ 2.30	∅ 3.15	∅ 3.15	∅ 3.74	∅ 3.74	∅ 5.32	∅ 5.32	∅ 8.50	∅ 8.50
F	∅ 3.47	∅ 4.92	∅ 4.92	∅ 5.83	∅ 5.83	∅ 7.01	∅ 7.01	∅ 8.90	∅ 8.90	∅ 13.78	∅ 13.78
G	0.12	0.12	0.12	0.12	0.12	0.12	0.12	0.20	0.20	0.20	0.20
H	1.46	2.24	2.24	2.44	2.44	2.64	2.64	3.54	3.54	4.49	4.49
S	4.92	5.51	5.51	6.69	6.69	7.68	7.69	8.86	8.86	8.86	8.86
X	10.16	13.31	13.31	14.01	14.01	14.96	14.96	14.96	14.96	20.85	20.85
Y	6.77	9.02	9.02	9.61	9.61	11.30	11.30	14.76	14.76	16.42	16.42
Z	9.65	11.18	11.18	12.32	12.32	13.31	13.31	15.16	15.16	26.30	26.30

(Inch)



CONTROL OPTION DIMENSIONS

(mm)

Type	RPC			CT			BP			LP4 / LM4 / ICM1 / ICM2			ICM3		
	X	Y	Z	X	Y	Z	X	Y	Z	X	Y	Z	X	Y	Z
0100	340	190	220	316	172	220	428	172	220	X			X		
0160 / 0240	O			O			508	229	259	499	229	259	517	284	259
0350 / 0500	O			O			527	244	288	518	244	288	536	284	288
0800 / 1100	O			O			X			541	284	313	559	284	313
2000 / 3000	O			O			X			600	375	385	620	375	385
6000 / 9000	O			O			X			677	417	668	697	417	668

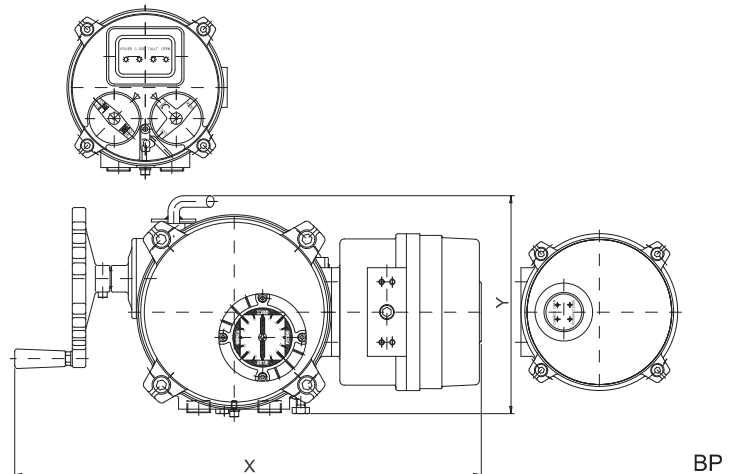
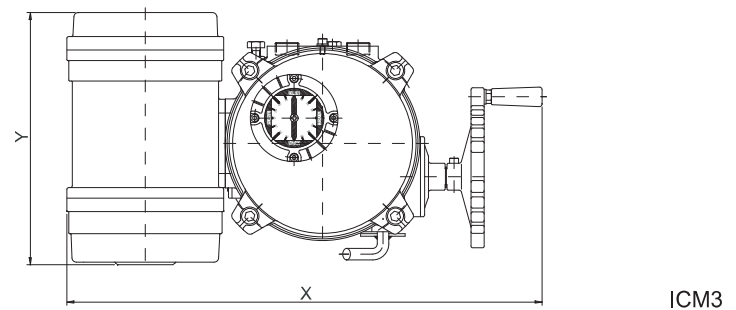
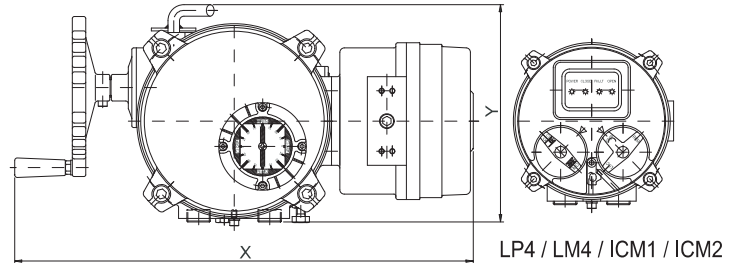
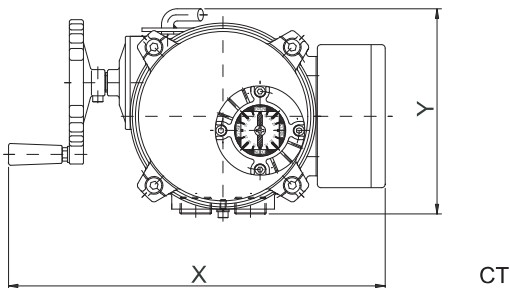
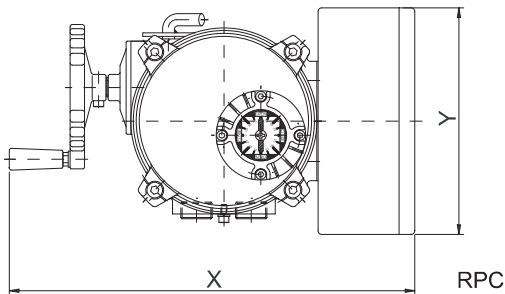
* O : Installed inside of actuator

* X : Not available

* Z : Height of basic actuator

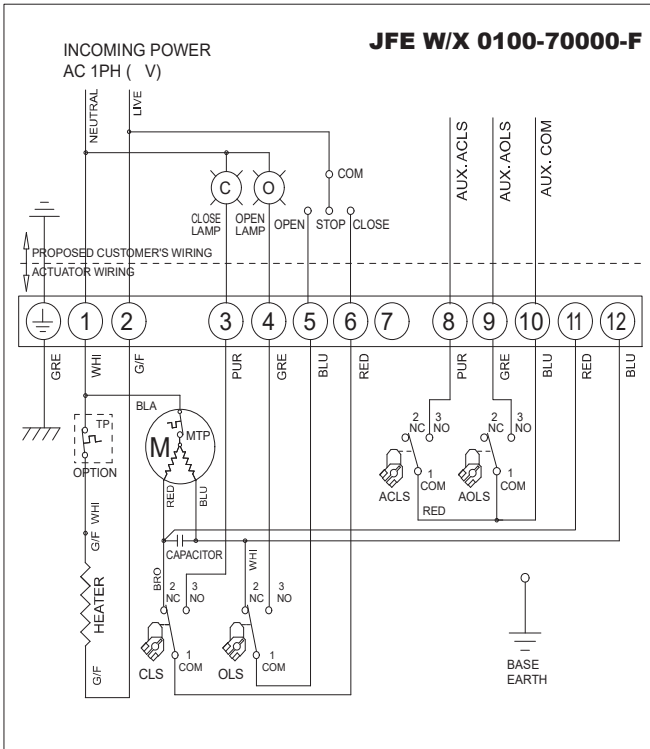
ITQ 0100

0160 ~ 9000

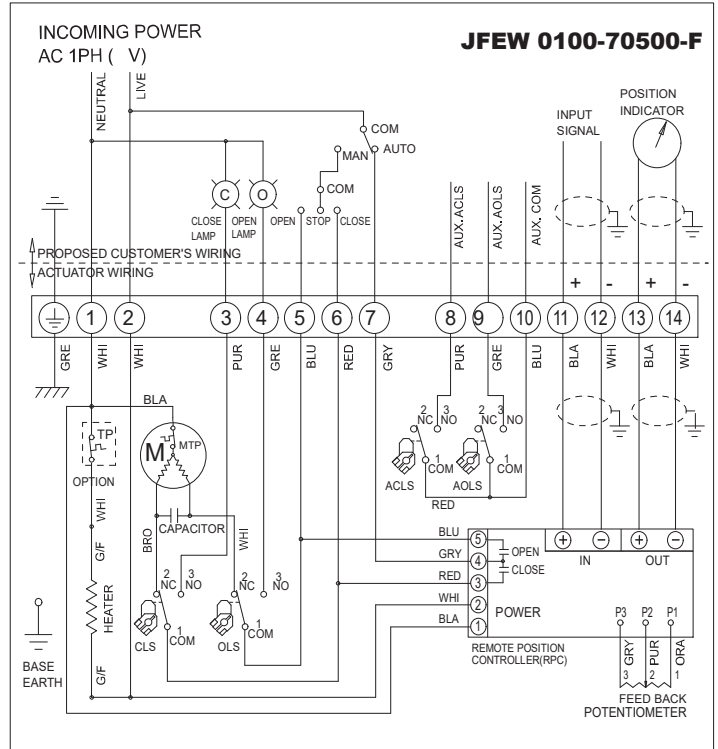


TYPICAL WIRING (JFE W/X 0100)

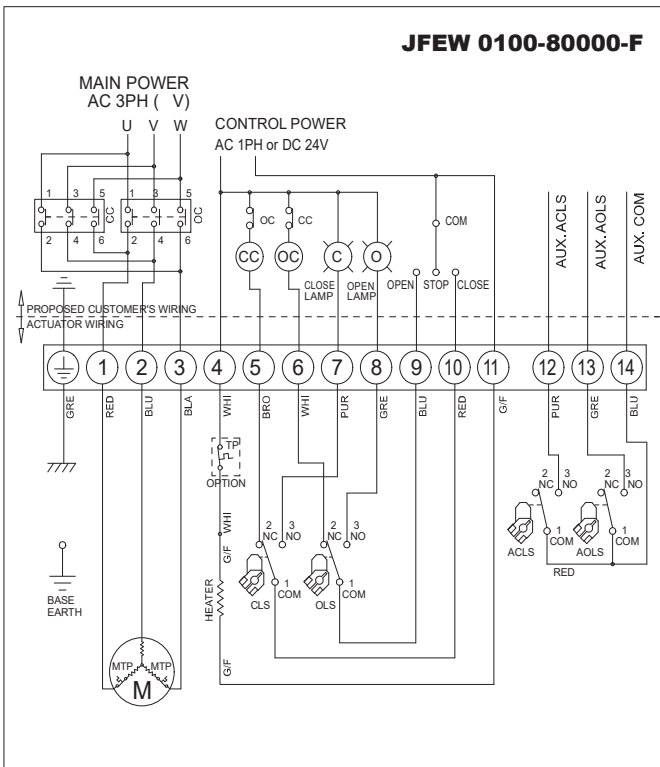
110/220VAC/50/60Hz, 1Ph(On-Off)



110/220VAC/50/60Hz, 1Ph(Modulating : RPC)



380/440VAC/50/60Hz, 3Ph(On-Off)



TORQUE AND LIMIT SWITCHES OPERATION

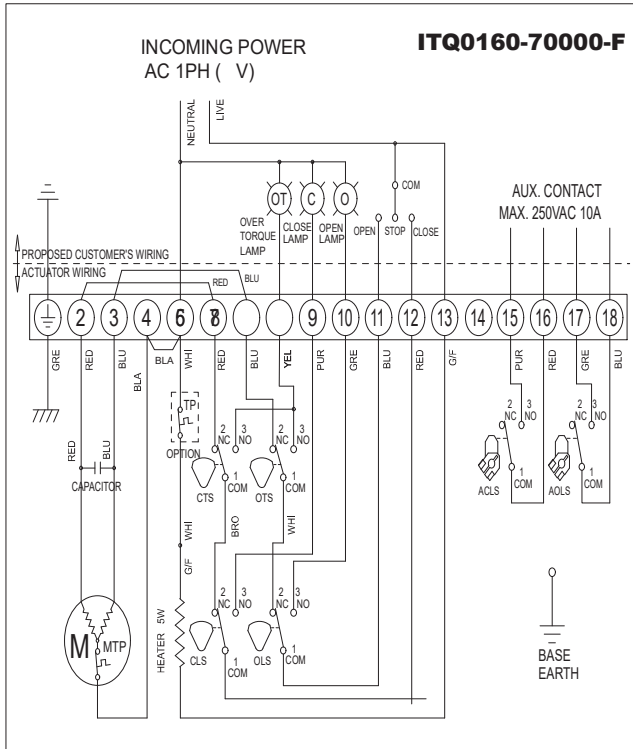
SWITCH	CLOSE	INTERMEDIATE	OPEN
CLS 1-2	█	█	█
CLS 1-3	█	█	█
OLS 1-2	█	█	█
OLS 1-3	█	█	█
ACLS1-2	█	█	█
ACLS1-3	█	█	█
AOLS1-2	█	█	█
AOLS1-3	█	█	█
CTS 1-3	Closing Torque Switch interrupts control if Mechanical overload occurs during closing cycle		
OTS 1-3	Opening Torque Switch interrupts control if Mechanical overload occurs during opening cycle		

Important Notice

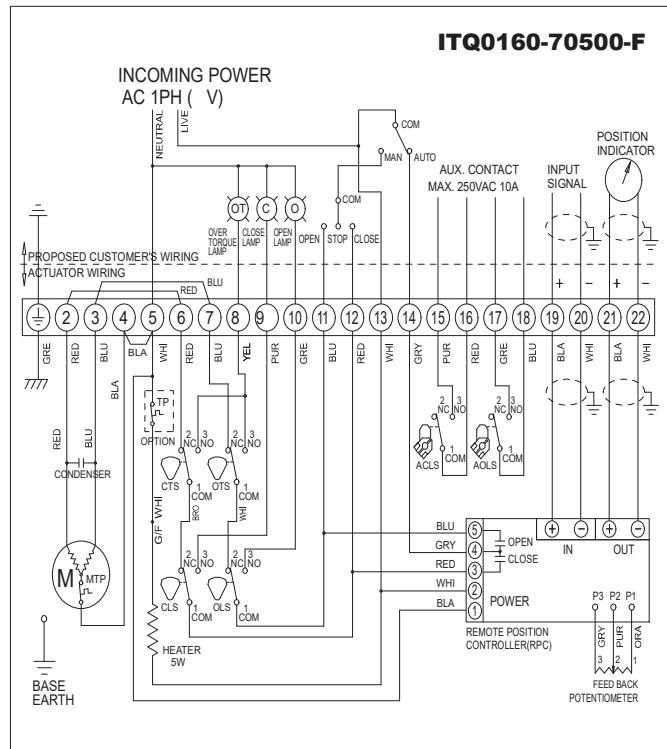
- The Electric Wiring Diagrams shall be modified with terminal no and wires in Red Color for our customers' convenience from 1st of June 2009.
- Please only refer to the Wiring Diagram Sticker or separate Wiring Diagram inside of each actuator. If there is any confusion please contact our distributor.

TYPICAL WIRING (ITQ 0160 ~ ITQ 9000)

110/220VAC/50/60Hz, 1Ph(On-Off)

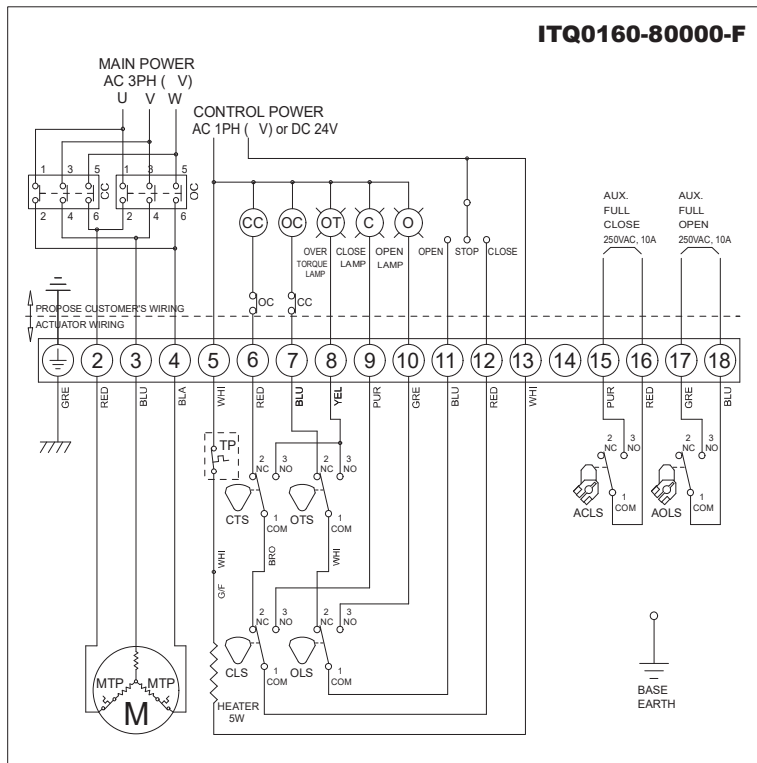


110/220VAC/50/60Hz, 1Ph(Modulating : RPC)



- ALS : Auxiliary Limit Switch
- AOLS : Auxiliary Open Limit Switch (Dry contact)
- ACLS : Auxiliary Close Limit Switch (Dry contact)
- O : Open Lamp
- C : Close Lamp
- OT : Over Torque Lamp
- CLS : Close Limit Switch (250VAC 10A)
- OLS : Open Limit Switch (250VAC 10A)
- CTS : Close Torque Switch (250VAC 10A)
- OTS : Open Torque Switch (250VAC 10A)
- CC : Close Magnetic Coil
- OC : Open Magnetic Coil
- M : Motor
- TP : Thermal Protector (250VAC 15A option)
- MTP : Thermal Protector built in motor

380/440VAC/50/60Hz, 3Ph(On-Off)

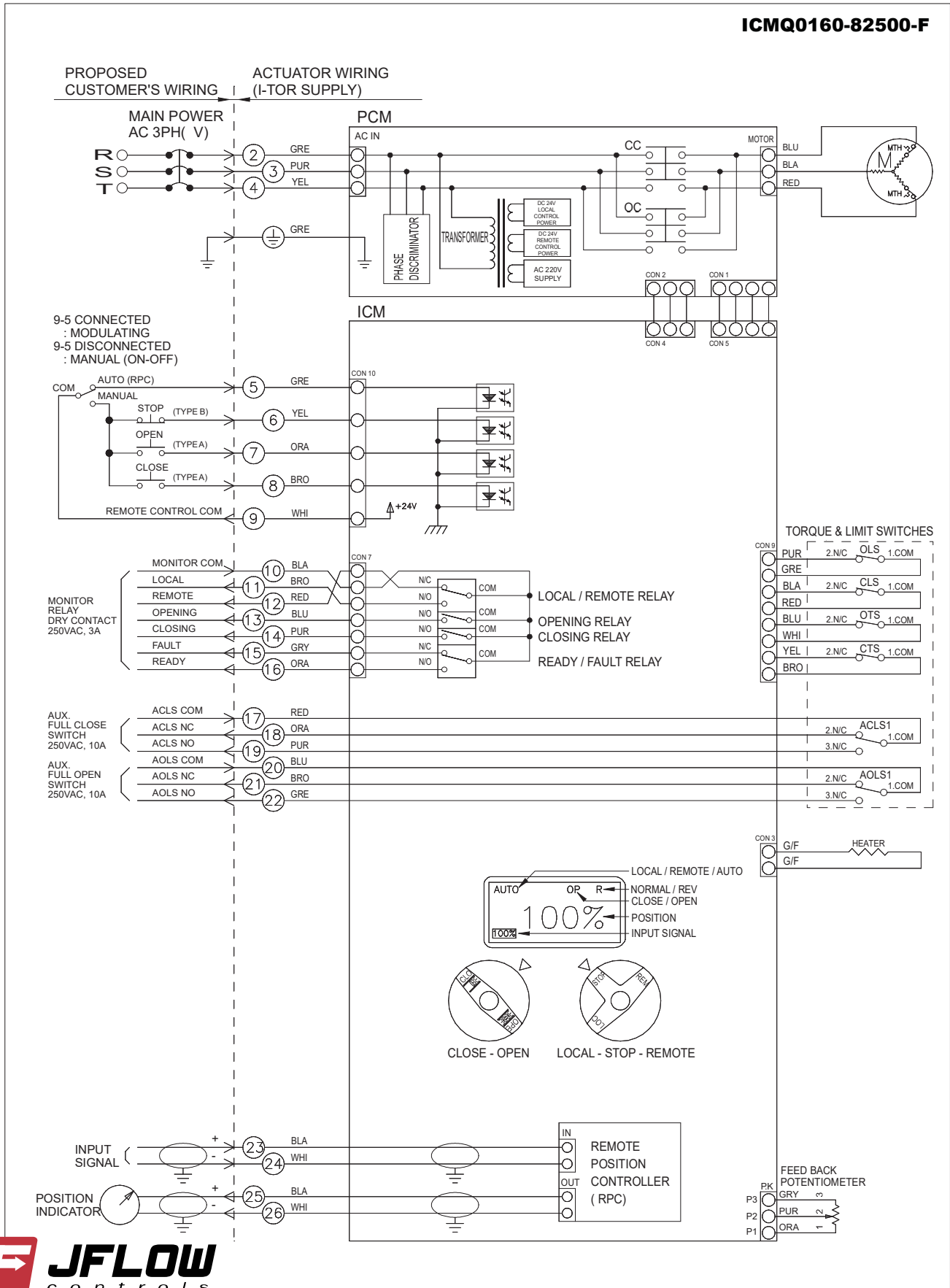


- * Each actuator should be powered through its own individual switch or relay contacts to prevent cross feed between two or more actuators.
- * In case of 3ph actuator, make sure to place actuator on the middle of travel angle before electrical operation to avoid "Jamming"
- * All internal wiring is done as color coding.



TYPICAL WIRING (ICM2 for 3phase)

ICMQ0160-82500-F



Additional Jflow Controls Products

MULTI-TURN Electric Actuator



0180 / 0450 / 0750 / 1800 / 3000



The details of this catalog are subject to change without prior notification.



The Right Valve • The Right Application • Right now!

4665 Interstate Drive - Cincinnati OH 45246

TOLL FREE PHONE: 866.95J.FLOW

Phone: 513.731.2900 - Fax: 513.731.6939