

JFD Series

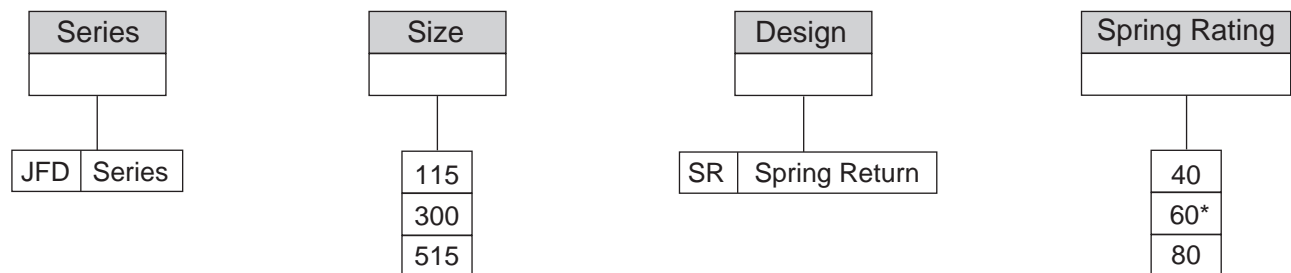
Spring and Diaphragm Actuators

DESIGN FEATURES

- ISO 5211 mounting top and bottom
- Female Star Drive
- NAMUR accessory mounting drilling top and bottom
- Adjustable Travel Stops for both fully open and fully closed positions
- High Cycle Life Design
- Low Maintenance
- Rolling diaphragm for linear torque output for accurate control
- One piece diaphragm retainer and Nylon bearings for low friction, smooth operation, and long cycle life
- Field Reversible for fail open/closed on rotary control valves and high performance butterfly valves
- Heavy duty ductile iron drive housing and carbon steel diaphragm casing
- Corrosion resistant epoxy paint and stainless steel external fasteners
- Wide range of Springs 40PSI, 60 PSI and 80 PSI



ORDERING SCHEMATIC



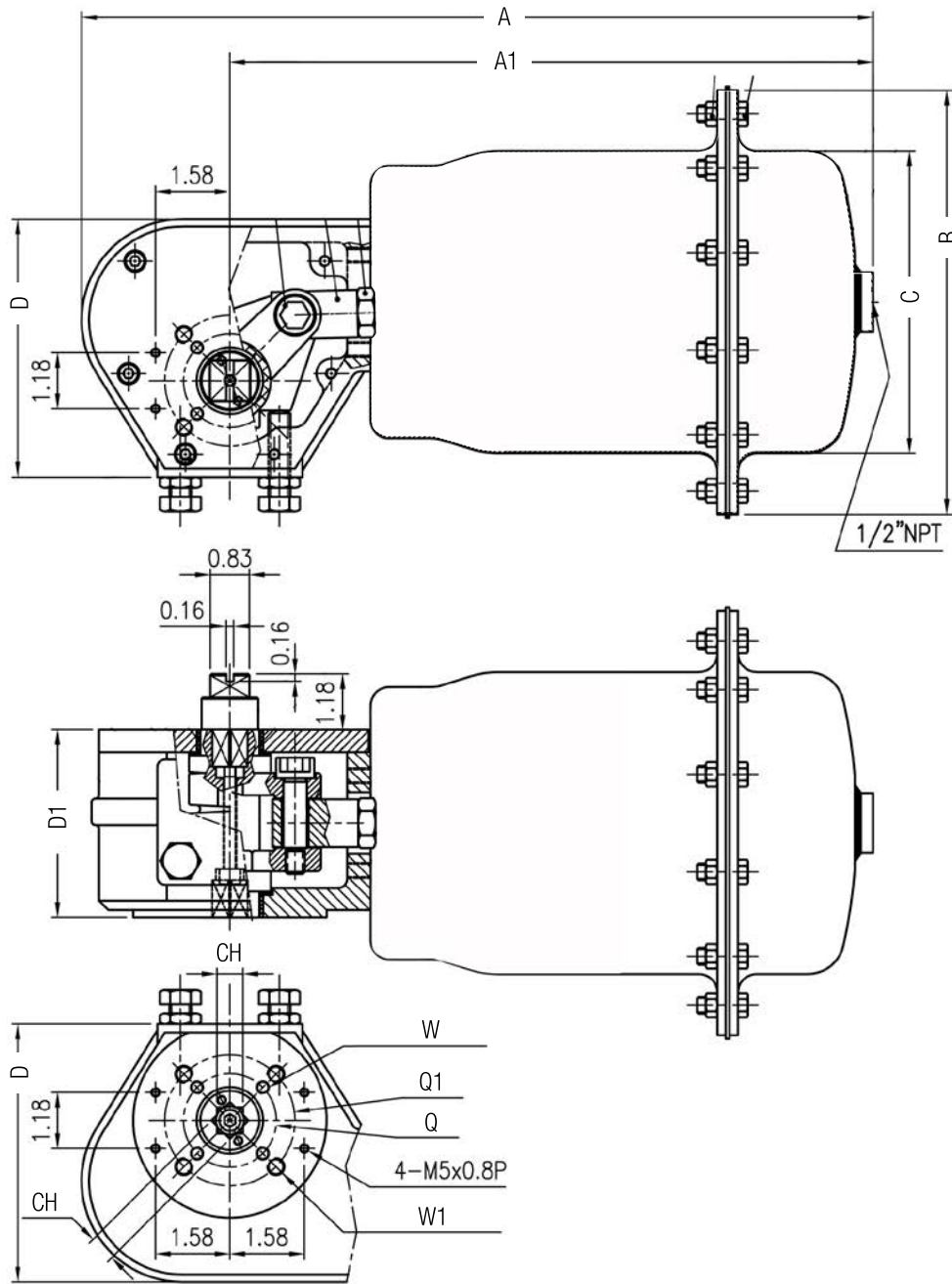
*Standard 60 PSIG Spring



The Right Valve • The Right Application • Right now!

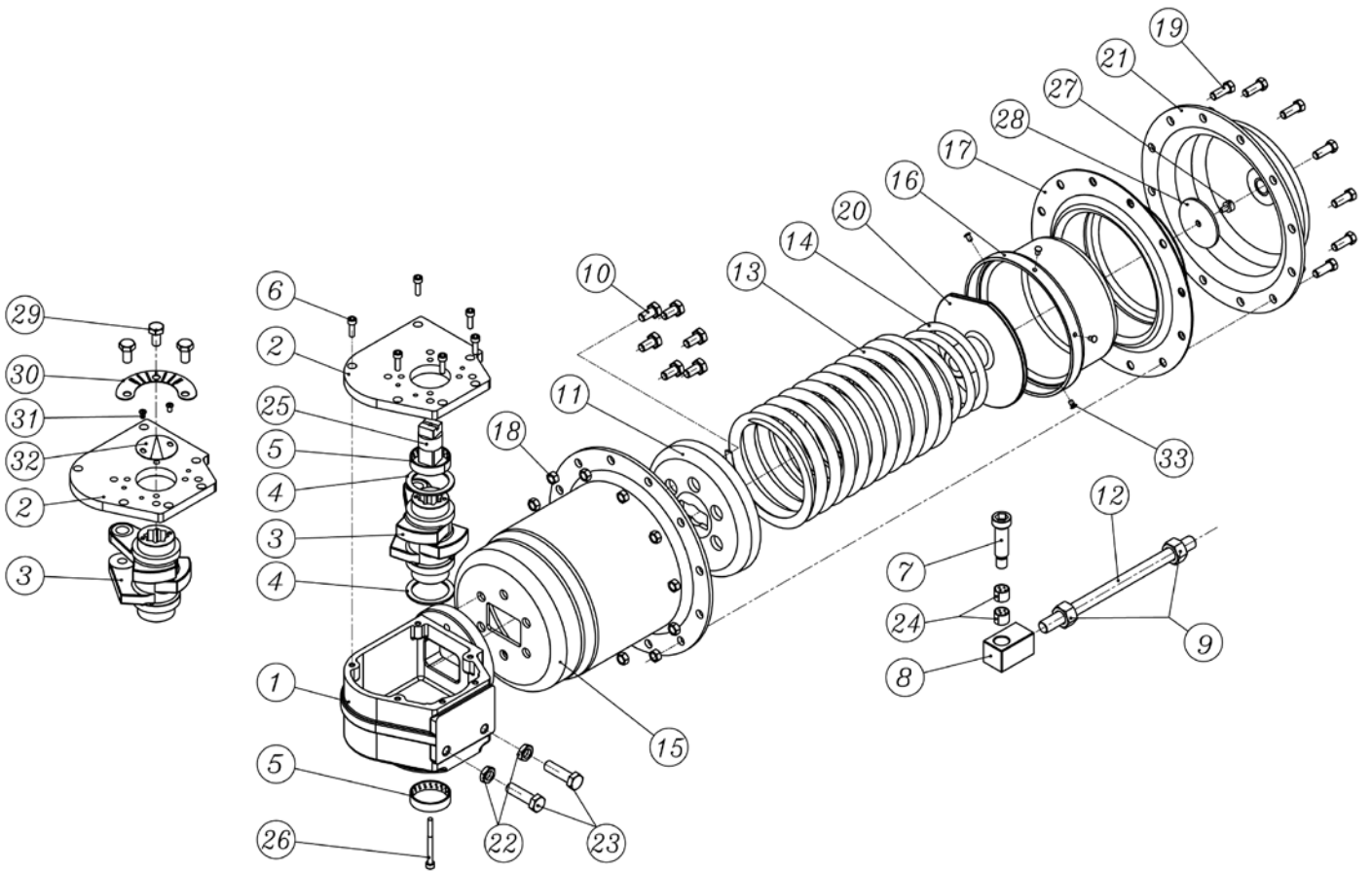
J Flow Controls, LLC
 14 De Camp • Cincinnati, OH 45216
 Phone: 513-731-2900 • Fax 513-731-6939
www.jflowcontrols.com

DIMENSIONS



Size	A	A1	B	C	D	D1	Q	Q1	W	W1	CH	ISO 5211	Weight (lbs.)
JFD115SR	16.76	13.62	8.94	6.36	5.44	3.96	1.97	2.76	1/4-20 UNC	5/16-18 UNC	0.55	F05/F07	29
JFD300SR	19.38	15.87	10.75	7.76	6.36	4.41	2.76	4.02	5/16-18 UNC	3/8-16 UNC	0.87	F07/F10	73
JFD515SR	27.19	22.13	12.14	15.01	9.16	6.52	4.02	4.93	3/8-16 UNC	1/2-13 UNC	1.06	F10/F12	237

JFD ACTUATOR EXPLODED VIEW



NO.	NAME OF PARTS	MATERIALS	
1	DRIVE BODY	DUCTILE IRON	1
2	DRIVE CAP	ANSI 1010	1
3	DRIVE STEM	DUCTILE IRON	1
4	BEARING	--	2
5	THRUST WASHER	POM	2
6	BODY BOLTS	SS 304	3
7	DRIVE PIN	ANSI 4135	1
8	ADAPTER	ANSI 1045	1
9	NUT	2H	2
10	BOLTS	B7	6
11	SPRING (BASE)	ANSI 1010	1
12	SHAFT	ANSI 4135	1
13	SPRING (LARGE)	JIS SUP3	1
14	SPRING (SMALL)	JIS SUP3	1
15	SPRING BOX	ANSI 1010	1
16	SPRING COVER	ANSI 1010	1

NO.	NAME OF PARTS	MATERIALS	
17	DIAPHRAGM	RUBBER	1
18	NUT	2H	12
19	BOLTS	B7	12
20	SPRING BRACKET	DUCTILE IRON	1
21	DIAPHRAGM COVER	ANSI 1010	1
22	NUT	CARBON STEEL	2
23	ADJUST BOLT	CARBON STEEL	2
24	BEARING	--	2
25	ADAPTER	CARBON STEEL	1
26	BOLT	SS 304	1
27	BOLT	SS 304	1
28	DIAPHRAGM WASHER	SS 304	1
29	BOLTS	SS 304	3
30	INDICATOR PLATE	ALUMINUM	1
31	BOLTS	SS 304	2
32	INDICATOR POINTER	ALUMINUM	1
33	NYLON GUIDE	NYLON	6

SPECIFICATIONS:

Part #	Total Volume In ³	Swept Volume In ³	Air Stroke (seconds)*	Spring Stroke (seconds)*	Effective Diaphragm Area-in ²
JFD115SR	65	41	2	2	19
JFD300SR	199	138	5	1.5	39
JFD515SR	719	535	3	2	99

*Times may vary due to application.

TORQUES (IN-LBS):

Part #	40 PSI		60 PSI		80 PSI	
	Spring End	Air End	Spring End	Air End	Spring End	Air End
JFD115	135	259	309	309	465	319
JFD300	695	795	1,385	995	1,795	1,409
JFD515	3,179	3,695	4,865	5,509	6,765	7,095

Wide range of readily available STANDARD options such as:

- Direct mount declutchable and end mount manual overrides.
- NAMUR and non-NAMUR Limit switches, positioners, and/or position transmitters
- Pipe nipple mounted solenoid valves
- Stainless steel tubing and fittings

J-Flow Actuators, Matched for High Performance

J-Flow manufactures J-Torq™ actuators in three different versions:

- J-Flow's JFD Spring & Diaphragm Actuator for compact, precise control in easy field changeable fail open and fail closed. Actuator to valve mounting complies with ISO 5211 standard and positioner mounting complies with NAMUR standard. Three different sizes are available for actuation up through 12" J-Flow DM9900F segmented V-Ball control valves.
- J-Flow's JFC Double Rack and Pinion Actuator for compact, precise control in both double acting and spring return designs. Actuator to valve mounting complies with ISO 5211 standard and positioner mounting complies with NAMUR standard. Several different sizes are available for actuation up through 12" J-Flow DM9900F segmented V-Ball control valves.
- J-Flow's larger JFE Electric Actuator for compact, precise control in both fail last and fail (open or closed). Control boards are available for a variety of input and output control signals. Actuator to valve mounting complies with ISO 5211. Optional enclosures are available to meet many of the required electrical area classifications. Several different



The Right Valve • The Right Application • Right now!

J Flow Controls, LLC
 14 De Camp • Cincinnati, OH 45216
 Phone: 513-731-2900 • Fax 513-731-6939
www.jflowcontrols.com