



DESCRIPTION

- 2 - Piece Fire-Safe Ball Valve
- Full Port
- 1/4" - 2"
- 3000 PSI (WOG)

FSLD3900 Series

CERTIFICATIONS

- Valve Body: ASME B16.34
- Valve Test: API 598 and MSS SP-72
- Anti-Static: API 608
- Fire-Safe: API 607 4th Edition
- Explosion Prevention: ATEX Directive 94/9/EC
- Approved According to European Directive 97/23/EC
- End Connections: ASME B16.34

OPTIONS

- DELRIN / PEEK
- CF8M / WCB
- CRN # Available

FEATURES AND BENEFITS

- Body and End Caps High Quality Investment Cast
- Available in Stainless Steel and Carbon Steel
- Blow-Out Proof Stem Design
- Fire-Safe Design
- Includes Fire-Safe Lip, Graphite Seals, and Anti-Static Devices
- Temperature Range: -20°F to 625°F
- End Type: NPT / BSPT
- Pressure Rating: 3000 psi (WOG)

HOW TO ORDER

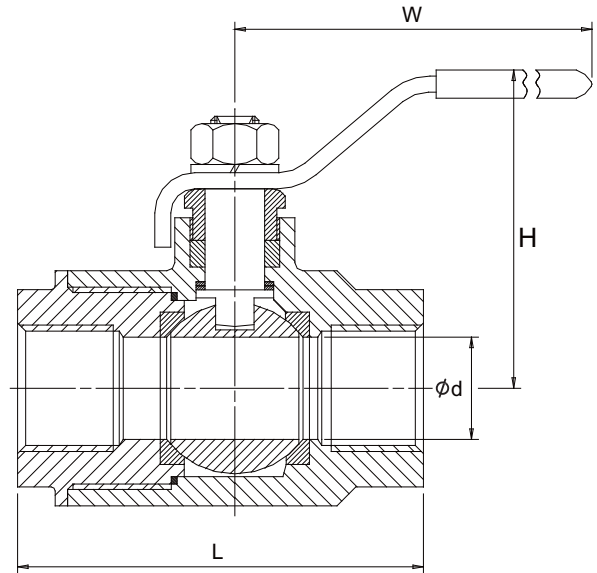
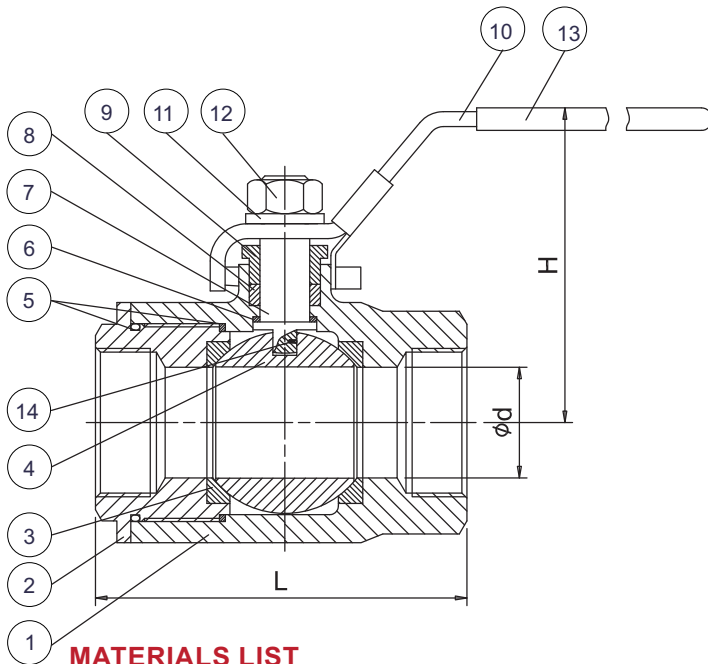
Example: 100-FSLD3933FPGGDEFPTNANA

VALVE SIZE		PRODUCT SERIES	BODY MATERIAL	BALL/STEM MATERIAL	PORT	PACKING / BODY SEAL MATERIAL
025	1/4" 100 1"	FSLD39	2 WCB	3 CF8M	FP Full Port	GG Graphite
038	3/8" 125 1-1/4"		3 CF8M			
050	1/2" 150 1-1/2"					
075	3/4" 200 2"					

For PEEK Seats, consult factory on delivery.

SEAT MATERIAL	END CONNECTIONS	MATERIAL OPTIONS	DESIGN OPTIONS
DE DELRIN DV DEVLON PK PEEK	FPT Female NPT	NA Standard	NA Standard

FSLD3900 Series Valves



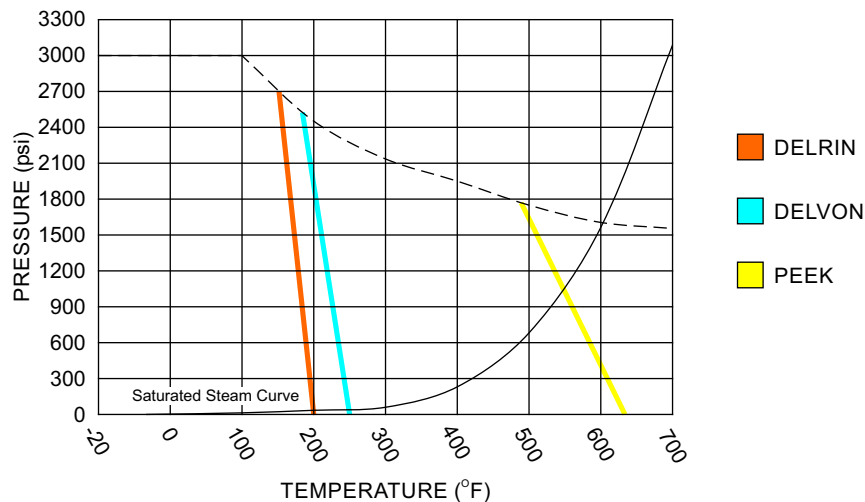
MATERIALS LIST

PART	PART NAME	MATERIALS
1	BODY	CF8M / WCB
2	END CAP	CF8M / WCB
3	BALL SEAT	DELRIN / PEEK
4	SOLID BALL	CF8M / CF8
5	BODY SEAL	GRAPHITE & VITON
6	THRUST WASHER	GRAPHITE & PTFE
7	STEM	SS 316 / SS 304
8	STEM PACKING	GRAPHITE
9	BELLEVILLE SPRING	SS 301
10	HANDLE	SS 304
11	SPRING WASHER	SS 304
12	NUT	SS 304
13	HANDLE SLEEVE	VINYL
14	ANTI-STATIC	SS 316

DIMENSIONS (in)

SIZE	d	L	W	H
1/4"	0.45	3.00	5.04	2.36
3/8"	0.50	3.00	5.04	2.36
1/2"	0.50	3.11	5.04	2.36
3/4"	0.75	3.70	5.90	2.68
1"	1.00	4.02	6.61	3.15
1-1/4"	1.26	4.55	6.61	3.39
1-1/2"	1.50	4.88	10.23	4.76
2"	1.75	5.87	10.23	4.96

PRESSURE / TEMPERATURE CHART



While the information and specifications contained in this literature are believed to be accurate, they are supplied for informative purposes only and should not be considered certified or a guarantee of satisfactory results. Nothing contained herein is to be construed as a warranty or guarantee, express or implied, regarding any matter with respect to this product. Because J Flow Controls is continually improving and upgrading its product design, the specifications, dimensions and information contained herein are subject to change without notice.