



DESCRIPTION

- 1 - Piece Fire-Safe Ball Valve
- Reduced Port
- 1/4" - 2"
- 2000 PSI (WOG)

FSLD1100 SERIES

CERTIFICATIONS

- Valve Body: ASME B16.34
- Material Certification: EN10204-3.1 MTR
- Steel Casting: MSS SP-55
- Valve Marking: MSS SP-25
- Valve Test: API 598
- Anti-Static: API 608
- End Connections: ASME B1.20.1
- CRN Registered

OPTIONS

- RPTFE / TFM1600
- CF8M / WCB
- Oval Handle

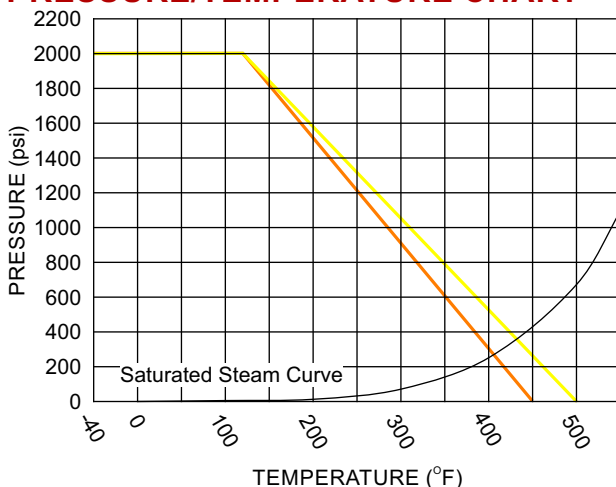
FEATURES AND BENEFITS

- Applications such as Hydraulic, Chemical, Steam, Oil/Gas, and Oxygen
- Body and End Caps High Quality Investment Cast
- Available in Stainless Steel and Carbon Steel
- Blow-Out Proof Stem Design
- Fire-Safe Design
- Screw-In Retainer Design Provides Extra Body Strength and Lowers Leaking Possibility
- Temperature Range: -40°F to 500°F
- End Type: NPT
- Pressure Rating:

2000 psi WOG

150 psi with Saturated Steam

PRESSURE/TEMPERATURE CHART



■ RPTFE

■ TFM1600

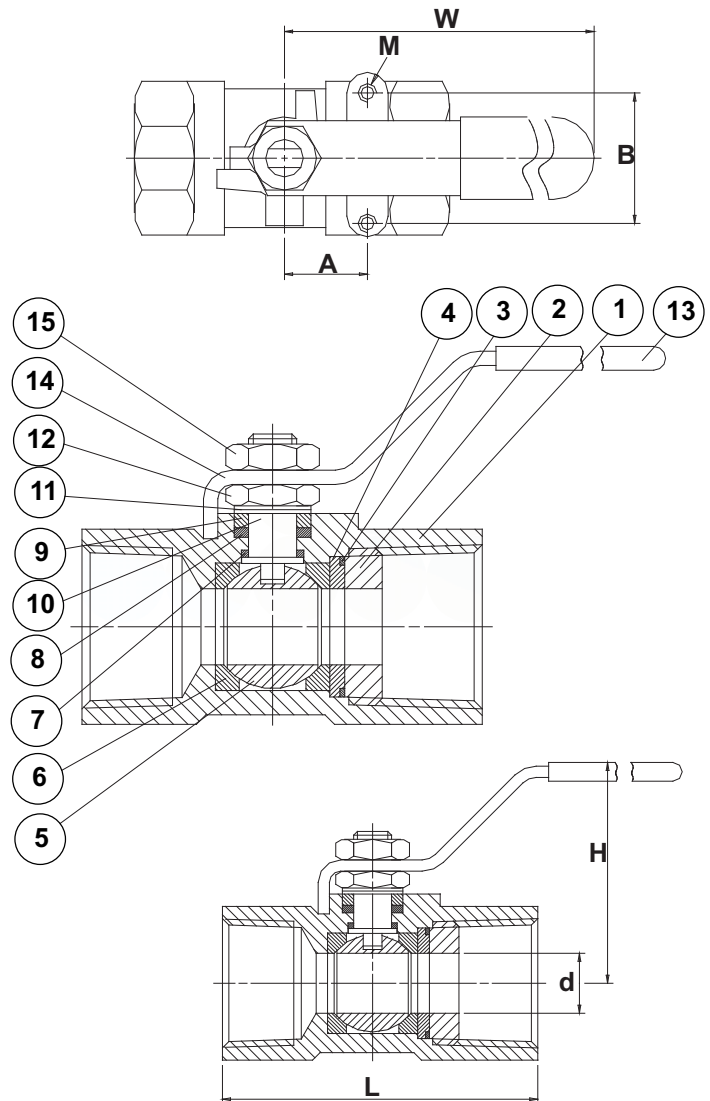
FSLD1100 Series Valves

DIMENSIONS (in)

SIZE	d	L	H	W	A	B	M
¼"	0.36	2.64	1.81	4.33	0.50	1.12	10-24UNC
⅜"	0.36	2.64	1.81	4.33	0.50	1.12	10-24UNC
½"	0.36	2.64	1.81	4.33	0.50	1.12	10-24UNC
¾"	0.49	2.80	1.97	4.33	0.50	1.12	10-24UNC
1"	0.63	3.31	2.36	5.51	0.87	1.37	10-24UNC
1¼"	0.79	3.70	2.56	5.51	0.87	1.37	10-24UNC
1½"	0.96	3.94	2.83	6.30	0.93	1.50	¼"-24UNC
2"	1.26	4.65	3.07	6.30	0.93	1.50	¼"-24UNC

MATERIALS LIST

NO.	PART NAME	MATERIAL
1	BODY	CF8M / WCB
2	RETAINER	SS 316
3	BODY SEAL	GRAPHITE
4	SEAT RETAINER	SS 316
5	SOLID BALL	CF8M
6	BALL SEAT	RPTFE
7	THRUST WASHER	PTFE / GRAPHITE
8	STEM PACKING	GRAPHITE
9	GLAND RING	SS 304
10	STEM	SS 316
11	BELLEVILLE SPRING	SS 301
12	NUT	SS 304
13	HANDLE SLEEVE	VINYL
14	HANDLE	SS 304
15	HANDLE NUT	SS 304



HOW TO ORDER

Example: 100-FSLD1133RPGGRTFPTNANA

VALVE SIZE	PRODUCT SERIES	BODY MATERIAL	BALL/STEM MATERIAL	PORT	PACKING/BODY SEAL MATERIAL	SEAT MATERIAL
025 ¼" 100 1"	FSLD11	2 WCB	3 CF8M	RP Reduced Port	GG Graphite	RT RPTFE
038 ⅜" 125 1¼"		3 CF8M				TM TFM1600
050 ½" 150 1½"						
075 ¾" 200 2"						

END CONNECTIONS	MATERIAL OPTIONS	DESIGN OPTIONS
FPT Female NPT	NA Standard	NA Standard
FMT Female Metric THD		

While the information and specifications contained in this literature are believed to be accurate, they are supplied for informative purposes only and should not be considered certified or a guarantee of satisfactory results. Nothing contained herein is to be construed as a warranty or guarantee, express or implied, regarding any matter with respect to this product. Because J Flow Controls is continually improving and upgrading its product design, the specifications, dimensions and information contained herein are subject to change without notice.