



## DESCRIPTION

- Double Block and Bleed Ball Valve
- Direct Mount
- Full Port
- 1/2" - 4"

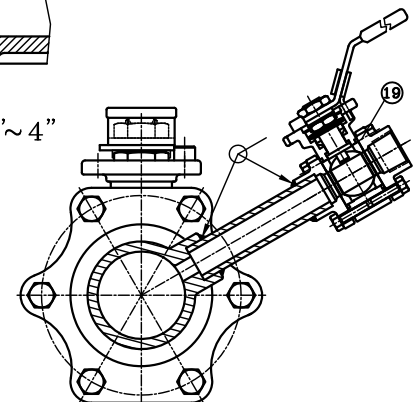
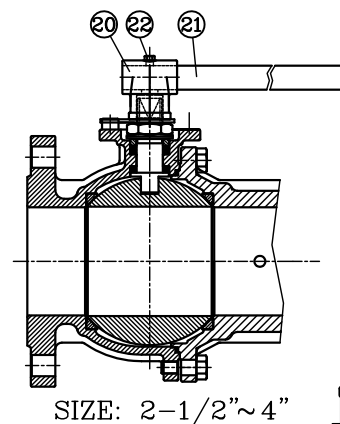
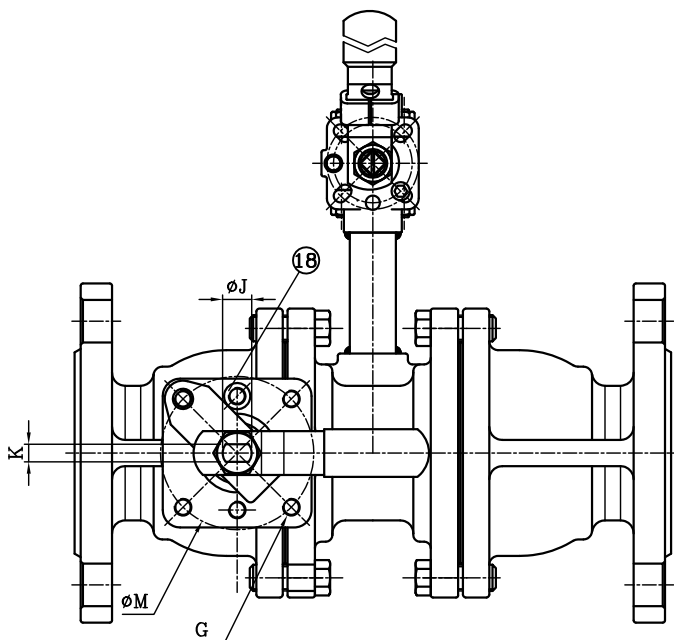
# DBDM2500 Series

## CERTIFICATIONS

- Face to Face Dimension: ANSI B16.10
- Flanged Dimension: ANSI B16.5
- Wall Thickness: ANSI B16.34
- Flanged Finish: MSS SP-6
- Pressure Test and Inspection: API 598

## FEATURES AND BENEFITS

- Available in Stainless Steel or Carbon Steel
- Body and End Caps Are Investment Cast
- Self Adjusting Stem Packing
- Blow-Out Proof Stem Design
- ISO 5211 Mounting Pad
- Spring Return (Dead Man) Handle

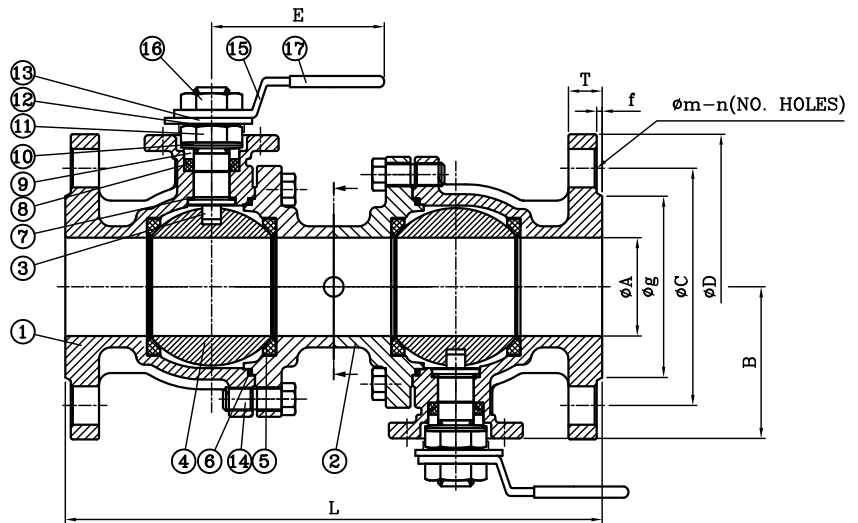


While the information and specifications contained in this literature are believed to be accurate, they are supplied for informative purposes only and should not be considered certified or a guarantee of satisfactory results. Nothing contained herein is to be construed as a warranty or guarantee, express or implied, regarding any matter with respect to this product. Because J Flow Controls is continually improving and upgrading its product design, the specifications, dimensions and information contained herein are subject to change without notice.

# DBDM2500 Series Valves

## MATERIALS LIST

ITEM	PART NAME	MATERIALS
1	BODY	CF8M / WCB
2	BLEED	CF8M / WCB
3	STEM	SS 316
4	BALL	SS 316
5	BALL SEATS	TFM
6	GASKET	TFM
7	THRUST WASHER	TFM
8	STEM PACKING	TFM
9	GLAND	SS 304
10	DISK WASHER	SS 310
11	STEM NUT	SS 304
12	NUT LOCK	SS 304
13	STOP PLATE	SS 304
14	BOLTS	SS 304
15	HANDLE	SS 304
16	HANDLE NUT	SS 304
17	HANDLE COVER	PLASTISOL
18	STOP PIN	SS 304
19	DM4600 BALL VALVE	-
20	LEVER HEAD	CF8
21	LEVER	STEEL PIPE
22	LEVER HEAD BOLTS	CF8



## DIMENSIONS (in)

SIZE	A	B	E	M	G	J	K	L	(CLASS 150) FLANGE DIMENSIONS						
									D	C	m	n	t	g	f
1/2"	0.59	1.36	5.71	1.65	M5	0.39	0.38	6.50	3.50	2.38	0.63	4	0.44	1.38	0.06
3/4"	0.79	1.54	5.71	1.65	M5	0.39	0.38	6.89	3.86	2.76	0.63	4	0.44	1.69	0.06
1"	0.98	1.73	7.68	1.97	M6	0.55	0.38	7.32	4.25	3.13	0.63	4	0.44	2.01	0.06
1-1/4"	1.26	1.93	7.68	1.97	M6	0.55	0.38	8.19	4.61	3.50	0.63	4	0.50	2.52	0.06
1-1/2"	1.50	2.68	9.84	2.76	M8	0.71	0.38	9.45	5.00	3.88	0.63	4	0.56	2.87	0.06
2"	1.97	3.03	9.84	2.76	M8	0.71	0.38	10.24	5.98	4.74	0.75	4	0.63	3.62	0.06
2-1/2"	2.56	3.52	12.20	4.02	M10	0.79	0.47	12.17	7.01	5.49	0.75	4	0.70	4.13	0.06
3"	3.07	3.94	12.20	4.02	M10	0.79	0.47	13.98	7.48	6.00	0.75	4	0.75	5.00	0.06
4"	3.94	4.74	12.20	4.02	M10	0.94	0.59	16.14	9.02	7.50	0.75	8	0.94	6.18	0.06

## HOW TO ORDER

Example: 100-DBDM2533FPTMTMF15NANA

VALVE SIZE	PRODUCT SERIES	BODY MATERIAL	BALL/STEM MATERIAL	PORT	PACKING / BODY SEAL MATERIAL
050 1/2" 200 2"	DBDM25	2 WCB	3 CF8M	FP Full Port	TM TFM1600
075 3/4" 250 2-1/2"		3 CF8M			
100 1" 300 3"					
125 1-1/4" 400 4"					
150 1-1/2"					

SEAT MATERIAL	END CONNECTIONS	MATERIAL OPTIONS	DESIGN OPTIONS
TM TFM1600	F15 ANSI 150 RF Flange	NA Standard	NA Standard